



SLOVENSKI STANDARD
SIST EN 1280-1:2000/A1:2000
01-november-2000

G]ghYa]'nU'buU]j Ub'Y'dcgYVb] \ `Udb] `UbYghYh]_cj `j `UbYghYn]g_Y\ `Ud]`b]_Y
fj Udcf]nUrcf'Y'!'%'XY.'G]ghYa]'g'dfUj c_ctb]a]]j h_U]

Agent specific filling systems for anaesthetic vaporizers - Part 1: Rectangular keyed filling systems

Substanzspezifische Füllsysteme für Anästhesiemittelverdampfer - Teil 1: Rechteckige Kodierte Füllsysteme

ITeh STANDARD PREVIEW

Systemes de remplissage spécifiques a l'agent pour évaporateurs d'anesthésie - Partie 1: Systemes de remplissage a clavettes rectangulaires

[SIST EN 1280-1:2000/A1:2000](https://standards.iteh.ai/catalog/standards/sist/ab17bd44-eeeb-466b-a161-b998a257d5c/sist-en-1280-1-2000-a1-2000)

Ta slovenski standard je istoveten z: **EN 1280-1:1997/A1:2000**

ICS:

11.040.10

SIST EN 1280-1:2000/A1:2000

en

iTeh STANDARD PREVIEW
(standards.iteh.ai)

SIST EN 1280-1:2000/A1:2000

<https://standards.iteh.ai/catalog/standards/sist/ab17bd44-eeeb-466b-a161-b998ba257d5c/sist-en-1280-1-2000-a1-2000>

ICS 11.040.10

English version

Agent specific filling systems for anaesthetic vaporizers - Part 1:
Rectangular keyed filling systems

Systèmes de remplissage spécifiques à l'agent pour
évaporateurs d'anesthésie - Partie 1: Systèmes de
remplissage à clavettes rectangulaires

Substanzspezifische Füllsysteme für
Anästhesiemittelverdampfer - Teil 1: Rechteckige Kodierte
Füllsysteme

This amendment A1 modifies the European Standard EN 1280-1:1997; it was approved by CEN on 10 April 2000.

CEN members are bound to comply with the CEN/CENELEC Internal Regulations which stipulate the conditions for inclusion of this amendment into the relevant national standard without any alteration. Up-to-date lists and bibliographical references concerning such national standards may be obtained on application to the Central Secretariat or to any CEN member.

This amendment exists in three official versions (English, French, German). A version in any other language made by translation under the responsibility of a CEN member into its own language and notified to the Central Secretariat has the same status as the official versions.

CEN members are the national standards bodies of Austria, Belgium, Czech Republic, Denmark, Finland, France, Germany, Greece, Iceland, Ireland, Italy, Luxembourg, Netherlands, Norway, Portugal, Spain, Sweden, Switzerland and United Kingdom.

iTeh STANDARD PREVIEW
(standards.iteh.ai)



SIST EN 1280-1:2000/A1:2000

<https://standards.iteh.ai/catalog/standards/sist/ab17bd44-eceb-466b-a161-b998ba257d5c/sist-en-1280-1-2000-a1-2000>

EUROPEAN COMMITTEE FOR STANDARDIZATION
COMITÉ EUROPÉEN DE NORMALISATION
EUROPÄISCHES KOMITEE FÜR NORMUNG

Central Secretariat: rue de Stassart, 36 B-1050 Brussels

Foreword

This Amendment EN 1280-1:1997/A1:2000 to the EN 1280-1:1997 has been prepared by Technical Committee CEN/TC 215 "Respiratory and anaesthetic equipment", the secretariat of which is held by BSI.

This Amendment to the European Standard EN 1280-1:1997 shall be given the status of a national standard, either by publication of an identical text or by endorsement, at the latest by November 2000, and conflicting national standards shall be withdrawn at the latest by November 2000.

This Amendment to the European Standard EN 1280-1:1997 has been prepared under a mandate given to CEN by the European Commission and the European Free Trade Association, and supports essential requirements of EU Directive(s).

According to the CEN/CENELEC Internal Regulations, the national standards organizations of the following countries are bound to implement this European Standard: Austria, Belgium, Czech Republic, Denmark, Finland, France, Germany, Greece, Iceland, Ireland, Italy, Luxembourg, Netherlands, Norway, Portugal, Spain, Sweden, Switzerland and the United Kingdom.

NOTE: The purposes of this amendment are to:

- a) Correct an error in table 1 (already corrected in the corresponding ISO 5360: 1993 by ISO Technical Corrigendum 1: 1998), and;*
- b) Correct a number of errors in figures 6, 7 and 8 introduced when importing the drawings from ISO 5360.*

REVISED TEXT

Table 1

In row 8 (sevoflurane), change the value for d_{\max} from '32,0' to '28,0'.

Figure 6 Delete the existing figure 6 and replace it with the corrected figure attached.

Note: The differences are the designation of the inner, not the outer, diameters in both drawings and the tolerance on the diameter '35' in the lower drawing.

Figure 7 Delete the existing figure 7 and replace it with the corrected figure attached.

Note: The differences are the corrected value "6,35" in the drawing at top left, and the leader lines relating to items 5 and 6 and to dimensions '13' and '1,55' in the lower drawing.

Figure 8 Delete the existing figure 8 and replace it with the corrected figure attached.

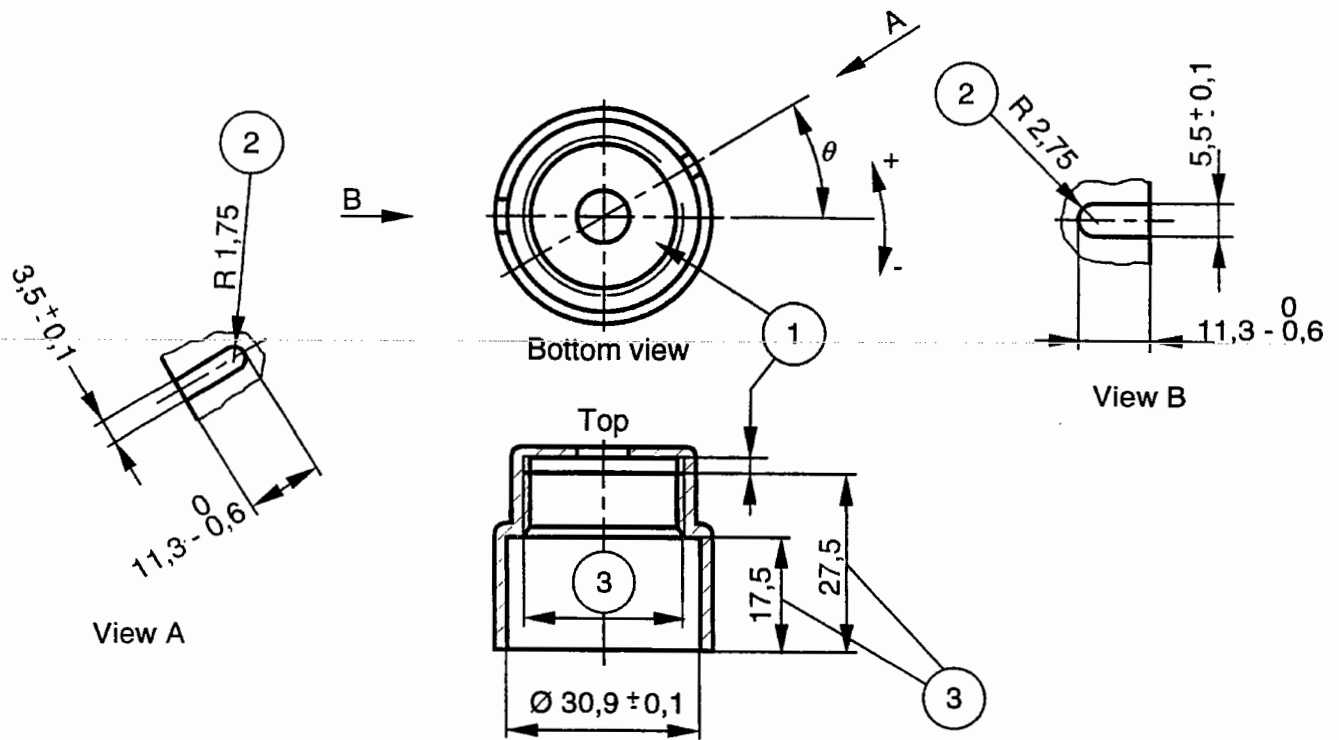
Note: The differences are the leader lines relating to items 5 and 6 and to dimension '9,8'.

iTech STANDARD PREVIEW
(standards.itech.ai)

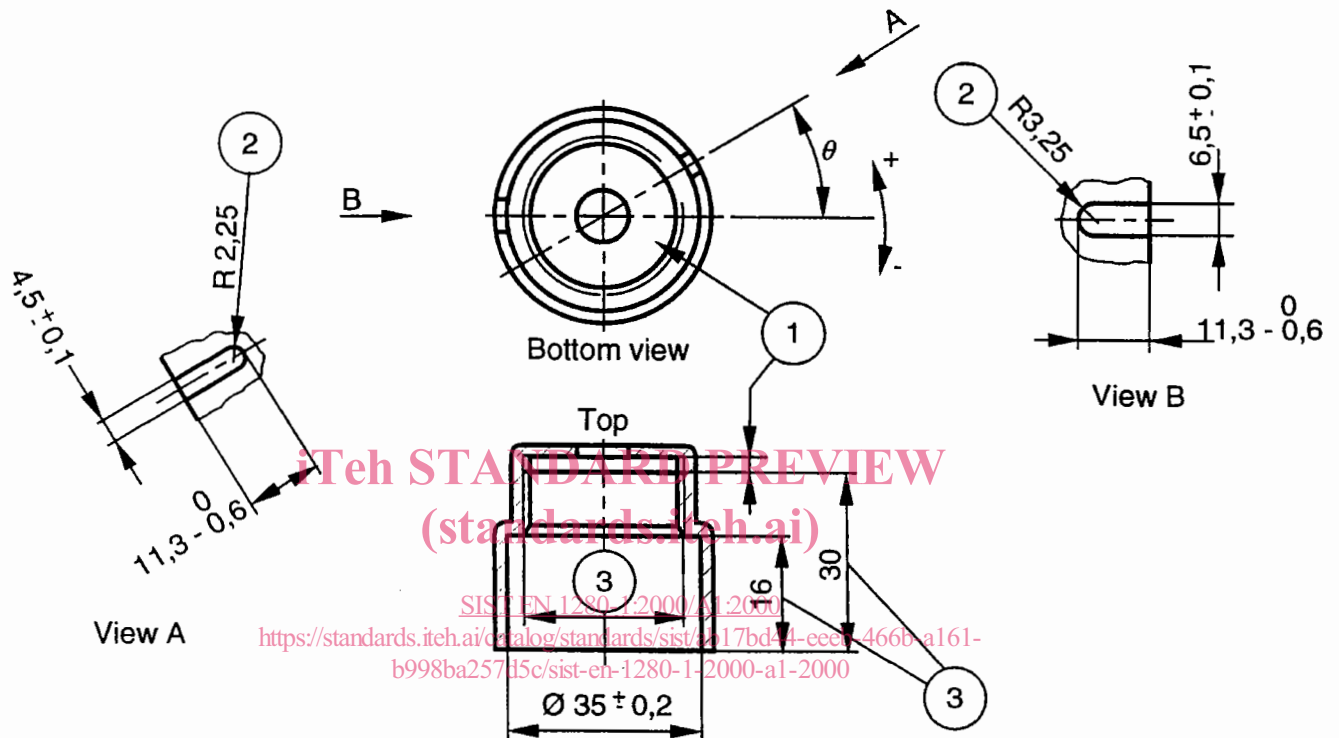
SIST EN 1280-1:2000/A1:2000

<https://standards.itech.ai/catalog/standards/sist/ab17bd44-eeeb-466b-a161-b998ba257d5c/sist-en-1280-1-2000-a1-2000>

Dimensions in millimetres



a) Connector for small bottles i.e. types 1 to 5 and 8



b) Connector for large bottles i.e. types 6 and 7

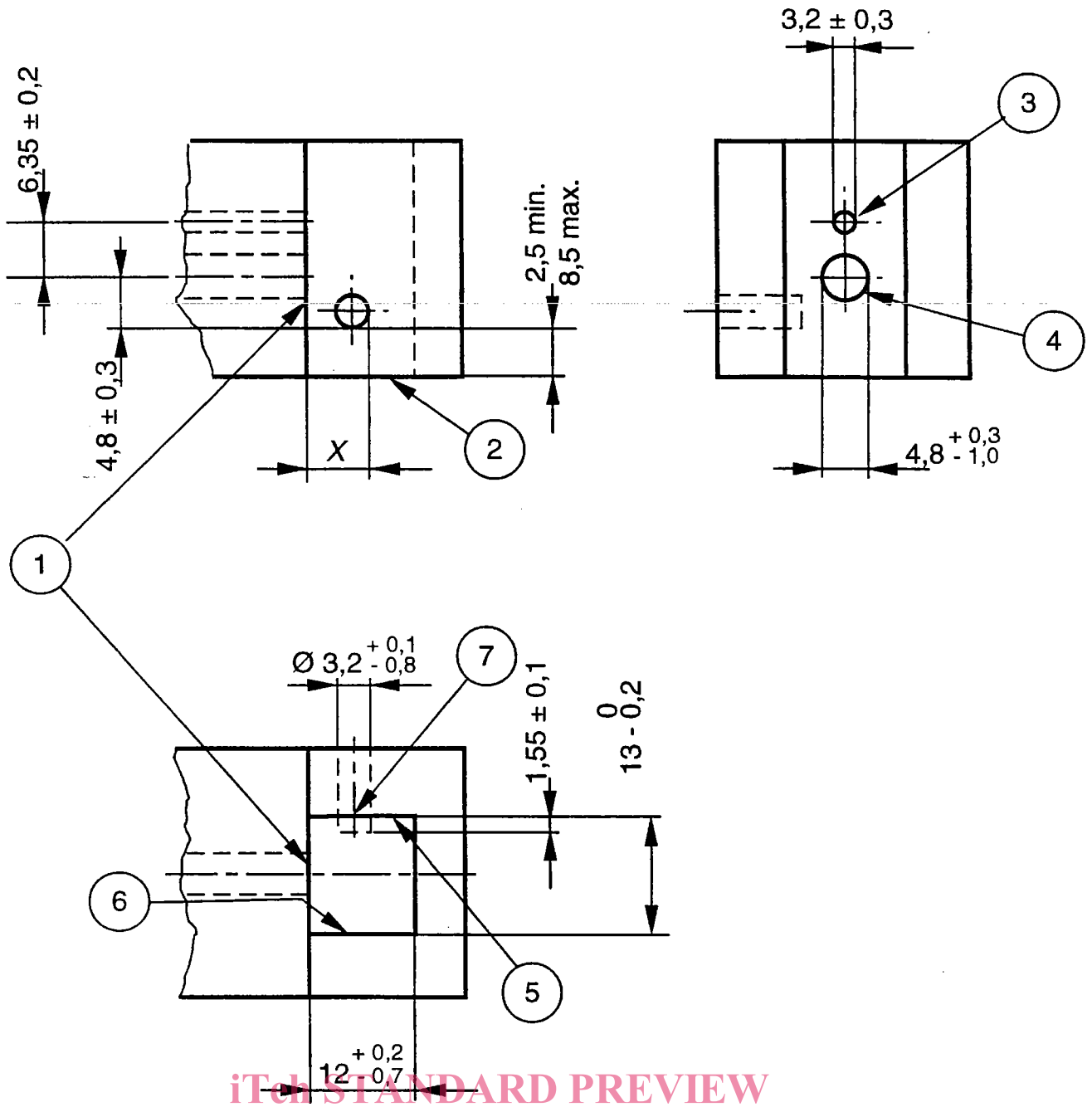
- 1 Space (not dimensioned) for sealing component.
- 2 Radius as given, or square corner.
- 3 Dimensions to suit bottle thread and bottle neck in accordance with table 1 and figure 1.

NOTE 1 See table 2 for values of angle θ .

NOTE 2 Drawings are first angle projection.

Figure 6 - Configuration and dimensions of agent-specific bottle connectors

Dimensions in millimetres



ITh STANDARD PREVIEW
 (standards.iteh.ai)

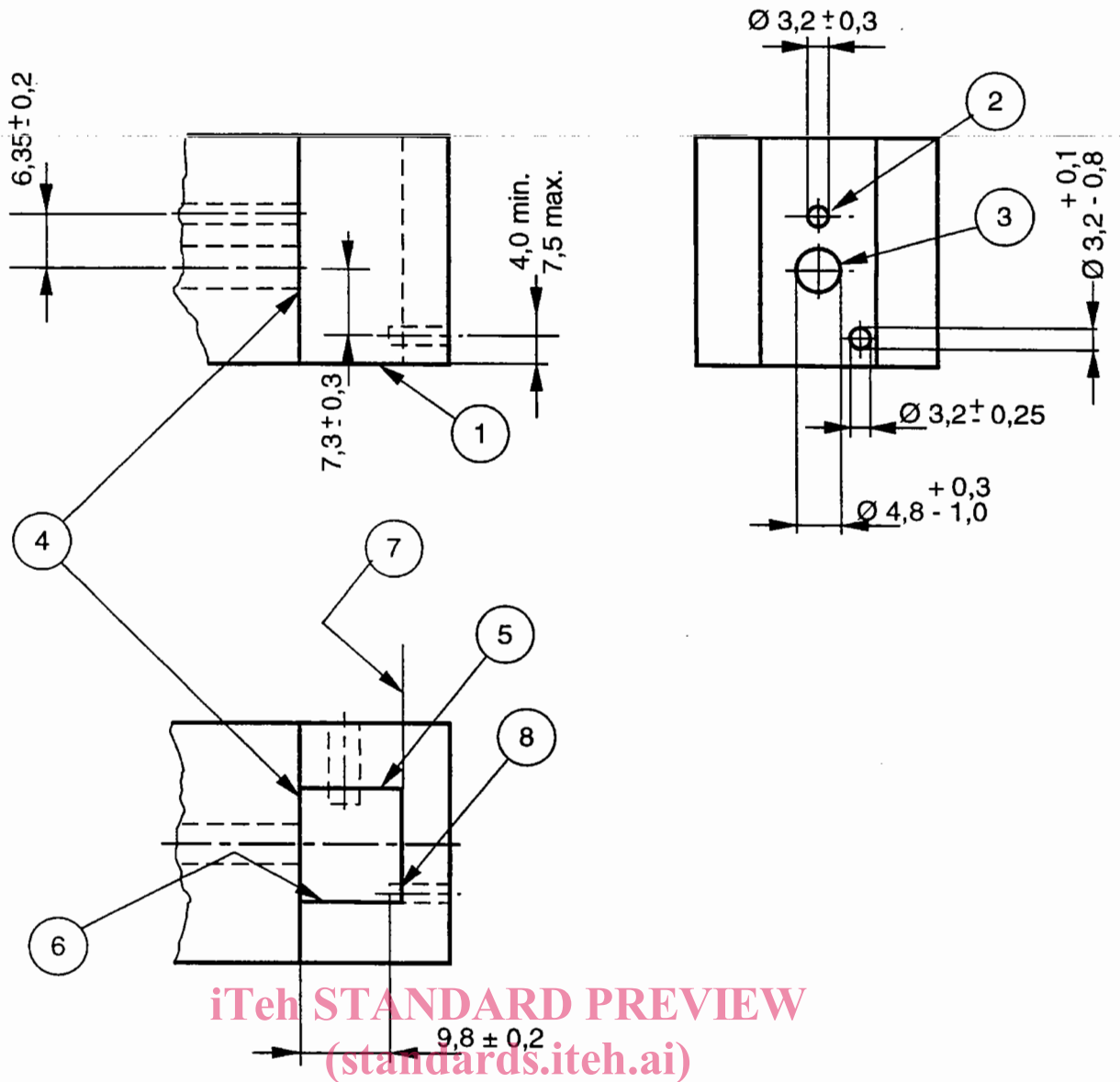
- 1 Sealing face, space (not dimensioned) for sealing component
 - 2 Front face
 - 3 Air/vapour port
 - 4 Liquid port
 - 5 Face A
 - 6 Face B
 - 7 Pin
- SIST EN 1280-1:2000/A1:2000
<https://standards.iteh.ai/catalog/standards/sist/ab17bd44-ecce-466b-a161-b998ba257d5c/sist-en-1280-1-2000-a1-2000>

NOTE 1 See also table 5 for dimensions of X and pin position in face A and/or B

NOTE 2 Drawings are first angle projection

NOTE 3 Port identification applies to filling procedure only

Figure 7 - Configuration and dimensions of agent-specific filler receptacles for use with enflurane, metoxyflurane and halothane



iTeh STANDARD PREVIEW
(standards.iteh.ai)

- 1 Front face
- 2 Air/vapour port
- 3 Liquid port
- 4 Sealing face, space (not dimensioned) for sealing component
- 5 Face A
- 6 Face B
- 7 Face C
- 8 Pin

SIST EN 1280-1:2000/A1:2000

<https://standards.iteh.ai/catalog/standards/sist/ab17bd44-eeeb-466b-a161-1280-1:2000/a1-2000>

NOTE 1 See table 6 for pin position in face A and/or B.

NOTE 2 See figure 7 for all other details.

NOTE 3 Drawings are first angle projection.

Figure 8 - Configuration and dimensions of agent-specific filler receptacles for use with isoflurane and sevoflurane