

INTERNATIONAL STANDARD



Flexible display devices – iTeh Standards
Part 6-1: Mechanical **stress** test methods – Deformation tests

(<https://standards.iteh.ai>)
Document Preview

[IEC 62715-6-1:2018](https://standards.iteh.ai/catalog/standards/iec/97726c09-3aa-4947-bb78-60e60910415f/iec-62715-6-1-2018)

<https://standards.iteh.ai/catalog/standards/iec/97726c09-3aa-4947-bb78-60e60910415f/iec-62715-6-1-2018>



THIS PUBLICATION IS COPYRIGHT PROTECTED

Copyright © 2018 IEC, Geneva, Switzerland

All rights reserved. Unless otherwise specified, no part of this publication may be reproduced or utilized in any form or by any means, electronic or mechanical, including photocopying and microfilm, without permission in writing from either IEC or IEC's member National Committee in the country of the requester. If you have any questions about IEC copyright or have an enquiry about obtaining additional rights to this publication, please contact the address below or your local IEC member National Committee for further information.

IEC Central Office
3, rue de Varembe
CH-1211 Geneva 20
Switzerland

Tel.: +41 22 919 02 11
info@iec.ch
www.iec.ch

About the IEC

The International Electrotechnical Commission (IEC) is the leading global organization that prepares and publishes International Standards for all electrical, electronic and related technologies.

About IEC publications

The technical content of IEC publications is kept under constant review by the IEC. Please make sure that you have the latest edition, a corrigenda or an amendment might have been published.

IEC Catalogue - webstore.iec.ch/catalogue

The stand-alone application for consulting the entire bibliographical information on IEC International Standards, Technical Specifications, Technical Reports and other documents. Available for PC, Mac OS, Android Tablets and iPad.

IEC publications search - webstore.iec.ch/advsearchform

The advanced search enables to find IEC publications by a variety of criteria (reference number, text, technical committee,...). It also gives information on projects, replaced and withdrawn publications.

IEC Just Published - webstore.iec.ch/justpublished

Stay up to date on all new IEC publications. Just Published details all new publications released. Available online and also once a month by email.

Electropedia - www.electropedia.org

The world's leading online dictionary of electronic and electrical terms containing 21 000 terms and definitions in English and French, with equivalent terms in 16 additional languages. Also known as the International Electrotechnical Vocabulary (IEV) online.

IEC Glossary - std.iec.ch/glossary

67 000 electrotechnical terminology entries in English and French extracted from the Terms and Definitions clause of IEC publications issued since 2002. Some entries have been collected from earlier publications of IEC TC 37, 77, 86 and CISPR.

IEC Customer Service Centre - webstore.iec.ch/csc

If you wish to give us your feedback on this publication or need further assistance, please contact the Customer Service Centre: sales@iec.ch.

[IEC 62715-6-1-2018](https://standards.iteh.ai/catalog/standards/iec/97726c09-3aa-4947-bb78-60e60910415f/iec-62715-6-1-2018)

<https://standards.iteh.ai/catalog/standards/iec/97726c09-3aa-4947-bb78-60e60910415f/iec-62715-6-1-2018>



IEC 62715-6-1

Edition 2.0 2018-04
REDLINE VERSION

INTERNATIONAL STANDARD



Flexible display devices –
Part 6-1: Mechanical **stress** test methods – Deformation tests

Document Preview

[IEC 62715-6-1:2018](https://standards.iteh.ai/catalog/standards/iec/97726c09-3aa-4947-bb78-60e60910415f/iec-62715-6-1-2018)

<https://standards.iteh.ai/catalog/standards/iec/97726c09-3aa-4947-bb78-60e60910415f/iec-62715-6-1-2018>

INTERNATIONAL
ELECTROTECHNICAL
COMMISSION

ICS 31.120

ISBN 978-2-8322-5629-9

Warning! Make sure that you obtained this publication from an authorized distributor.

CONTENTS

FOREWORD.....	4
1 Scope.....	6
2 Normative references	6
3 Terms and definitions	6
4 Standard atmospheric conditions	6
5 Evaluations—Visual evaluation of panel image quality Specimen preparation	7
5.1 General.....	7
5.2 Sample preparation.....	7
6 Mechanical stress test methods	7
6.1 General.....	7
6.2 Cyclic bending test.....	8
6.2.1 General	8
6.2.2 Purpose.....	8
6.2.3 Test apparatus	8
6.2.4 Test procedure	9
6.2.5 Testing conditions and reporting	9
6.3 Static bending test	12
6.3.1 General	12
6.3.2 Purpose.....	12
6.3.3 Test apparatus	12
6.3.4 Test procedure	12
6.3.5 Testing conditions and reporting	13
6.4 Combined bending test	12
6.4.1 General	13
6.4.2 Purpose.....	13
6.4.3 Test apparatus	13
6.4.4 Test procedure	14
6.4.5 Testing conditions and reporting	15
6.5 Rolling test.....	15
6.5.1 General	15
6.5.2 Purpose.....	16
6.5.3 Test apparatus	16
6.5.4 Test procedure	18
6.5.5 Testing conditions and reporting	18
6.6 Static rolling test.....	18
6.6.1 General	19
6.6.2 Purpose.....	19
6.6.3 Test apparatus	19
6.6.4 Test procedure	19
6.6.5 Testing conditions and reporting	20
6.7 Torsion test.....	20
6.7.1 General	20
6.7.2 Purpose.....	20
6.7.3 Test apparatus	20
6.7.4 Test procedure	20
6.7.5 Testing conditions and reporting	22

6.8	Tension test	20
6.8.1	General	23
6.8.2	Purpose	23
6.8.3	Test apparatus	23
6.8.4	Test procedure	23
6.8.5	Testing conditions and reporting	24
	Bibliography	25
	Figure 1 – Apparatus for diverse cyclic bending tests	11
	Figure 2 – Apparatus for static bending test	12
	Figure 3 – Apparatus for combined bending tests consisting of the cyclic bending test and static bending test	15
	Figure 4 – Apparatus for rolling test	17
	Figure 5 – Apparatus for diverse torsion tests	22
	Figure 6 – Apparatus for tension test	24

iTeh Standards
(<https://standards.itih.ai>)
Document Preview

[IEC 62715-6-1:2018](#)

<https://standards.itih.ai/catalog/standards/iec/97726c09-3aa-4947-bb78-60e60910415f/iec-62715-6-1-2018>

INTERNATIONAL ELECTROTECHNICAL COMMISSION

FLEXIBLE DISPLAY DEVICES –

Part 6-1: Mechanical ~~stress~~ test methods – Deformation tests

FOREWORD

- 1) The International Electrotechnical Commission (IEC) is a worldwide organization for standardization comprising all national electrotechnical committees (IEC National Committees). The object of IEC is to promote international co-operation on all questions concerning standardization in the electrical and electronic fields. To this end and in addition to other activities, IEC publishes International Standards, Technical Specifications, Technical Reports, Publicly Available Specifications (PAS) and Guides (hereafter referred to as “IEC Publication(s)”). Their preparation is entrusted to technical committees; any IEC National Committee interested in the subject dealt with may participate in this preparatory work. International, governmental and non-governmental organizations liaising with the IEC also participate in this preparation. IEC collaborates closely with the International Organization for Standardization (ISO) in accordance with conditions determined by agreement between the two organizations.
- 2) The formal decisions or agreements of IEC on technical matters express, as nearly as possible, an international consensus of opinion on the relevant subjects since each technical committee has representation from all interested IEC National Committees.
- 3) IEC Publications have the form of recommendations for international use and are accepted by IEC National Committees in that sense. While all reasonable efforts are made to ensure that the technical content of IEC Publications is accurate, IEC cannot be held responsible for the way in which they are used or for any misinterpretation by any end user.
- 4) In order to promote international uniformity, IEC National Committees undertake to apply IEC Publications transparently to the maximum extent possible in their national and regional publications. Any divergence between any IEC Publication and the corresponding national or regional publication shall be clearly indicated in the latter.
- 5) IEC itself does not provide any attestation of conformity. Independent certification bodies provide conformity assessment services and, in some areas, access to IEC marks of conformity. IEC is not responsible for any services carried out by independent certification bodies.
- 6) All users should ensure that they have the latest edition of this publication.
- 7) No liability shall attach to IEC or its directors, employees, servants or agents including individual experts and members of its technical committees and IEC National Committees for any personal injury, property damage or other damage of any nature whatsoever, whether direct or indirect, or for costs (including legal fees) and expenses arising out of the publication, use of, or reliance upon, this IEC Publication or any other IEC Publications.
- 8) Attention is drawn to the Normative references cited in this publication. Use of the referenced publications is indispensable for the correct application of this publication.
- 9) Attention is drawn to the possibility that some of the elements of this IEC Publication may be the subject of patent rights. IEC shall not be held responsible for identifying any or all such patent rights.

This redline version of the official IEC Standard allows the user to identify the changes made to the previous edition. A vertical bar appears in the margin wherever a change has been made. Additions are in green text, deletions are in strikethrough red text.

International Standard IEC 62715-6-1 has been prepared by IEC technical committee 110: Electronic display devices.

This second edition cancels and replaces the first edition published in 2014. This edition constitutes a technical revision.

This edition includes the following significant technical changes with respect to the previous edition:

- a) changed the part title to differentiate it from other parts;
- b) added new bending testing methods;
- c) added detailed testing procedures.

The text of this International Standard is based on the following documents:

FDIS	Report on voting
110/951/FDIS	110/974/RVD

Full information on the voting for the approval of this International Standard can be found in the report on voting indicated in the above table.

This document has been drafted in accordance with the ISO/IEC Directives, Part 2.

A list of all the parts in the IEC 62715 series, under the general title *Flexible display devices*, can be found on the IEC website.

The committee has decided that the contents of this document will remain unchanged until the stability date indicated on the IEC website under "<http://webstore.iec.ch>" in the data related to the specific document. At this date, the document will be

- reconfirmed,
- withdrawn,
- replaced by a revised edition, or
- amended.

IMPORTANT – The 'colour inside' logo on the cover page of this publication indicates that it contains colours which are considered to be useful for the correct understanding of its contents. Users should therefore print this document using a colour printer.

FLEXIBLE DISPLAY DEVICES –

Part 6-1: Mechanical ~~stress~~ test methods – Deformation tests

1 Scope

The object of this part of IEC 62715 is to define the standard test methods to evaluate the mechanical stability of flexible display modules, specifically mechanical stability against deformation, such as bending, rolling, twisting, and stretching. Display modules include displays such as LCD, e-paper, and OLED. This document takes into account, wherever possible, the mechanical test methods outlined under mechanical stress.

2 Normative references

The following documents are referred to in the text in such a way that some or all of their content constitutes requirements of this document. For dated references, only the edition cited applies. For undated references, the latest edition of the referenced document (including any amendments) applies.

IEC 62341-5:2009, *Organic light emitting diode (OLED) displays – Part 5: Environmental testing methods*

3 Terms and definitions

No terms and definitions are listed in this document.

ISO and IEC maintain terminological databases for use in standardization at the following addresses:

- IEC Electropedia: available at <http://www.electropedia.org/>
- ISO Online browsing platform: available at <http://www.iso.org/obp>

4 Standard atmospheric conditions

The standard atmospheric conditions in IEC 62341-5:2009, 5.3, shall apply as follows, unless otherwise specifically agreed between customer and supplier. ~~The standard atmospheric conditions shall be a temperature of 25 °C ± 5 °C, relative humidity between 45 % and 75 %, and atmospheric pressure between 86 kPa and 106 kPa.~~

- Temperature: 25 °C ± 3 °C
- Relative humidity: 25 % RH to 85 % RH
- Atmospheric pressure: 86 kPa to 106 kPa

When all the different kinds of tests are carried out, the temperature and humidity condition shall be ~~commented~~ reported because the temperature ~~is~~ and humidity are critical for the bending and rolling stability regarding image quality on the panel.

NOTE Preferably, the specimen and apparatus are kept in a controlled environment for at least 24 h prior to and after assembly, before the start of the mechanical deformation test.

5 ~~Evaluations—Visual evaluation of panel image quality~~ Specimen preparation

5.1 General

The specimen shall be the display module since the final evaluation has to be made based on panel image quality such as luminance, chromaticity, uniformity, line defect, and point defect. The bending stress may cause the deterioration of image quality on a panel, [1] to [9]¹.

5.2 Sample preparation

For the measurements both before and after the mechanical deformation test, the display module being tested shall be aligned on an appropriate support which has to be a flat surface. In addition, the module for the measurement shall be of the appropriate geometry for mechanical stress testing. Specify that the test apparatus should be designed to prevent added strain by stretching test specimens upon folding.

The preferred method of attachment between the display module and the test apparatus is adhesive transfer tape. The display should be bonded on both sides, and the distance between the centre of the test specimen and the point of attachment should be specified. If use scenarios require it, a clamping attachment may be used instead, in which the display is clamped on one side and allowed to slide on the other. The clamping force should be sufficient to ensure that the test specimen is firmly anchored to the test apparatus throughout the entire duration of the test cycle.

If some modules are difficult to clamp due to narrow edge width, the module should be fixed on a bendable support substrate with a suitable adhesive strip or glue. Neither the adhesive strip nor the glue should affect the measurement.

NOTE In some cases, the testing specimen can have a short length or has a very narrow edge to clamp for mechanical stress testing.

Specify that in the event of cross-instrument variability in the form of location (centre or edge)-response bias, one should investigate bend axis misalignment, bowing or uneven mounting plates.

For precise optical measurements, it is very important to define the alignment of the measurement specimen because the flexible display module can be easily deformed by external force. Measurements of the visual characteristics of a flexible module shall be made in an aligned flat state. If flexible modules are aligned in a curved state, it is difficult to make a precise visual evaluation. The measurement module shall be supported or fixed so that it is flat.

The flatness and size of the specimen shall be determined between the supplier and customer.

6 Mechanical stress test methods

6.1 General

Flexible displays have a diversity of shapes in comparison with any other non-flexible electronic displays. Therefore, a wide variety of mechanical stress test methods are available, such as a cyclic bending (folding) or dynamic bending test, a static bending test, a rolling test, a combined mechanical test and more. The selection of the appropriate test methods shall be based on the requirement of the application. For each mechanical stress test, the relevant test method specification shall be stated along with the explanation of the purpose of each unique test. The allowable critical bending radius of a panel depends on the application of the flexible display. Therefore, the required critical bending radius will be changed ~~case-by-case~~ based on the applications.

¹ Numbers in square brackets refer to the Bibliography.

There are several factors to consider when designing a reliable and repeatable mechanical folding or deformation test method, as follows:

- Motion profiles controlled by a single hinge (or pivot axis) and which wrap around a mandrel can stretch samples, and if not precisely actuated or controlled can create a great deal of variability in the test response.
- Motion profiles controlled by more than one hinge or pivot axis can prevent added stretching on test specimens, and offer better control of the test response.
- Clamping samples can prevent shear between layers of multi-layer test specimens containing adhesive, and greatly impact test response.
- Additional considerations, such as attaching too close to the apex of the bend, and fold axis misalignment or slight distortions in the shape of the mounting plates, can also impact reliability and repeatability of the test response.
- Samples should be pre-conditioned in a controlled environment for at least 24 h prior to testing as material properties for adhesives and polymers can be affected by temperature and water uptake.

6.2 Cyclic bending test

6.2.1 General

This procedure is for conditioning the ~~sample~~ specimen under mechanical stress by repeated bending.

6.2.2 Purpose

The purpose of this test is to provide a standard procedure for evaluating the robustness of a flexible display against a cyclic bending stress which might typically happen in application. The bending properties might cover several typical parameters of the characteristics of a display panel's image quality. The typical parameters of a display panel's image quality might cover the luminance, chromaticity, uniformity, line defect, point defect, pixel shrink, and /or presence or absence of cracks.

6.2.3 Test apparatus

The cyclic bending test equipment includes the clamp to hold a bending test ~~sample~~ specimen, the moving part to shuttle, and the control system which regulates the number of cyclic bendings, the moving distance, and the moving speed while testing. The specimen shall be securely clamped with a gripping part during the test. Several kinds of cyclic bending test equipments ~~are~~ is available and shown in Figure 1, [4][7][10]. It is not necessary that a certain type of bending test equipment be preferred but the constant bending radius (r), equal to the radius of the rod, should be kept during the bending test.

NOTE If the bending radius of the test specimen is kept constant during the bending test, the bending rod can be removed as it would scratch the surface of the test specimen during the cyclic bending test.

For the cyclic bending test, the following apparatus is considered:

- the specimen experiences a bending stress when the specimen is shuttled back and forth (Figure 1a)) or while the specimen is folded and unfolded (Figure 1b)),
- when the specimen is repeatedly multi-bent in the inward or outward direction, a cyclic multi-inward bending equipment (Figure 1c)) or cyclic multi-outward bending equipment (Figure 1d)) can be used,
- when the specimen is repeatedly multi-bent in a Z-shape, a cyclic multi-bending equipment can be used,
- when the specimen is repeatedly bent in both the inward and outward direction, a cyclic inward and outward bending equipment can be used (Figure 1e) and/or f)).

6.2.4 Test procedure

The cyclic bending test shall be performed using a repeated motion to move regularly between two points or two states (folded state and unfolded state) as follows. ~~For each test, the moving speed, the bending radius and the number of cyclic bending should be mentioned, because the characteristics of the image quality displayed on the module might depend on these elements. The direction in which the specimen faces shall be stated, such as face up or face down. For example, the conditions shall be selected as below:~~

~~r (bending radius): 20 mm, 10 mm, 5 mm, 3 mm, 2 mm, 1 mm, 0,5 mm, 0,2 mm, 0,1 mm~~

~~t (time for one bend and interval): 0,5 s, 1 s, 2 s, 3 s, 5 s, 10 s~~

- a) Prepare the required number of specimens according to 5.2.
- b) Perform the initial performance, visual characteristics, test for the prepared specimens and record the result.
- c) One edge of the specimen is fixed by the clamp, or fixed with an adhesive, and the other edge is supported properly as stated in 5.2.
- d) Bend the specimen properly with defined conditions such as the rotation angle of the clamp roll and the bending angular velocity.
- e) Bring the specimen back to the initial state before the bending.
- f) If required, bend the specimen in another direction with defined conditions such as the rotation angle of the clamp roll and the bending angular velocity.
- g) Bring the specimen back to the initial state before the bending with the same angular velocity and reversed direction.
- h) Repeat d) to g) for a defined number of cycles.
- i) After the test, the specimen is removed from the apparatus.
- j) Repeat the tests with (an)other specimen(s) following c) to j).
- k) The stressed performance, visual characteristics of the mechanically stressed specimen(s) with the required number of testings are measured and the results are recorded. The initial and stressed performances are compared, and the degree of change due to the bend is determined.
- l) The test and performance measurement for individual specimens are conducted and recorded in the test report.

6.2.5 Testing conditions and reporting

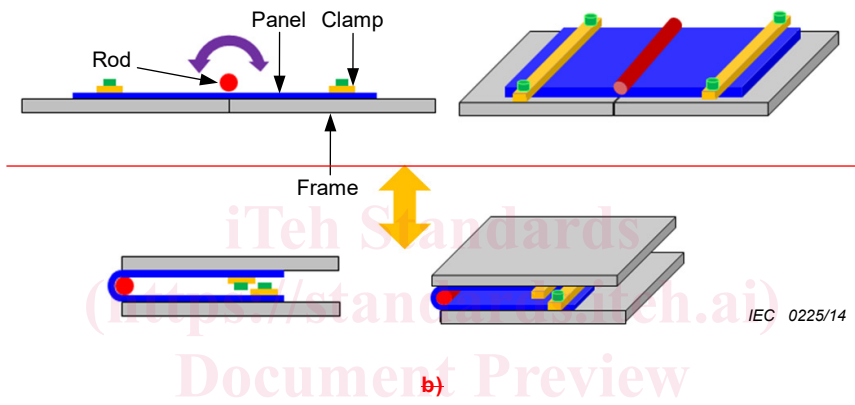
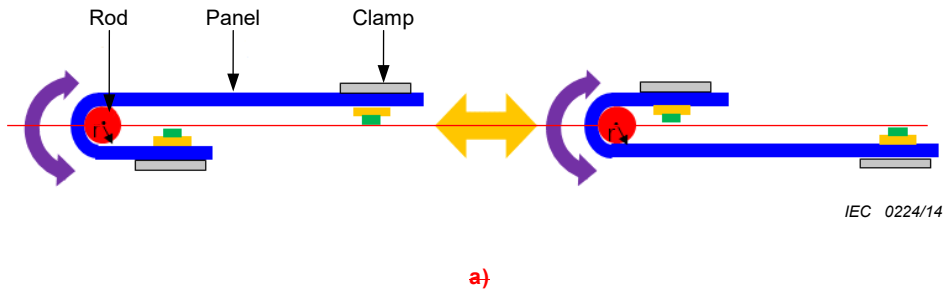
The testing conditions are specified as follows:

NOTE 1 The numerical values of the test conditions are examples.

- a) bending radius
 - r (bending radius): 20 mm, 10 mm, 5 mm, 3 mm, 2 mm, 1 mm, 0,5 mm, 0,2 mm
- b) bending angle and angular velocity, procedure for one cycle
 - t (time for one bend and interval): 0,5 s, 1 s, 2 s, 3 s, 5 s, 10 s
- c) load
- d) number of repeating cycles
- e) criteria for acceptance
- f) number of specimens
- g) the bending inner surface is the top surface (face up) or the back side surface (face down)
- h) way of holding specimens and detailed method of holding, such as pressure
- i) surface condition (such as treatment) of both specimen and apparatus
- j) testing of environmental conditions, such as temperature and humidity.

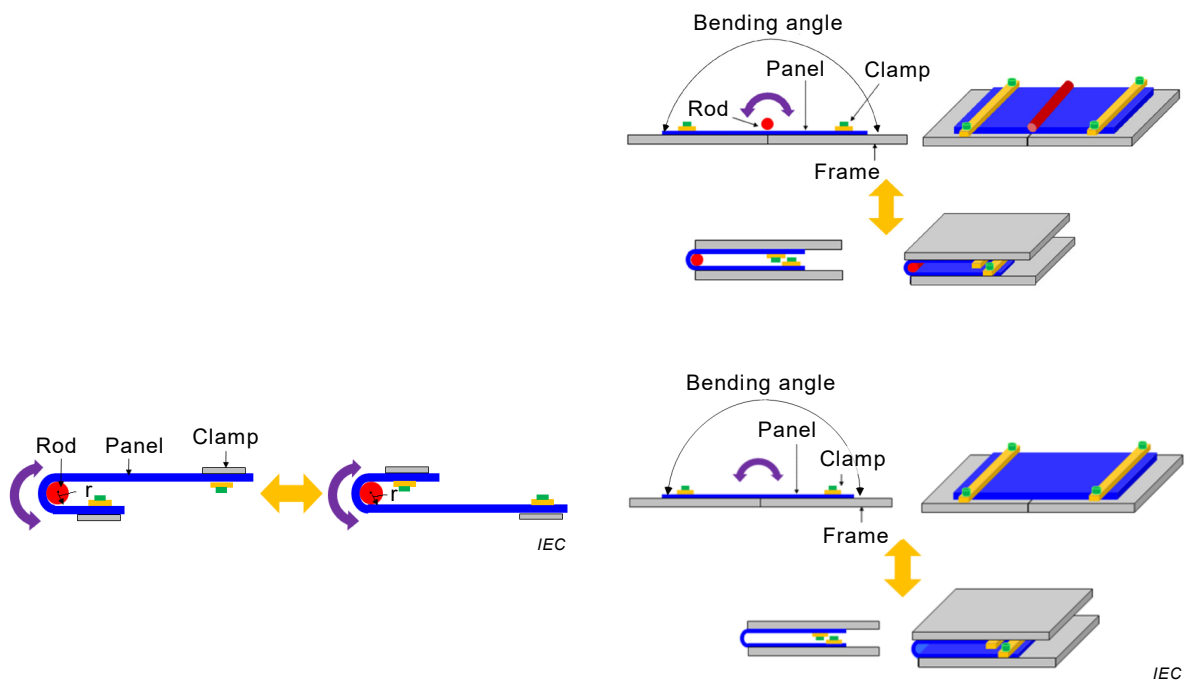
NOTE 2 The criteria for acceptance include the visual performance and specimen geometry both before and after the stressing.

All conditions shall be reported if the test uses conditions other than those mentioned above.



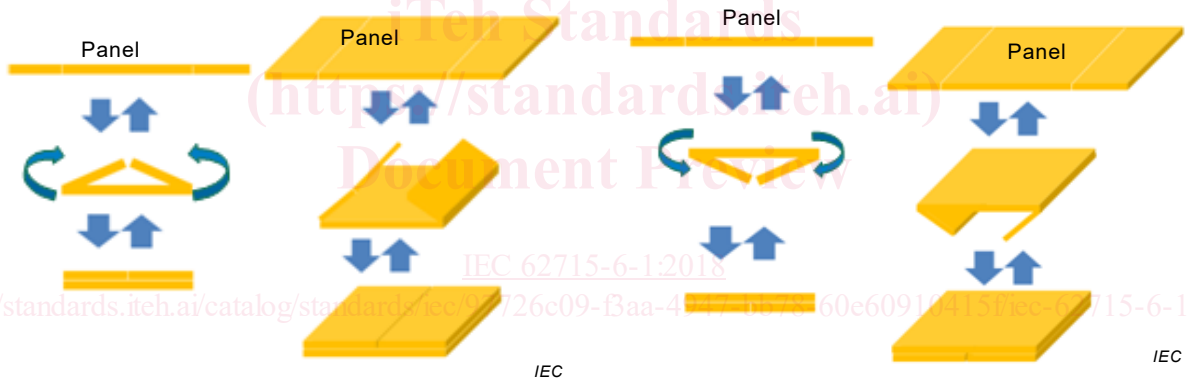
IEC 62715-6-1:2018

<https://standards.iteh.ai/catalog/standards/iec/97726c09-3aa-4947-bb78-60e60910415f/iec-62715-6-1-2018>



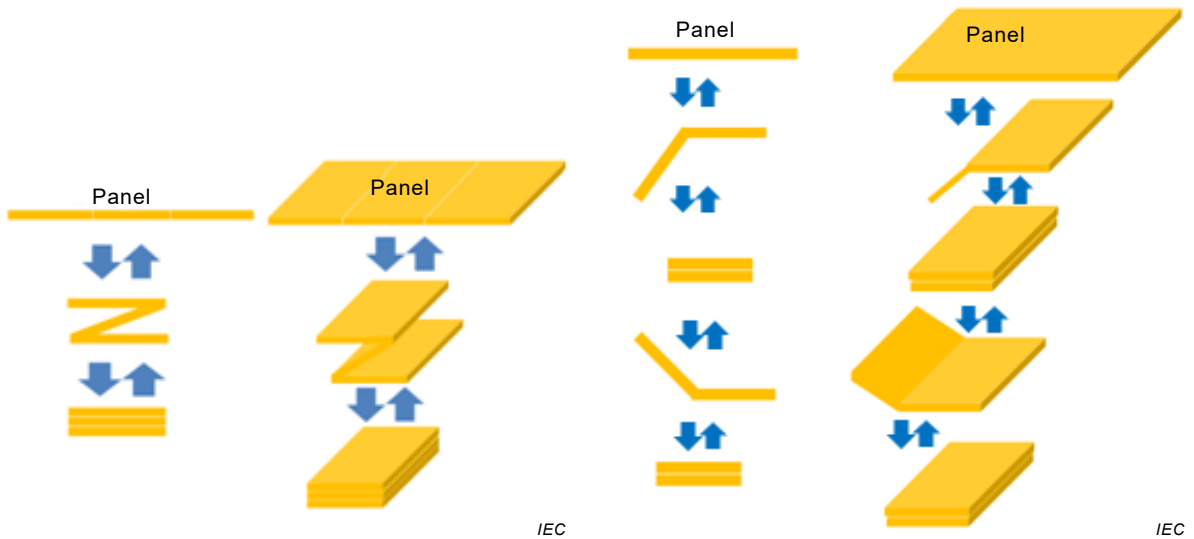
a) Cyclic bending (sliding) equipment

b) Cyclic bending equipment



c) Cyclic multi-inward bending equipment

d) Cyclic multi-outward bending equipment



e) Cyclic multi-bending equipment

f) Cyclic inward and outward bending equipment

Figure 1 – Apparatus for diverse cyclic bending tests

6.3 Static bending test

6.3.1 General

This test is especially applicable for evaluating the static bending properties of a flexible display device by measuring its performance after it remains bent for a certain period of time. Each specimen is bent at a fixed bending radius for any length of time.

6.3.2 Purpose

This test is to provide a standard procedure for evaluating the static bending properties of a flexible display device under constant stress for a certain period of time. Each specimen is bent at a fixed bending radius for a controlled length of time.

6.3.3 Test apparatus

The body of the display panel shall firmly adhere to the surface of the test equipment during the test, where the test equipment should have a round shape with a certain radius as in Figure 2. The specimen shall be bent at a fixed bending radius for a period of time.

If the bending radius of the test specimen is kept constant during the bending test, the bending rod can be removed as it may scratch the surface of the test specimen during the static bending test. During the test, the flexible printed circuit (FPC) and the driver should be carefully handled ~~in order not to cause~~ so that they are not subject to bending damage ~~on them~~. The chip-on-film (COF) method is preferable in order to avoid the occurrence of bending damage on the driver's integrated circuit (IC) during the bending test.

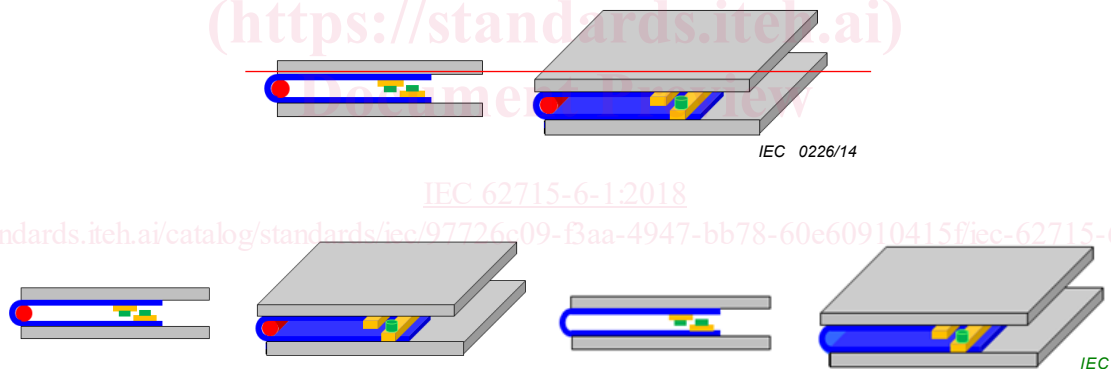


Figure 2 – Apparatus for static bending test

6.3.4 Test procedure

The static ~~time~~ bending test shall be carried out with a fixed bending radius for a certain period of time, as follows. ~~For each test, the bending radius and the period of time shall be mentioned because the static bending properties of the characteristics of the display panel image quality might depend on the bending radius and the period of time.~~

- a) Prepare the required number of specimens according to 5.2.
- b) Perform the initial performance, visual characteristics, test for the prepared specimens and record the result.
- c) One edge of the specimen is fixed by the clamp and the other edge is supported properly.
- d) Bend the specimen properly with defined conditions such as the rotation angle of the clamp roll and the bending angular velocity.
- e) Keep the specimen bent for certain period of time.
- f) Bring the specimen back to the initial state before the bending.
- g) Repeat d) to f) for a defined number of tests.