

INTERNATIONAL STANDARD

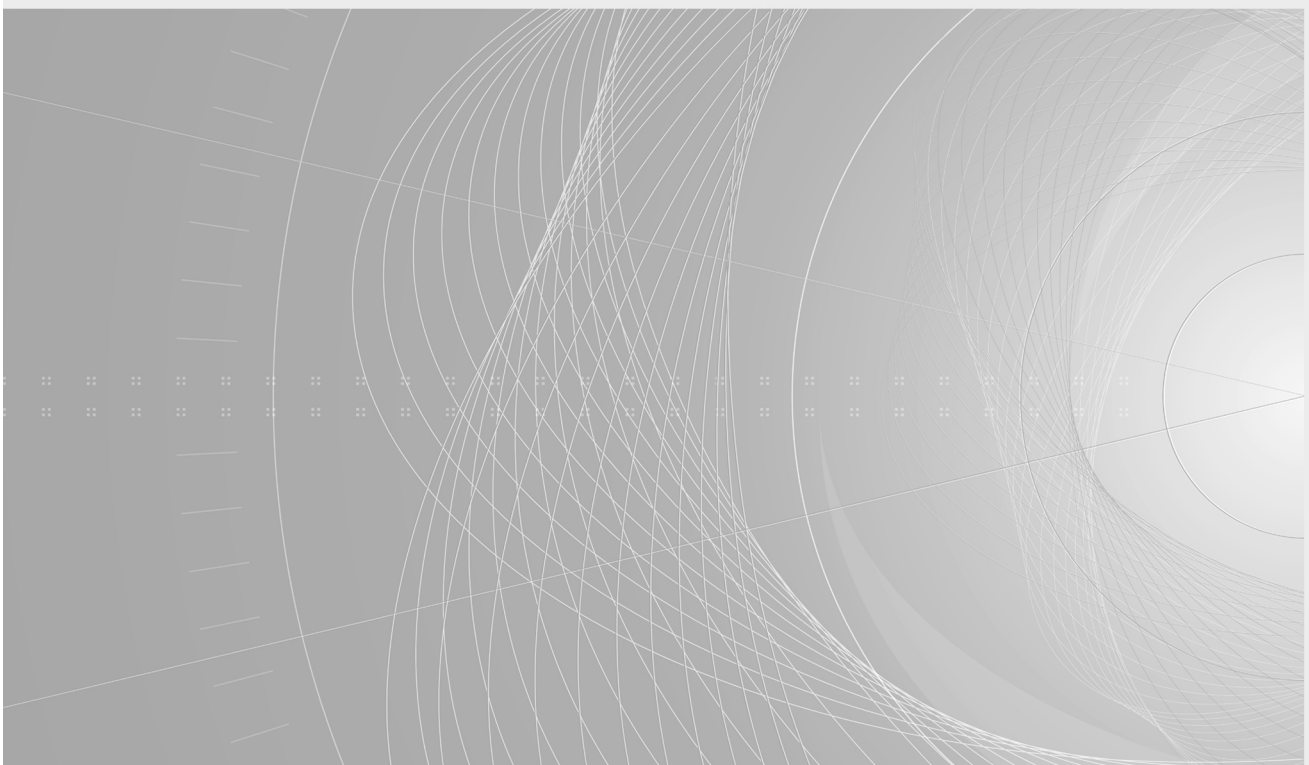
NORME INTERNATIONALE

AMENDMENT 1
AMENDEMENT 1

Appliance couplers for household and similar general purposes –
Part 3: Standard sheets and gauges

Connecteurs pour usages domestiques et usages généraux analogues –
Partie 3: Feuilles de norme et calibres

ITeH STANDARD PREVIEW
(standards.iteh.ai)
IEC 60320-3:2014/AMD1:2018
<https://standards.iteh.ai/catalog/standards/sist/958e7c4f-aedc-42f8-83cb-5c1206351710/iec-60320-3-2014-amd1-2018>





THIS PUBLICATION IS COPYRIGHT PROTECTED
Copyright © 2018 IEC, Geneva, Switzerland

All rights reserved. Unless otherwise specified, no part of this publication may be reproduced or utilized in any form or by any means, electronic or mechanical, including photocopying and microfilm, without permission in writing from either IEC or IEC's member National Committee in the country of the requester. If you have any questions about IEC copyright or have an enquiry about obtaining additional rights to this publication, please contact the address below or your local IEC member National Committee for further information.

Droits de reproduction réservés. Sauf indication contraire, aucune partie de cette publication ne peut être reproduite ni utilisée sous quelque forme que ce soit et par aucun procédé, électronique ou mécanique, y compris la photocopie et les microfilms, sans l'accord écrit de l'IEC ou du Comité national de l'IEC du pays du demandeur. Si vous avez des questions sur le copyright de l'IEC ou si vous désirez obtenir des droits supplémentaires sur cette publication, utilisez les coordonnées ci-après ou contactez le Comité national de l'IEC de votre pays de résidence.

IEC Central Office
3, rue de Varembe
CH-1211 Geneva 20
Switzerland

Tel.: +41 22 919 02 11
info@iec.ch
www.iec.ch

About the IEC

The International Electrotechnical Commission (IEC) is the leading global organization that prepares and publishes International Standards for all electrical, electronic and related technologies.

About IEC publications

The technical content of IEC publications is kept under constant review by the IEC. Please make sure that you have the latest edition, a corrigenda or an amendment might have been published.

IEC Catalogue - webstore.iec.ch/catalogue

The stand-alone application for consulting the entire bibliographical information on IEC International Standards, Technical Specifications, Technical Reports and other documents. Available for PC, Mac OS, Android Tablets and iPad.

IEC publications search - webstore.iec.ch/advsearchform

The advanced search enables to find IEC publications by a variety of criteria (reference number, text, technical committee,...). It also gives information on projects, replaced and withdrawn publications.

IEC Just Published - webstore.iec.ch/justpublished

Stay up to date on all new IEC publications. Just Published details all new publications released. Available online and also once a month by email.

Electropedia - www.electropedia.org

The world's leading online dictionary of electronic and electrical terms containing 21 000 terms and definitions in English and French, with equivalent terms in 16 additional languages. Also known as the International Electrotechnical Vocabulary (IEV) online.

IEC Glossary - std.iec.ch/glossary

67 000 electrotechnical terminology entries in English and French extracted from the Terms and Definitions clause of IEC publications issued since 2002. Some entries have been collected from earlier publications of IEC TC 37, 77, 86 and CISPR.

IEC Customer Service Centre - webstore.iec.ch/csc

If you wish to give us your feedback on this publication or need further assistance, please contact the Customer Service Centre: sales@iec.ch.

A propos de l'IEC

La Commission Electrotechnique Internationale (IEC) est la première organisation mondiale qui élabore et publie des Normes internationales pour tout ce qui a trait à l'électricité, à l'électronique et aux technologies apparentées.

A propos des publications IEC

Le contenu technique des publications IEC est constamment revu. Veuillez vous assurer que vous possédez l'édition la plus récente, un corrigendum ou amendement peut avoir été publié.

Catalogue IEC - webstore.iec.ch/catalogue

Application autonome pour consulter tous les renseignements bibliographiques sur les Normes internationales, Spécifications techniques, Rapports techniques et autres documents de l'IEC. Disponible pour PC, Mac OS, tablettes Android et iPad.

Recherche de publications IEC - webstore.iec.ch/advsearchform

La recherche avancée permet de trouver des publications IEC en utilisant différents critères (numéro de référence, texte, comité d'études,...). Elle donne aussi des informations sur les projets et les publications remplacées ou retirées.

IEC Just Published - webstore.iec.ch/justpublished

Restez informé sur les nouvelles publications IEC. Just Published détaille les nouvelles publications parues. Disponible en ligne et aussi une fois par mois par email.

Electropedia - www.electropedia.org

Le premier dictionnaire en ligne de termes électroniques et électriques. Il contient 21 000 termes et définitions en anglais et en français, ainsi que les termes équivalents dans 16 langues additionnelles. Egalement appelé Vocabulaire Electrotechnique International (IEV) en ligne.

Glossaire IEC - std.iec.ch/glossary

67 000 entrées terminologiques électrotechniques, en anglais et en français, extraites des articles Termes et Définitions des publications IEC parues depuis 2002. Plus certaines entrées antérieures extraites des publications des CE 37, 77, 86 et CISPR de l'IEC.

Service Clients - webstore.iec.ch/csc

Si vous désirez nous donner des commentaires sur cette publication ou si vous avez des questions contactez-nous: sales@iec.ch.

INTERNATIONAL STANDARD

NORME INTERNATIONALE

AMENDMENT 1
AMENDEMENT 1

Appliance couplers for household and similar general purposes –
Part 3: Standard sheets and gauges

Connecteurs pour usages domestiques et usages généraux analogues –
Partie 3: Feuilles de norme et calibres

INTERNATIONAL
ELECTROTECHNICAL
COMMISSION

COMMISSION
ELECTROTECHNIQUE
INTERNATIONALE

ICS 29.120.30

ISBN 978-2-8322-6084-5

**Warning! Make sure that you obtained this publication from an authorized distributor.
Attention! Veuillez vous assurer que vous avez obtenu cette publication via un distributeur agréé.**

FOREWORD

This amendment has been prepared by subcommittee 23G:Appliance couplers, of IEC technical committee 23:Electrical accessories.

The text of this amendment is based on the following documents:

FDIS	Report on voting
23G/408/FDIS	23G/410/RVD

Full information on the voting for the approval of this amendment can be found in the report on voting indicated in the above table.

The committee has decided that the contents of this amendment and the base publication will remain unchanged until the stability date indicated on the IEC website under "<http://webstore.iec.ch>" in the data related to the specific publication. At this date, the publication will be

- reconfirmed,
- withdrawn,
- replaced by a revised edition, or
- amended.

iTeh STANDARD PREVIEW
(standards.iteh.ai)

<https://standards.iteh.ai/catalog/standards/sist/958e7c4f-aedc-42f8-83cb-5c1206351710/iec-60320-3-2014-amd1-2018>

2 Normative references

Add the following new references:

IEC 60227 (all parts), *Polyvinyl chloride insulated cables of rated voltages up to and including 450/750 V*

IEC 60245 (all parts), *Rubber insulated cables – Rated voltages up to and including 450/750 V*


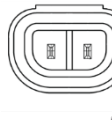

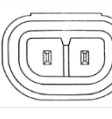
IEC 60320-2-3:2018, *Appliance couplers for household and similar general purposes – Part 2-3: Appliance couplers with a degree of protection higher than IPX0*

4 General requirements

Add, after Table 2, the following new text and table:

Table 4 gives the general requirements for appliance couplers with a degree of protection higher than IPX0.

Table 4 – Appliance couplers IP-A up to IP-D – Standard sheets

Rated current	Class of equipment	Maximum contact temperature of appliance coupler °C	Appliance coupler		Type of cord		
			Number of standard sheet for:		Rewirable version allowed	Lightest type allowed	Minimum cross section mm ²
			Connector	Appliance inlet/plug connector			
A							
6	II	70	 IEC IP-C	 IEC IP-D	Yes	60227 IEC 52	0,75
10	II	70	 IEC IP-A	 IEC IP-B	Yes	60227 IEC 53 or 60245 IEC 53	0,75 ^a

^a If the cord has a length exceeding 2 m or is of the retractable coiled (pre-coiled) type, nominal cross-sectional areas shall be at least 1 mm² for 10 A plug connectors.

iTeh STANDARD PREVIEW

Subclauses 6.3 to 6.31, except 6.10
 (standards.iteh.ai)

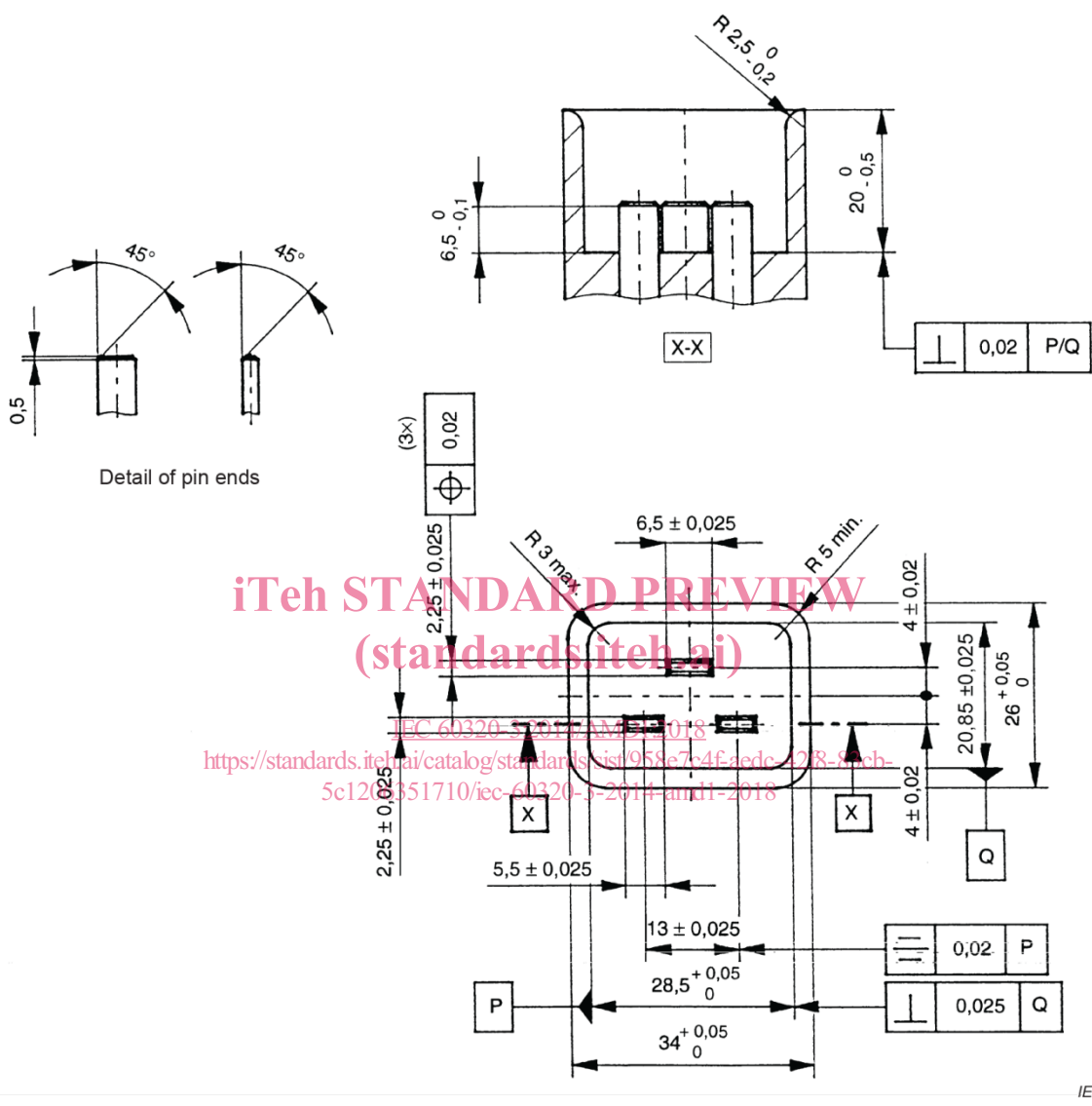
Replace, in the subclause and figure titles “...to standard sheet...” with “...according to standard sheet...”

<https://standards.iteh.ai/catalog/standards/sist/958e7c4f-aedc-42f8-83cb-5c1206351710/iec-60320-3-2014-amd1-2018>

6.30 "GO" gauge for appliance outlets to standard sheet J

Replace Figure 29 with the following new figure:

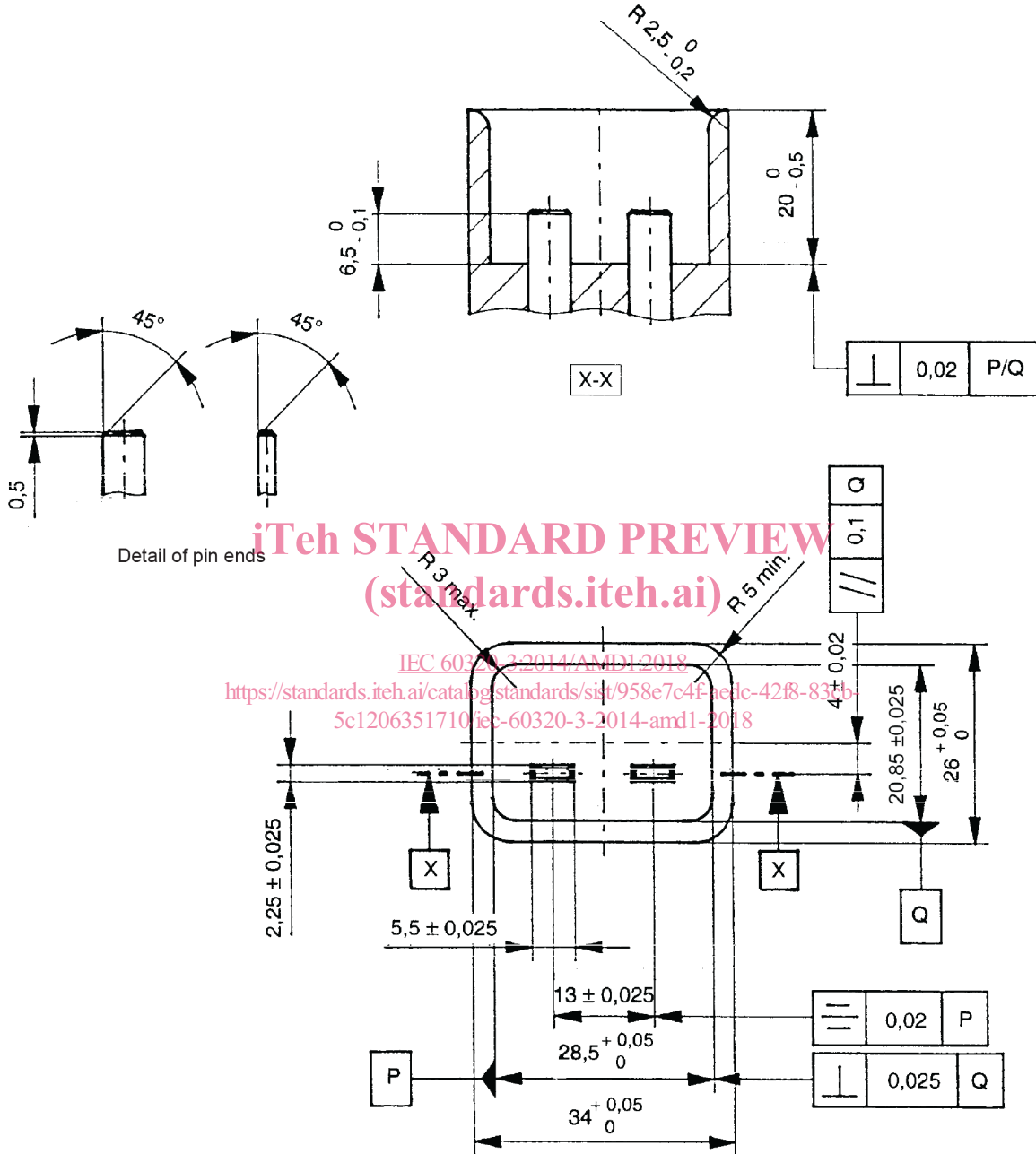
Dimensions in millimetres



6.31 "GO" gauge for appliance outlets to standard sheet L

Replace Figure 30 with the following new figure:

Dimensions in millimetres



IEC

6.32 Gauges for checking the distance from the engagement face of connectors and appliance outlets to the point of first contact

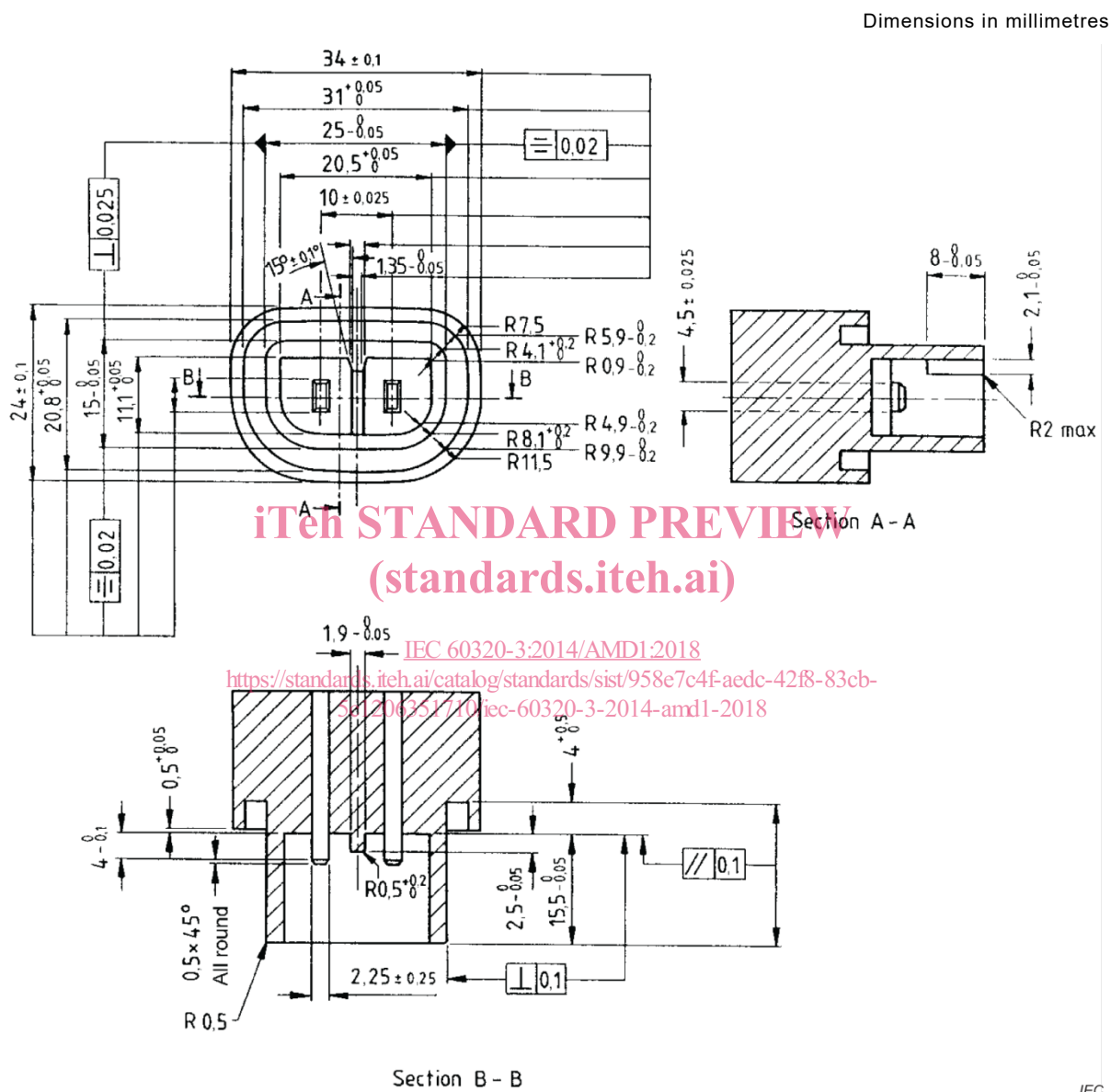
Replace the first row of Table 3 with the following new row:

a_1	$+0,05$ 0	-	3,9	3,9	4,9 5,9 ^b
-------	----------------	---	-----	-----	-------------------------

Add the following new subclauses:

6.33 "GO" gauge for connector according to standard sheet IP-A

It shall be possible to insert the connector fully into the gauge shown in Figure 32 with a force not exceeding 60 N.



Gauge and pins: hardened steel.

Figure 32 – "GO" gauge for connectors according to standard sheet IP-A

6.34 "GO" gauges for appliance inlets/plug connectors according to standard sheet IP-B

It shall be possible to insert the connector fully into the gauges shown in Figure 33 with a force not exceeding 60 N.

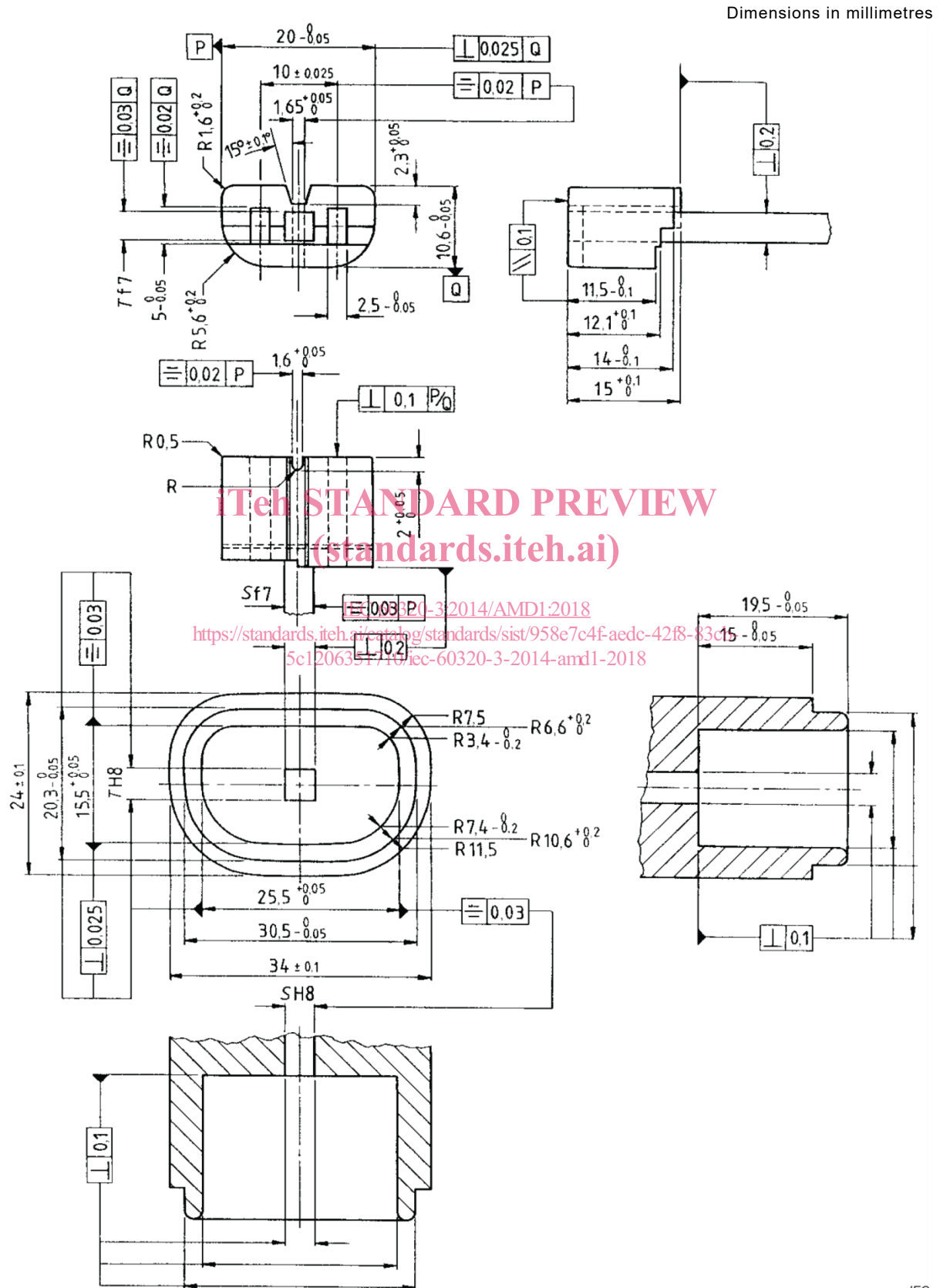
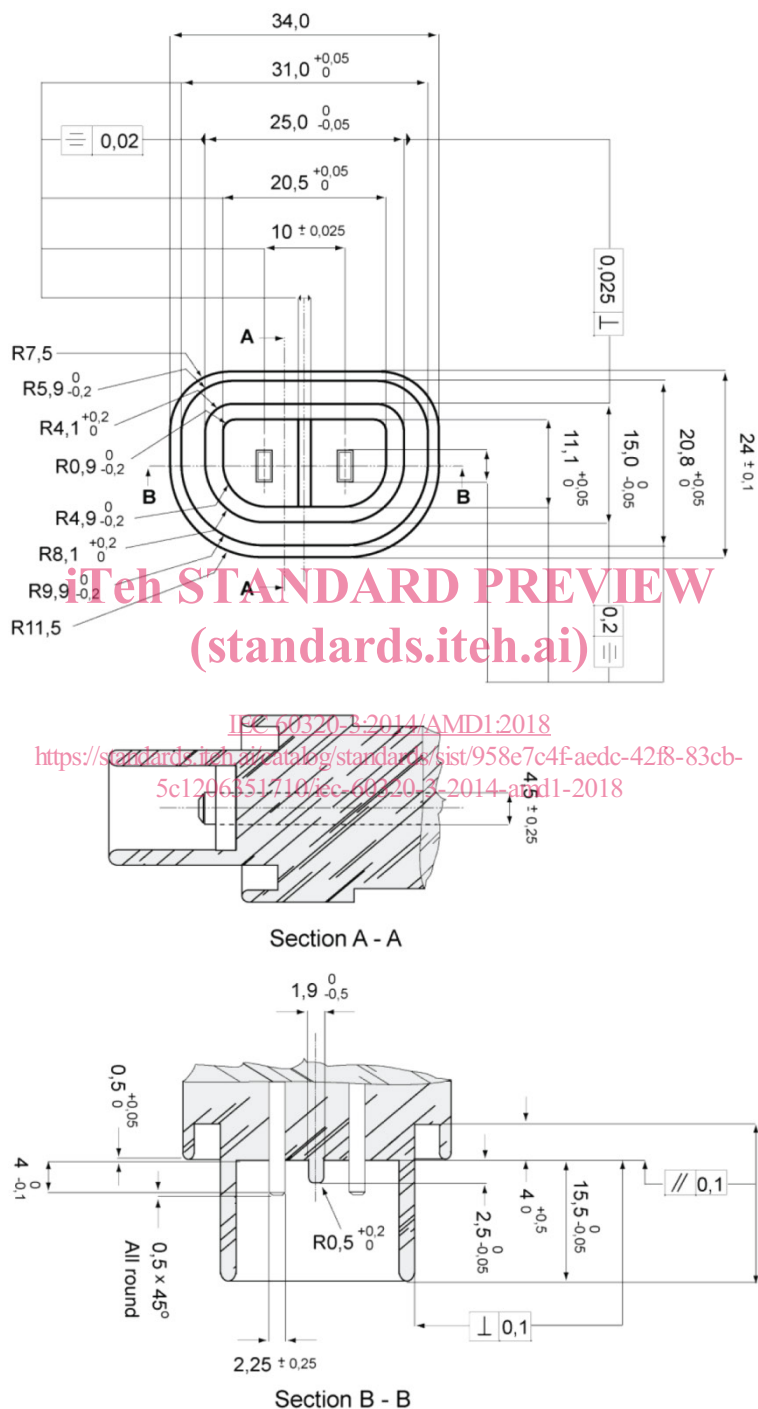


Figure 33 – Primary and supplementary "GO" gauge for appliance inlets/plug connectors according to standard sheet IP-B

6.35 "GO" gauge for connectors according to standard sheet IP-C

It shall be possible to insert the connector fully into the gauge shown in Figure 34 with a force not exceeding 60 N.

Dimensions in millimetres



IEC

Figure 34 – "GO" gauge for connectors according to standard sheet IP-C

6.36 "GO" gauge for appliance inlets/plug connectors according to standard sheet IP-D

It shall be possible to insert the connector fully into the gauges shown in Figure 35 with a force not exceeding 60 N.

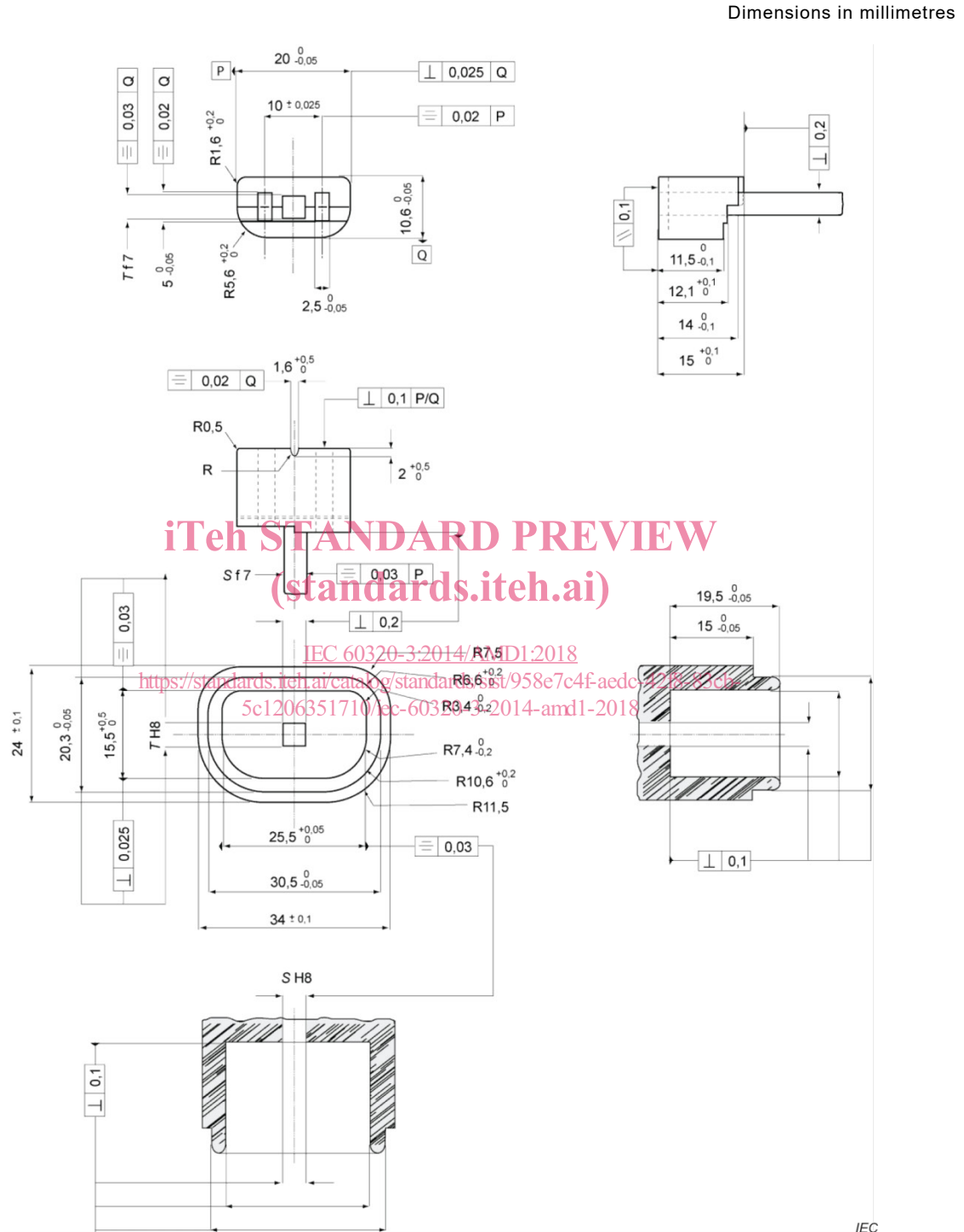


Figure 35 – Primary and supplementary "GO" gauges for appliance inlets according to standard sheet D

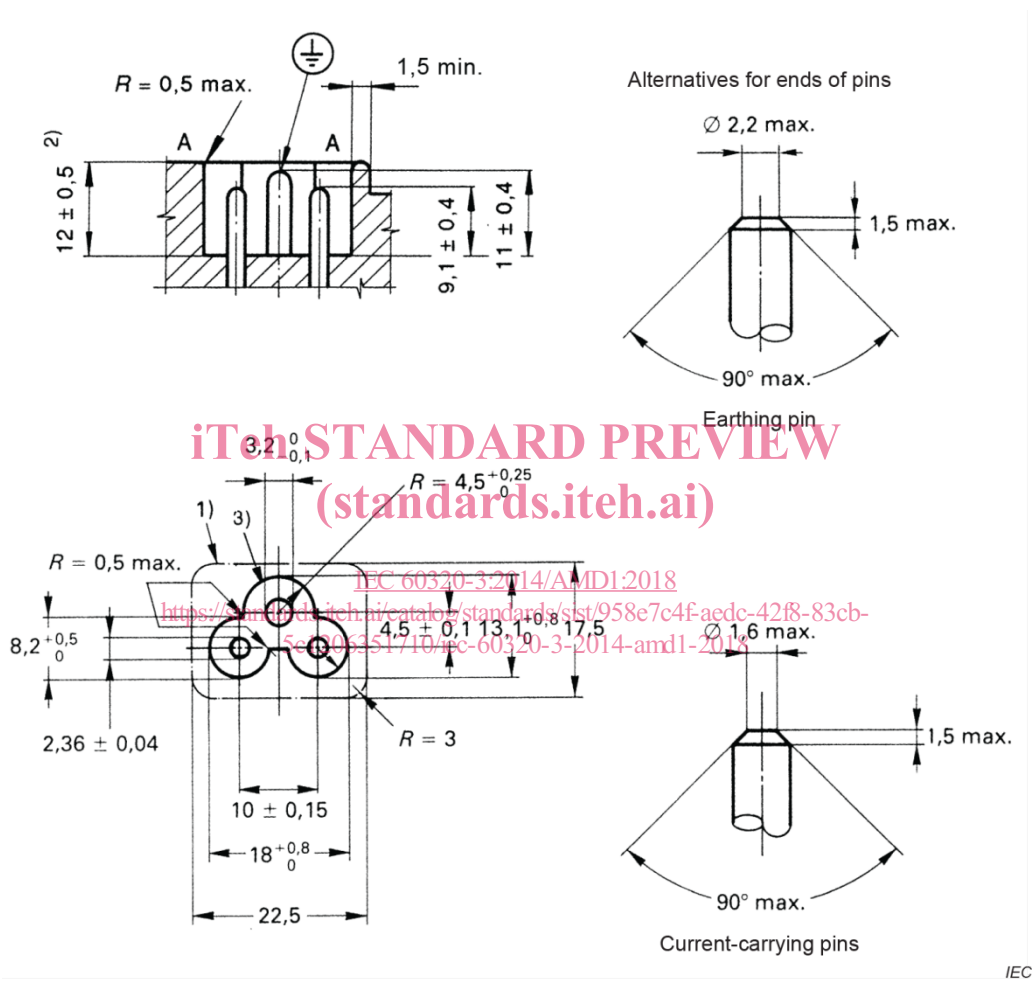
Add the following note to all standard sheets (except the new ones):

NOTE The sketches are not intended to govern design, except as regards the dimensions shown. Dimensions without tolerances are only recommendations.

Standard sheet C6

Replace the figure with the following new figure:

Dimensions in millimetres



IEC

Standard sheet B

Correct the format of the heading and include in the table of contents.

Standard sheet F

Correct the format of the heading and include in the table of contents.