



Designation: C1782/C1782M – 18

# Standard Specification for Segmental Concrete Paving Slabs<sup>1</sup>

This standard is issued under the fixed designation C1782/C1782M; the number immediately following the designation indicates the year of original adoption or, in the case of revision, the year of last revision. A number in parentheses indicates the year of last reapproval. A superscript epsilon ( $\epsilon$ ) indicates an editorial change since the last revision or reapproval.

## 1. Scope\*

1.1 This specification covers the requirements for segmental concrete paving slabs manufactured for construction of pedestrian and roof applications for commercial and municipal projects. These slabs can be manufactured with a dry-cast, wet-cast, or hydraulically pressed process.

NOTE 1—Applications subject to vehicular traffic may require alternate materials properties or structural support or both.

1.2 Concrete units covered by this specification shall be made with lightweight or normal weight aggregates or both.

NOTE 2—If particular features are desired, such as weight classification, higher modulus of rupture, surface textures, finish, color, or other special features, such properties should be specified by the purchaser. Local sellers, however, should be consulted as to availability of units having the desired features.

1.3 The values stated in either inch-pound units or SI units are to be regarded separately as standard. The values stated in each system may not be exact equivalents; therefore, each system shall be used independently of the other. Combining values from the two systems may result in non-conformance with the standard.

1.4 *This international standard was developed in accordance with internationally recognized principles on standardization established in the Decision on Principles for the Development of International Standards, Guides and Recommendations issued by the World Trade Organization Technical Barriers to Trade (TBT) Committee.*

## 2. Referenced Documents

2.1 *ASTM Standards:*

- C33/C33M Specification for Concrete Aggregates
- C150/C150M Specification for Portland Cement
- C207 Specification for Hydrated Lime for Masonry Purposes
- C260/C260M Specification for Air-Entraining Admixtures for Concrete

<sup>1</sup> This test method is under the jurisdiction of ASTM Committee C15 on Manufactured Masonry Units and is the direct responsibility of Subcommittee C15.03 on Concrete Masonry Units and Related Units.

Current edition approved June 1, 2018. Published July 2018. Originally approved in 2016. Last previous edition approved in 2017 as C1782/C1782M – 17. DOI: 10.1520/C1782\_C1782M-18.

- C331/C331M Specification for Lightweight Aggregates for Concrete Masonry Units
- C494/C494M Specification for Chemical Admixtures for Concrete
- C595/C595M Specification for Blended Hydraulic Cements
- C618 Specification for Coal Fly Ash and Raw or Calcined Natural Pozzolan for Use in Concrete
- C979/C979M Specification for Pigments for Integrally Colored Concrete
- C989/C989M Specification for Slag Cement for Use in Concrete and Mortars
- C1157/C1157M Performance Specification for Hydraulic Cement
- C1232 Terminology for Masonry
- C1240 Specification for Silica Fume Used in Cementitious Mixtures
- C1645 Test Method for Freeze-thaw and De-icing Salt Durability of Solid Concrete Interlocking Paving Units
- D1056 Specification for Flexible Cellular Materials—Sponge or Expanded Rubber

## 3. Terminology

3.1 Terminology defined in C1232 shall apply for this specification.

3.2 *Definitions of Terms Specific to This Standard:*

3.2.1 *warpage, n*—the maximum vertical deviation from a straightedge placed across the full length, width or diagonal dimension of the paving slab surface.

## 4. Materials

4.1 *Cementitious Materials* shall conform to the following applicable ASTM specifications:

- 4.1.1 *Portland Cements*—Specification C150/C150M.
- 4.1.2 *Hydraulic Cements*—Specification C1157/C1157M.
- 4.1.3 *Blended Hydraulic Cements*—Specification C595/C595M.
- 4.1.4 *Hydrated Lime, Type S*—Specification C207.
- 4.1.5 *Fly Ash*—Specification C618.
- 4.1.6 *Ground Slag*—Specification C989/C989M.
- 4.1.7 *Silica Fume*—Specification C1240.

4.2 *Aggregates* shall conform to the following ASTM specifications, except that grading requirements shall not necessarily apply:

\*A Summary of Changes section appears at the end of this standard

4.2.1 *Normal Weight*—Specification C33/C33M.

4.2.2 *Lightweight*—Specification C331/C331M.

4.3 *Chemical Admixtures* shall conform to the following applicable ASTM specifications:

4.3.1 *Air-entraining Admixtures*—Specification C260/C260M.

4.3.2 *Water-reducing, Retarding, and Accelerating Admixtures*—Specification C494/C494M.

4.3.3 *Pigments for Integrally Colored Concrete*—Specification C979/C979M.

4.4 *Other Constituents*—Integral water repellents, fibers, and other materials for which no ASTM standards exist shall be previously established as suitable for use in concrete or shall be shown by test or experience not to be detrimental to the concrete paving slab.

**5. Physical Requirements**

5.1 Units shall have a finished face area greater than 101 in.<sup>2</sup> [0.065 m<sup>2</sup>] and their length (L) divided by thickness (T) shall be greater than 4. The minimum thickness shall be 1.2 in. [30 mm]. The maximum length and width dimensions shall be 48 in. [1220 mm]. See Fig. 1.

5.2 *Modulus of Rupture*—At the time of delivery to the job site, the average modulus of rupture of the test specimens shall be 725 psi [5.0 MPa] with no individual unit less than 650 psi [4.5 MPa] as determined in A1.3.

5.3 *Resistance to Freezing and Thawing*—If the units are exposed to freezing and thawing during service, the manufacturer shall satisfy the purchaser either by proven field performance or a laboratory freezing-and-thawing test that the units have adequate resistance to freezing and thawing. If a laboratory test is used, test in accordance with 7.4. Specimens sampled from units that will not be exposed to deicing salts in service shall be tested in tap water. Specimens sampled from units that will be exposed to deicing materials in service shall

be tested in 3 % saline solution. The average mass loss of all the specimens tested shall not be greater than: (a) 225 g/m<sup>2</sup> when subject to 28 freeze-thaw cycles, or (b) 500 g/m<sup>2</sup> when subject to 49 freeze-thaw cycles. This test shall be conducted not more than 12 months prior to delivery of units.

5.4 *Dimensional Tolerances*—At the time of delivery to the job site, the length, width and thickness dimensions, and concave or convex warpage measured across the full length, width and diagonal dimensions, as determined in A1.2, shall not differ from the amounts for the specified dimensions by more than the tolerances in Table 1. Length, width and thickness dimensions are based on manufacturer’s drawings for the particular shape identified.

NOTE 3—Some applications including units placed on a sand-bitumen setting bed or on pedestals for roof applications may require tighter dimensional tolerances for thickness and warpage than those shown in Table 1. These tolerances should be specified separately.

**6. Visual Inspection**

6.1 All units shall be sound and free of defects that would interfere with the proper placing of the units or impair the strength or performance of the construction. Cracks or surface chipping resulting from customary methods of manufacturing or handling in shipment and delivery shall not be deemed grounds for rejection.

**7. Sampling and Testing**

7.1 The purchaser or the purchaser’s authorized representative shall be accorded proper facilities to inspect and sample the units at the place of manufacture from the lots ready for delivery. Prior to delivery of units, the supplier and purchaser shall decide on the lot size from which to sample test specimens for resistance to freezing and thawing, modulus of rupture, and dimensional tolerances.

7.2 Sample paving slabs that are representative of the lot and label with the date of manufacture.

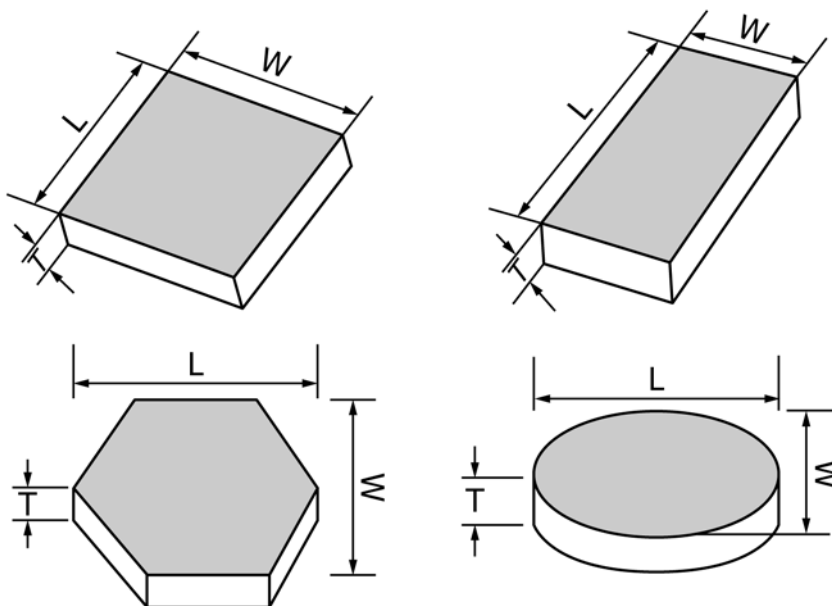


FIG. 1 L = Length, W = Width, T = Thickness

**TABLE 1 Dimensional Tolerances**

Length and Width, in. [mm]	Thickness, in. [mm]	Concave or Convex Warpage in One Dimension, in. [mm]
Units up to and including 24 in. [610 mm]		Up to and including 17.75 in. [450 mm]:
-0.04 [1.0] and +0.08 [2.0]	±0.12 [3.0]	±0.08 [2.0]
Units over 24 in. [610 mm]		Over 17.75 in. [450 mm]
-0.06 [1.5] and +0.12 [3.0]	±0.12 [3.0]	±0.12 [3.0]

7.3 Three units shall be checked for dimensional variations in accordance with **A1.2**. Measure the length, width, and thickness for conformance to manufacturer's specified dimensions and for warpage across the full length, width and diagonal dimensions to the nearest 0.02 in. [0.5 mm]. These units shall be used for modulus of rupture testing and, if applicable, three additional units shall be tested for resistance to freezing and thawing as described **7.4** and **7.4.1**.

7.4 Three units shall be tested for modulus of rupture according to **A1.3** and, when required, three units shall be tested for resistance to freezing and thawing in accordance with Test Method **C1645**.

7.4.1 If applicable, each of the three test specimens for resistance to freezing and thawing shall be cut from three separate units. The freeze-thaw test specimens shall have a surface area of at least 29.5 in.<sup>2</sup> [0.019 m<sup>2</sup>] and not exceeding 101 in.<sup>2</sup> [0.065 m<sup>2</sup>], and have at least two edges that are uncut.

## 8. Compliance

8.1 If a sample fails to conform to the specified requirements, the manufacturer shall be permitted to remove

paving slabs from the shipment. A new sample shall be selected by the purchaser from remaining slabs from the shipment with a similar configuration and dimension and tested. If the second sample meets the specified requirements, the remaining portion of the shipment represented by the sample meets the specified requirements. If the second sample fails to meet the specified requirements, the remaining portion of the shipment represented by the sample fails to meet the specified requirements.

NOTE 4—Unless otherwise specified in the purchase order, the cost of tests is typically borne as follows: (1) if the results of the tests show that the slabs do not conform to the requirements of this specification, the cost is typically borne by the seller; (2) if the results of the tests show that the units conform to the specification requirements, the cost is typically borne by the purchaser.

## 9. Keywords

9.1 concrete; concrete paving unit; segmental concrete paving slab

iTech Standards  
(<https://standards.itih.ai>)  
Document Preview

## ANNEX

ASTM C1782/C1782M 18  
(Mandatory Information)

<https://standards.itih.ai/catalog/standards/sist/9aa2c6e6-0d4e-408b-b154-5104893f5664/astm-c1782-c1782m-18>

### A1. TEST METHODS FOR PAVING SLABS

#### A1.1 Scope

A1.1.1 This annex includes testing requirements for concrete paving slabs manufactured for compliance with the unit specifications in this standard.

#### A1.2 Measurement for Dimensional Accuracy

##### A1.2.1 Apparatus:

A1.2.1.1 *Measurement Devices*—Devices used to measure specimen dimensions shall have divisions not greater than 0.01 in. [0.25 mm].

A1.2.1.2 Measuring devices shall be readable and accurate to the division required to be reported. Accuracy shall be verified at least once annually. Verification record shall include date of verification, person or agency performing verification, identification of reference standard used, test points used during verification, and readings at test points.

A1.2.1.3 *Flat Surface*, of steel or glass, at least 1 in. [25 mm] larger than the specimen and plane to within 0.01 in. [0.025 mm].

A1.2.1.4 *Straightedge* made of steel at least 1 in. [25 mm] longer than the specimen and straightness within 0.01 in. [0.025 mm].

A1.2.2 *Length and Width Measurements*—Length and width measurements shall be measured across the top and bottom surfaces at the mid-point. Spacer bars, if applicable, shall not be measured, but a measurement adjacent to the spacer bars may be taken.

A1.2.3 *Thickness Measurement*—The thickness of the specimen shall be taken at four points equidistant along the perimeter. Each measurement shall be taken 0.2 in. [5 mm] from any edge of the specimen, excluding all chamfered areas. Thickness measurements shall be measured as the distance between the flat surface and the top of the specimen to the nearest 0.01 in. [0.25 mm]. The thickness of the product shall be calculated as the average of the four values.

NOTE A1.1—The paving unit can be measured while inverted on a flat surface or while resting on its edge.