

# INTERNATIONAL STANDARD

**ISO**  
**4252**

Second edition  
1992-12-15

---

---

## **Agricultural tractors — Operator's workplace, access and exit — Dimensions**

**iTeh** *Tracteurs agricoles — Poste de travail de l'opérateur, accès et sortie —  
Dimensions*  
**(standards.iteh.ai)**

ISO 4252:1992

<https://standards.iteh.ai/catalog/standards/sist/e6644f28-80b1-4473-8fc1-6c00758245b5/iso-4252-1992>



Reference number  
ISO 4252:1992(E)

## Foreword

ISO (the International Organization for Standardization) is a worldwide federation of national standards bodies (ISO member bodies). The work of preparing International Standards is normally carried out through ISO technical committees. Each member body interested in a subject for which a technical committee has been established has the right to be represented on that committee. International organizations, governmental and non-governmental, in liaison with ISO, also take part in the work. ISO collaborates closely with the International Electrotechnical Commission (IEC) on all matters of electrotechnical standardization.

Draft International Standards adopted by the technical committees are circulated to the member bodies for voting. Publication as an International Standard requires approval by at least 75 % of the member bodies casting a vote.

International Standard ISO 4252 was prepared by Technical Committee ISO/TC 23, *Tractors and machinery for agriculture and forestry*, Subcommittee SC 3, *Safety and comfort of the operator*.

This second edition cancels and replaces the first edition (ISO 4252:1983). The changes are noted in the introduction.

© ISO 1992

All rights reserved. No part of this publication may be reproduced or utilized in any form or by any means, electronic or mechanical, including photocopying and microfilm, without permission in writing from the publisher.

International Organization for Standardization  
Case Postale 56 • CH-1211 Genève 20 • Switzerland

Printed in Switzerland

## Introduction

In the revision of this International Standard to adopt "Seat Index Point" (SIP) in place of "Seat Reference Point" (SRP), the mean seat position is used in accordance with ISO 5353. The seating position is therefore moved to the mean horizontal from the rearmost position used in previous editions. Half the minimum horizontal adjustment as stated in ISO 4253 is the adjustment figure used.

To adopt the seat index point (SIP) in place of the seat reference point (SRP), the relationship of SIP 90 mm above and 140 mm in front of the SRP has been used. This relationship should be used when converting from SRP to SIP or vice versa.

This International Standard is now in conformity with the 1992 Amendment (ISO 3462:1980/Amd. 1:1992) to the 1980 edition of ISO 3462, *Tractors and machinery for agriculture and forestry — Seat reference point — Method of determination*.

The 1983 edition of this International Standard included a clause 6, which dealt with the limiting dimensions for steps: this has been deleted from this edition as the subject is covered in ISO 4254-1.

<https://standards.iteh.ai/catalog/standards/iso-4252-1992>  
6c00758245b5/iso-4252-1992

**iTeh STANDARD PREVIEW**  
**(standards.iteh.ai)**

This page intentionally left blank

[ISO 4252:1992](#)

<https://standards.iteh.ai/catalog/standards/sist/e6644f28-80b1-4473-8fc1-6c00758245b5/iso-4252-1992>

# Agricultural tractors — Operator's workplace, access and exit — Dimensions

## 1 Scope

This International Standard specifies design dimensions of a tractor for agriculture concerning

- a) minimum dimensions of access doorways;
- b) number, location and minimum dimensions of emergency exits;
- c) minimum internal clearance dimensions

It applies to tractors for agriculture having a minimum track width exceeding 1 150 mm.

## 2 Normative references

The following standards contain provisions which, through reference in this text, constitute provisions of this International Standard. At the time of publication, the editions indicated were valid. All standards are subject to revision, and parties to agreements based on this International Standard are encouraged to investigate the possibility of applying the most recent editions of the standards indicated below. Members of IEC and ISO maintain registers of currently valid International Standards.

ISO 4253:—<sup>1)</sup>, *Agricultural tractors — Operator's seating accommodation — Dimensions*.

ISO 5353:1978, *Earth-moving machinery, and tractors and machinery for agriculture and forestry — Seat index point*.

## 3 Definitions

For the purposes of this International Standard, the following definitions apply.

**3.1 emergency exit:** Means of exit which is capable of being opened from the inside of the cab: it may be a normal access door.

**3.2 access door [doorway]:** Means of entry to and exit from the workplace or cab.

## 4 Access doorway(s)

The minimum dimensions of the access doorway aperture, both for the frame and with the door open shall be as shown in figures 1 and 2.

## 5 Emergency exits

### 5.1 Number and location

There shall be a minimum of three emergency exits, each of which shall be on a different side of the cab: the front, rear and roof of the cab may be considered as sides for this purpose.

### 5.2 Dimensions

The cross-sectional dimensions of emergency exits shall be large enough to enclose an ellipse with principal axes of 640 mm and 440 mm.

1) To be published. (Revision of ISO 4253:1977)

## 6 Internal clearance dimensions

6.1 The minimum clearance dimensions inside the cab shall be as shown in figure 3 and table 1.

These dimensions are defined in relation to the vertical reference plane, generally longitudinal to the tractor and passing through the seat index point and the steering-wheel centre.

NOTE 1 The dimensions are basically valid for cabs with only one driving seat.

6.2 The seat index point (SIP) shall be determined according to ISO 5353.

6.3 The distances from the seat index point to the pedals and the steering-wheel are given in ISO 4253.

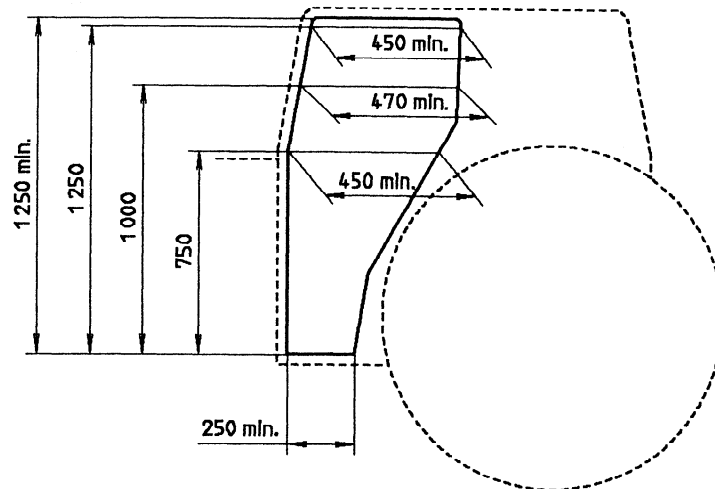
Table 1 — Minimum internal clearance dimensions

Distance	Dimension min. mm
Distance from the seat index point to any part of the cab ceiling surface, above, forward of and to either side of the operator's head <sup>1)</sup>	960
Distance from the seat index point to the cab back wall at a height between 210 mm above the seat index point and the roof contour defined by the 960 mm radius plus the 150 mm blend radius <sup>2)</sup>	365
Lateral clearance at any distance between 310 mm above the seat index point and the roof contour defined by the 960 mm radius plus the 45° line, perpendicular to the vertical reference plane for a distance of 235 mm <sup>2)</sup> forward and 215 mm <sup>2)</sup> rearwards from the seat index point	450
Distance from the outer side of the steering-wheel rim to the cab surface or other hand controls <sup>3)</sup>	80
<p>1) Soft materials such as padding may penetrate into the free space up to a maximum of 50 mm.</p> <p>2) If the horizontal seat adjustment provided exceeds <math>\pm 75</math> mm from the mid-position, then any dimensions forward from the seat index point shall be reduced, and dimensions to the rear from the seat index point increased, on the basis:                      [Total adjustment to the rear of the seat mid-position minus 75 mm]</p> <p>3) Excluding hand controls mounted on the steering-column.</p>	

Table 2 — Clearance dimensions around the controls

Type of control	Dimension <sup>1)</sup> min. mm
For engine controls and controls which require an operating force of more than 150 N	50
For controls, other than engine controls, which require an operating force of 80 N to 150 N	25
1) These minimum distances shall be valid for all control positions.	

Dimensions in millimetres



NOTE — For tractors where the seat can be reached straight from the footstep, the height at which the widths are measured may be decreased.

Figure 1 — Access doorway dimensions

iTeh STANDARD PREVIEW  
(standards.iteh.ai)

ISO 4252:1992  
<https://standards.iteh.ai/catalog/standards/sist/e6644f28-80b1-4473-8fc1-6c00758245b5/iso-4252-1992>

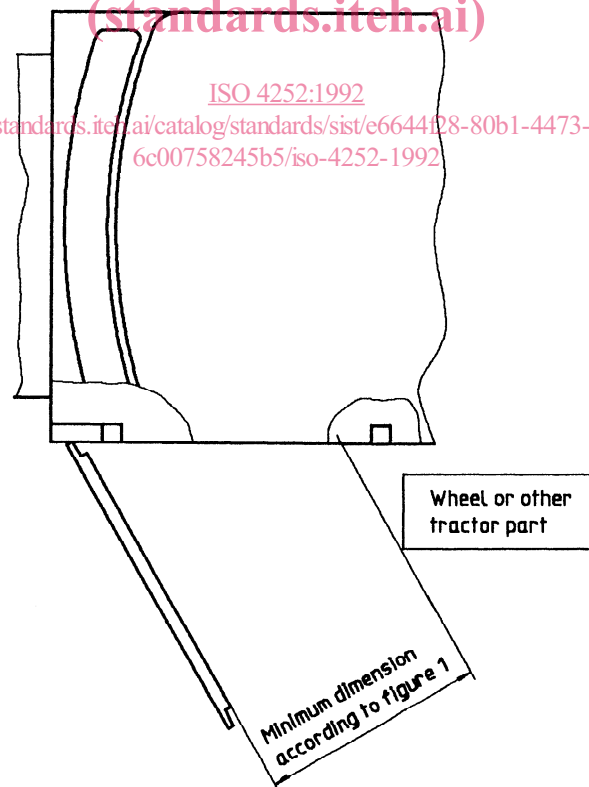
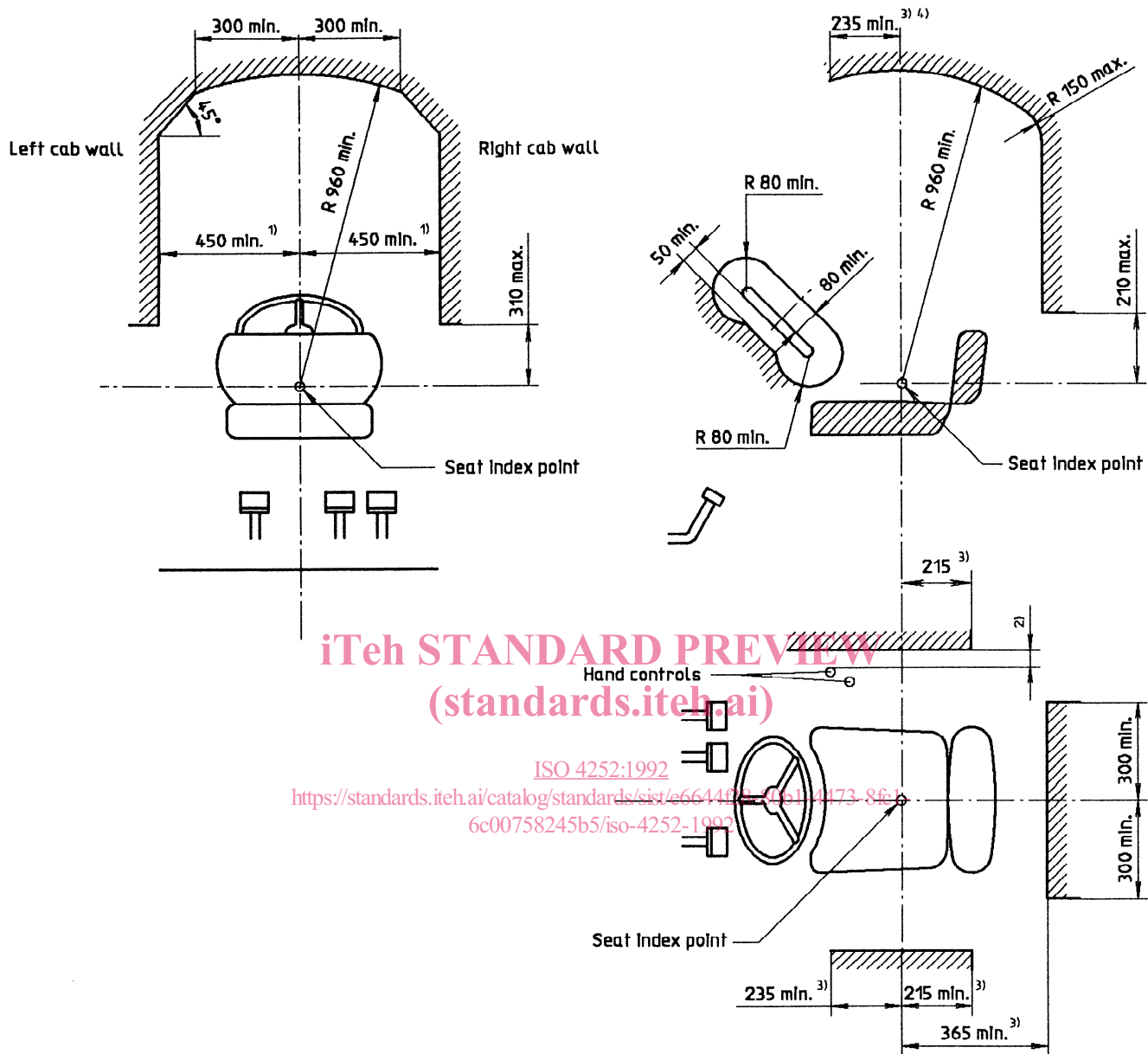


Figure 2 — Examples of limitation of dimensions with door open



1) Valid for tractors with only one operator position.

2) See table 2.

3) If the horizontal seat adjustment provided exceeds  $\pm 75$  mm from the mid-position, then any dimensions forward from the seat index point shall be reduced, and dimensions to the rear from the seat index point increased, on the basis:  
[Total adjustment to the rear of the seat mid-position minus 75 mm]

4) The clearance zone, as defined in this region by the 960 mm radius, may be reduced for cabs where limiting overall tractor maximum dimensions are of prime design importance and/or for accommodating specific roof-mounted equipment.

Figure 3 — Minimum internal clearance dimensions



**iTeh STANDARD PREVIEW**  
**(standards.iteh.ai)**

This page intentionally left blank

[ISO 4252:1992](#)

<https://standards.iteh.ai/catalog/standards/sist/e6644f28-80b1-4473-8fc1-6c00758245b5/iso-4252-1992>