

INTERNATIONAL STANDARD

NORME INTERNATIONALE

**Radio-frequency connectors –
Part 54: Sectional specification for coaxial connectors with 10 mm inner
diameter of outer conductor, nominal characteristic impedance 50 Ω ,
series 4,3-10**

[IEC 61169-54:2021](#)

<https://standards.iteh.ai/catalog/standards/sist/2388f861-7d8e-4e42-8035-666a12202021>

**Connecteurs pour fréquences radioélectriques –
Partie 54: Spécification intermédiaire relative aux connecteurs coaxiaux avec
diamètre intérieur du conducteur extérieur de 10 mm, impédance caractéristique
nominale 50 Ω , série 4,3-10**



THIS PUBLICATION IS COPYRIGHT PROTECTED
Copyright © 2021 IEC, Geneva, Switzerland

All rights reserved. Unless otherwise specified, no part of this publication may be reproduced or utilized in any form or by any means, electronic or mechanical, including photocopying and microfilm, without permission in writing from either IEC or IEC's member National Committee in the country of the requester. If you have any questions about IEC copyright or have an enquiry about obtaining additional rights to this publication, please contact the address below or your local IEC member National Committee for further information.

Droits de reproduction réservés. Sauf indication contraire, aucune partie de cette publication ne peut être reproduite ni utilisée sous quelque forme que ce soit et par aucun procédé, électronique ou mécanique, y compris la photocopie et les microfilms, sans l'accord écrit de l'IEC ou du Comité national de l'IEC du pays du demandeur. Si vous avez des questions sur le copyright de l'IEC ou si vous désirez obtenir des droits supplémentaires sur cette publication, utilisez les coordonnées ci-après ou contactez le Comité national de l'IEC de votre pays de résidence.

IEC Central Office
3, rue de Varembe
CH-1211 Geneva 20
Switzerland

Tel.: +41 22 919 02 11
info@iec.ch
www.iec.ch

About the IEC

The International Electrotechnical Commission (IEC) is the leading global organization that prepares and publishes International Standards for all electrical, electronic and related technologies.

About IEC publications

The technical content of IEC publications is kept under constant review by the IEC. Please make sure that you have the latest edition, a corrigendum or an amendment might have been published.

IEC publications search - webstore.iec.ch/advsearchform

The advanced search enables to find IEC publications by a variety of criteria (reference number, text, technical committee, ...). It also gives information on projects, replaced and withdrawn publications.

IEC online collection - oc.iec.ch

Discover our powerful search engine and read freely all the publications previews. With a subscription you will always have access to up to date content tailored to your needs.

IEC Just Published - webstore.iec.ch/justpublished

Stay up to date on all new IEC publications. Just Published details all new publications released. Available online and once a month by email.

Electropedia - www.electropedia.org

The world's leading online dictionary on electrotechnology, containing more than 22 000 terminological entries in English and French, with equivalent terms in 18 additional languages. Also known as the International Electrotechnical Vocabulary (IEV) online

IEC Customer Service Centre - webstore.iec.ch/csc

If you wish to give us your feedback on this publication or need further assistance, please contact the Customer Service Centre: sales@iec.ch.

A propos de l'IEC

La Commission Electrotechnique Internationale (IEC) est la première organisation mondiale qui élabore et publie des Normes internationales pour tout ce qui a trait à l'électricité, à l'électronique et aux technologies apparentées.

A propos des publications IEC

Le contenu technique des publications IEC est constamment revu. Veuillez vous assurer que vous possédez l'édition la plus récente, un corrigendum ou amendement peut avoir été publié.

Recherche de publications IEC - webstore.iec.ch/advsearchform

La recherche avancée permet de trouver des publications IEC en utilisant différents critères (numéro de référence, texte, comité d'études, ...). Elle donne aussi des informations sur les projets et les publications remplacées ou retirées.

IEC online collection - oc.iec.ch

Découvrez notre puissant moteur de recherche et consultez gratuitement tous les aperçus des publications. Avec un abonnement, vous aurez toujours accès à un contenu à jour adapté à vos besoins.

IEC Just Published - webstore.iec.ch/justpublished

Restez informé sur les nouvelles publications IEC. Just Published détaille les nouvelles publications parues. Disponible en ligne et une fois par mois par email.

Electropedia - www.electropedia.org

Le premier dictionnaire d'électrotechnologie en ligne au monde, avec plus de 22 000 articles terminologiques en anglais et en français, ainsi que les termes équivalents dans 16 langues additionnelles. Egalement appelé Vocabulaire Electrotechnique International (IEV) en ligne.

Service Clients - webstore.iec.ch/csc

Si vous désirez nous donner des commentaires sur cette publication ou si vous avez des questions contactez-nous: sales@iec.ch.

INTERNATIONAL STANDARD

NORME INTERNATIONALE

**Radio-frequency connectors –
Part 54: Sectional specification for coaxial connectors with 10 mm inner
diameter of outer conductor, nominal characteristic impedance 50 Ω ,
series 4,3-10**

[IEC 61169-54:2021](https://standards.iteh.ai/catalog/standards/sist/2388f861-7d8e-4e42-8035-e6720161e110/iec-61169-54-2021)

[https://standards.iteh.ai/catalog/standards/sist/2388f861-7d8e-4e42-8035-](https://standards.iteh.ai/catalog/standards/sist/2388f861-7d8e-4e42-8035-e6720161e110/iec-61169-54-2021)

**Connecteurs pour fréquences radioélectriques –
Partie 54: Spécification intermédiaire relative aux connecteurs coaxiaux avec
diamètre intérieur du conducteur extérieur de 10 mm, impédance caractéristique
nominale 50 Ω , série 4,3-10**

INTERNATIONAL
ELECTROTECHNICAL
COMMISSION

COMMISSION
ELECTROTECHNIQUE
INTERNATIONALE

ICS 33.120.30

ISBN 978-2-8322-1014-5

**Warning! Make sure that you obtained this publication from an authorized distributor.
Attention! Veuillez vous assurer que vous avez obtenu cette publication via un distributeur agréé.**

CONTENTS

FOREWORD.....	4
INTRODUCTION.....	6
1 Scope.....	7
2 Normative references.....	7
3 Terms and definitions	7
4 Mating face and gauge information.....	7
4.1 Dimensions – General connectors – Grade 2	7
4.1.1 Connector with pin-centre contact (see Figure 1)	7
4.1.2 Connector with socket-centre contact (see Figure 2).....	10
4.1.3 Presentation of possible coupling mechanisms	12
4.2 Gauges.....	15
4.2.1 Gauge pins for socket-centre contact (see Figure 6)	15
4.2.2 Test procedure.....	15
4.2.3 Gauge rings for plug outer contact (see Figure 7)	16
4.2.4 Test procedure.....	16
4.3 Dimensions – Standard test connectors – Grade 0	17
4.3.1 Connector with pin-centre contact (see Figure 8)	17
4.3.2 Connector with socket-centre contact (see Figure 9).....	19
5 Quality assessment procedure.....	20
5.1 General.....	20
5.2 Ratings and characteristics	21
5.3 Test schedule and inspection requirements.....	23
5.3.1 Acceptance tests.....	23
5.3.2 Periodic tests	24
5.4 Procedures for quality conformance.....	25
5.4.1 Quality conformance inspection.....	25
5.4.2 Quality conformance and its maintenance.....	26
5.5 Test and measurement procedures.....	26
5.5.1 General	26
5.5.2 Schedule of basic test groupings for acceptance and periodic tests.....	26
5.6 Specifications	27
5.6.1 Specification structures	27
5.6.2 Sectional specification (SS).....	27
5.6.3 Detail specification (DS).....	27
5.6.4 Blank detail specification.....	27
5.6.5 Blank detail specification pro-forma for 50 Ω type 4,3-10 connectors	29
6 Marking	33
6.1 Marking of component.....	33
6.2 Marking and contents of package	34
Figure 1 – Connector with pin-centre contact (for dimensions and key, see Table 1).....	8
Figure 2 – Connector with socket-centre contact (for dimensions and key, see Table 2)	10
Figure 3 – Screw type	12
Figure 4 – Hand screw type.....	13
Figure 5 – Quick lock type.....	14

Figure 6 – Gauge pins for socket-centre contact (for dimensions, see Table 3).....	15
Figure 7 – Gauge rings for socket outer contact (for dimensions see Table 4)	16
Figure 8 – Connector with pin-centre contact (for dimensions and key, see Table 5).....	17
Figure 9 – Connector with socket-centre contact (for dimensions and key, see Table 6)	19
Table 1 – Dimensions of connector with pin-centre contact	9
Table 2 – Dimensions of connector with socket-centre contact	11
Table 3 – Dimensions of gauge pins for socket-centre contact	15
Table 4 – Dimensions of gauge rings for socket outer contact	16
Table 5 – Dimensions of connector with pin-centre contact	18
Table 6 – Dimensions of connector with socket-centre contact	20
Table 7 – Climatic categories	21
Table 8 – Ratings and characteristics	21
Table 9 – Acceptance tests	24
Table 10 – Periodic tests	25

iTeh STANDARD PREVIEW
(standards.iteh.ai)

[IEC 61169-54:2021](https://standards.iteh.ai/catalog/standards/sist/2388f861-7d8e-4e42-8035-0ad676154c38/iec-61169-54-2021)

<https://standards.iteh.ai/catalog/standards/sist/2388f861-7d8e-4e42-8035-0ad676154c38/iec-61169-54-2021>

INTERNATIONAL ELECTROTECHNICAL COMMISSION

RADIO-FREQUENCY CONNECTORS –

**Part 54: Sectional specification for coaxial connectors
with 10 mm inner diameter of outer conductor,
nominal characteristic impedance 50 Ω , series 4,3-10**

FOREWORD

- 1) The International Electrotechnical Commission (IEC) is a worldwide organization for standardization comprising all national electrotechnical committees (IEC National Committees). The object of IEC is to promote international co-operation on all questions concerning standardization in the electrical and electronic fields. To this end and in addition to other activities, IEC publishes International Standards, Technical Specifications, Technical Reports, Publicly Available Specifications (PAS) and Guides (hereafter referred to as "IEC Publication(s)"). Their preparation is entrusted to technical committees; any IEC National Committee interested in the subject dealt with may participate in this preparatory work. International, governmental and non-governmental organizations liaising with the IEC also participate in this preparation. IEC collaborates closely with the International Organization for Standardization (ISO) in accordance with conditions determined by agreement between the two organizations.
- 2) The formal decisions or agreements of IEC on technical matters express, as nearly as possible, an international consensus of opinion on the relevant subjects since each technical committee has representation from all interested IEC National Committees.
- 3) IEC Publications have the form of recommendations for international use and are accepted by IEC National Committees in that sense. While all reasonable efforts are made to ensure that the technical content of IEC Publications is accurate, IEC cannot be held responsible for the way in which they are used or for any misinterpretation by any end user.
- 4) In order to promote international uniformity, IEC National Committees undertake to apply IEC Publications transparently to the maximum extent possible in their national and regional publications. Any divergence between any IEC Publication and the corresponding national or regional publication shall be clearly indicated in the latter.
- 5) IEC itself does not provide any attestation of conformity. Independent certification bodies provide conformity assessment services and, in some areas, access to IEC marks of conformity. IEC is not responsible for any services carried out by independent certification bodies.
- 6) All users should ensure that they have the latest edition of this publication.
- 7) No liability shall attach to IEC or its directors, employees, servants or agents including individual experts and members of its technical committees and IEC National Committees for any personal injury, property damage or other damage of any nature whatsoever, whether direct or indirect, or for costs (including legal fees) and expenses arising out of the publication, use of, or reliance upon, this IEC Publication or any other IEC Publications.
- 8) Attention is drawn to the Normative references cited in this publication. Use of the referenced publications is indispensable for the correct application of this publication.
- 9) Attention is drawn to the possibility that some of the elements of this IEC Publication may be the subject of patent rights. IEC shall not be held responsible for identifying any or all such patent rights.

IEC 61169-54 has been prepared by subcommittee 46F: RF and microwave passive components, of IEC technical committee 46: Cables, wires, waveguides, RF connectors, RF and microwave passive components and accessories. It is an International Standard.

This second edition cancels and replaces the first edition published in 2016. This edition constitutes a technical revision.

This edition includes the following significant technical changes with respect to the previous edition:

- a) updated patent statement,
- b) Table 8: some values changed.

The text of this International Standard is based on the following documents:

FDIS	Report on voting
46F/574/FDIS	46F/577/RVD

Full information on the voting for its approval can be found in the report on voting indicated in the above table.

The language used for the development of this International Standard is English.

This document was drafted in accordance with ISO/IEC Directives, Part 2, and developed in accordance with ISO/IEC Directives, Part 1 and ISO/IEC Directives, IEC Supplement, available at www.iec.ch/members_experts/refdocs. The main document types developed by IEC are described in greater detail at www.iec.ch/standardsdev/publications.

A list of all parts of the IEC 61169 series, under the general title: *Radio-frequency connectors*, can be found on the IEC website.

The committee has decided that the contents of this document will remain unchanged until the stability date indicated on the IEC website under "<http://webstore.iec.ch>" in the data related to the specific document. At this date, the document will be

- reconfirmed,
- withdrawn,
- replaced by a revised edition, or
- amended.

iTeh STANDARD PREVIEW
(standards.iteh.ai)

[IEC 61169-54:2021](https://standards.iteh.ai/catalog/standards/sist/2388f861-7d8e-4e42-8035-0ad676154c38/iec-61169-54-2021)

<https://standards.iteh.ai/catalog/standards/sist/2388f861-7d8e-4e42-8035-0ad676154c38/iec-61169-54-2021>

INTRODUCTION

The International Electrotechnical Commission (IEC) draws attention to the fact that it is claimed that compliance with this document may involve the use of a patent. IEC takes no position concerning the evidence, validity, and scope of this patent right.

The holder of this patent right has assured IEC that s/he is willing to negotiate licences under reasonable and non-discriminatory terms and conditions with applicants throughout the world. In this respect, the statement of the holder of this patent right is registered with IEC. Information may be obtained from the patent database available at <http://patents.iec.ch>.

Attention is drawn to the possibility that some of the elements of this document may be the subject of patent rights other than those in the patent database. IEC shall not be held responsible for identifying any or all such patent rights.

iTeh STANDARD PREVIEW **(standards.iteh.ai)**

[IEC 61169-54:2021](#)

<https://standards.iteh.ai/catalog/standards/sist/2388f861-7d8e-4e42-8035-0ad676154c38/iec-61169-54-2021>

RADIO-FREQUENCY CONNECTORS –

Part 54: Sectional specification for coaxial connectors with 10 mm inner diameter of outer conductor, nominal characteristic impedance 50 Ω , series 4,3-10

1 Scope

This part of IEC 61169, which is a sectional specification (SS), provides information and rules for the preparation of detail specifications (DS) for coaxial connectors with 10 mm inner diameter of outer conductor, characteristic impedance 50 Ω , series 4,3-10 with screw type, hand screw type or quick-lock type coupling, for an upper operating frequency limit of 6 GHz, for use in wireless telecommunication and wireless network applications in conjunction with appropriate transmission line types for these applications.

It also describes mating face dimensions for general purpose connectors, gauging information and tests selected from IEC 61169-1, applicable to all detail specifications relating to 4,3-10 series connectors.

This specification indicates the recommended performance characteristics to be considered when writing a detail specification and it covers test schedules and inspection requirements for assessment levels M and H.

2 Normative references

[IEC 61169-54:2021](#)

<https://standards.iteh.ai/catalog/standards/sist/2388f861-7d8e-4e42-8035->

The following documents are referred to in the text in such a way that some or all of their content constitutes requirements of this document. For dated references, only the edition cited applies. For undated references, the latest edition of the referenced document (including any amendments) applies.

IEC 61169-1:2013, *Radio-frequency connectors – Part 1: Generic specification – General requirements and measuring methods*

IEC 62037-1:2012, *Passive RF and microwave devices, intermodulation level measurement – Part 1: General requirements and measuring methods*

3 Terms and definitions

No terms and definitions are listed in this document.

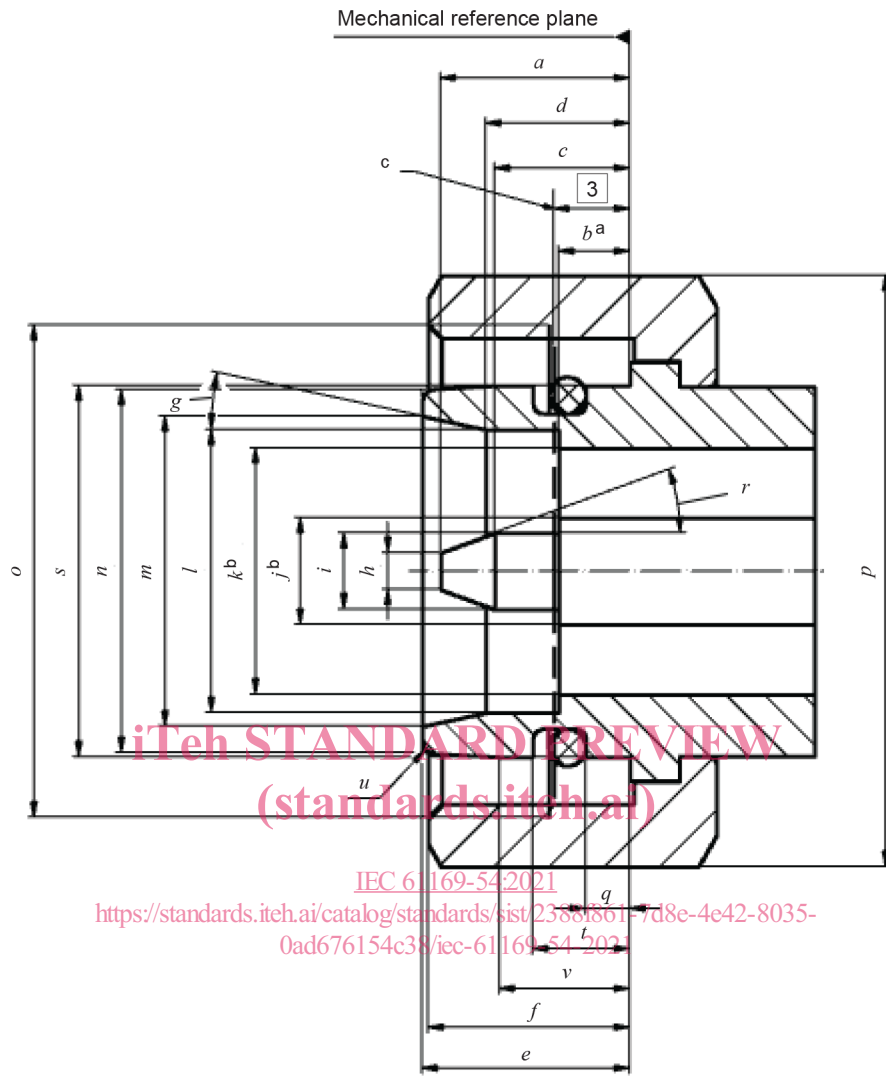
4 Mating face and gauge information

4.1 Dimensions – General connectors – Grade 2

4.1.1 Connector with pin-centre contact (see Figure 1)

Metric dimensions are original dimensions. All un-dimensioned pictorial configurations are for reference purpose only.

Dimensions in millimetres



IEC

**Figure 1 – Connector with pin-centre contact
(for dimensions and key, see Table 1)**

Table 1 – Dimensions of connector with pin-centre contact

Ref.	mm		Additional notes
	Min.	Max.	
<i>a</i>	–	8,0	
<i>b</i>	–	2,9	^a
<i>c</i>	5,0	–	
<i>d</i>	4,4	–	
<i>e</i>	8,3	8,5	
<i>f</i>	8,0	8,5	
<i>g</i>	10°	14°	
<i>h</i>	–	2,3	diameter
<i>i</i>	3,07	3,13	diameter
<i>j</i>	4,35 nom.		diameter ^b
<i>k</i>	10,0 nom.		diameter ^b
<i>l</i>	11,47	11,53	diameter
<i>m</i>	12,5	–	diameter
<i>n</i>	14,7	14,8	diameter
<i>o</i>	M20 × 1 tolerance 6H		thread
<i>p</i>	22 nom.		wrench size
<i>q</i>	1,8		
<i>r</i>	20° nom.		
<i>s</i>	15,07	15,11	diameter
<i>t</i>	4,1		
<i>u</i>	0,5 nom.		radius
<i>v</i>	5,1	5,5	

^a Applicable for inner and outer contact.

^b For 50 Ω nominal impedance.

^c Electrical reference plane.

4.1.2 Connector with socket-centre contact (see Figure 2)

Dimensions in millimetres

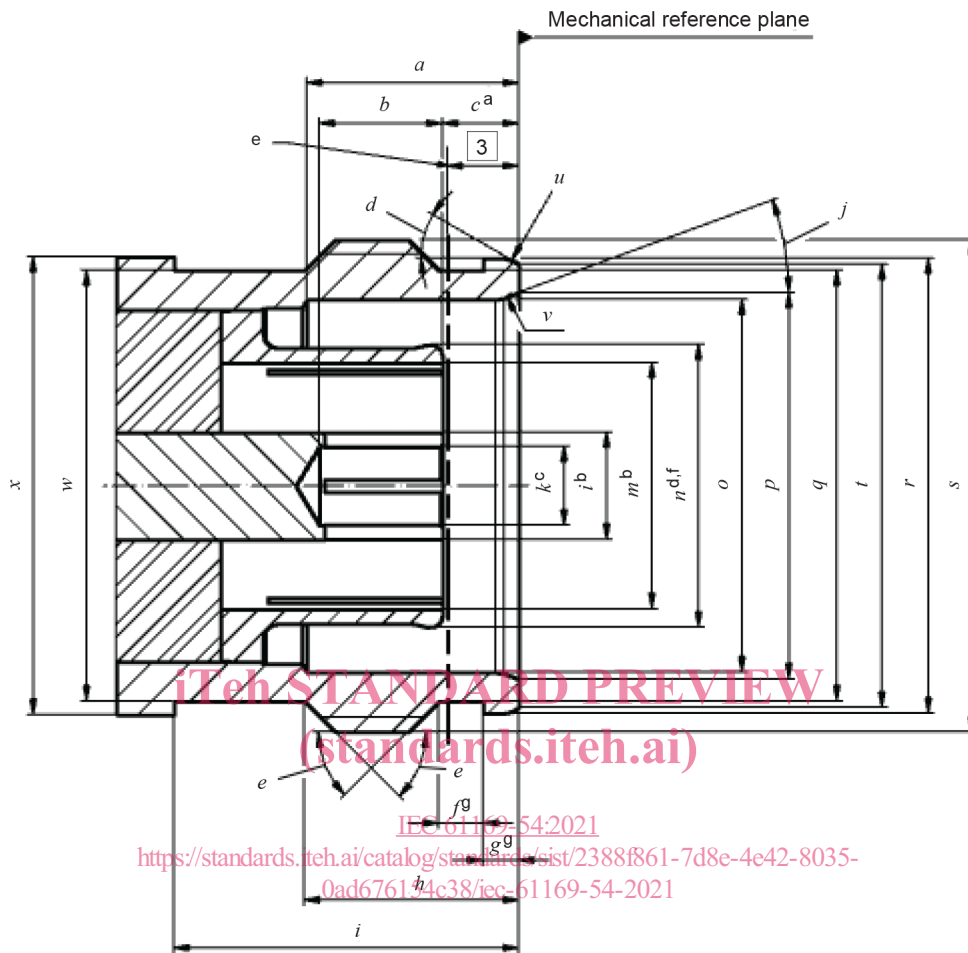


Figure 2 – Connector with socket-centre contact (for dimensions and key, see Table 2)

IEC

Table 2 – Dimensions of connector with socket-centre contact

Ref.	mm		Additional notes
	Min.	Max.	
<i>a</i>	8,5	–	
<i>b</i>	5,0	–	
<i>c</i>	3,1	3,5	a
<i>d</i>	30° nom.		
<i>e</i>	45° nom.		g
<i>f</i>	1,7	1,9	g
<i>g</i>	1,44	1,50	g
<i>h</i>	8,7	9,0	
<i>i</i>	13,9	14,1	
<i>j</i>	20° nom.		
<i>k</i>			c
<i>l</i>	4,35 nom.		diameter ^b
<i>m</i>	9,8	10,2	diameter ^b
<i>n</i>	–	12,3	d, f
<i>o</i>	15,13	15,19	diameter
<i>p</i>	15,7	15,9	diameter
<i>q</i>	17,4	17,5	diameter ^g
<i>r</i>	18,44	18,5	diameter ^g
<i>s</i>	M20 × 1 tolerance 6g		thread
<i>t</i>	17,9	18,1	diameter
<i>u</i>	0,6 nom.		radius
<i>v</i>	1,0 nom.		radius
<i>w</i>	17,45	17,55	diameter
<i>x</i>	18,6	–	diameter

^a Applicable for inner and outer contact.

^b For 50 Ω nominal impedance.

^c Resilient to meet the requirements with gauge pins for socket centre contact.

^d Expand to meet the requirements with gauge rings for socket outer contact.

^e Electrical reference plane.

^f In unmated condition.

^g Rim and groove on socket front provided for quick lock attachment.

4.1.3 Presentation of possible coupling mechanisms

4.1.3.1 Screw type (see Figure 3)

Dimensions in millimetres

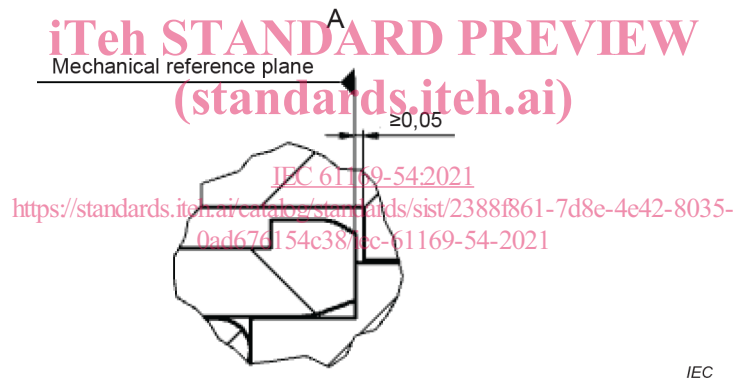
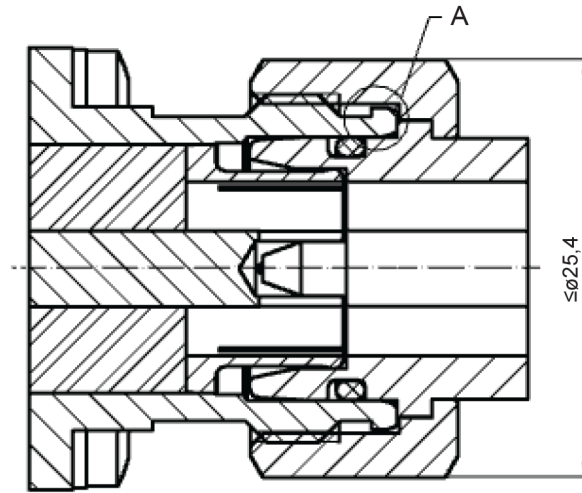


Figure 3 – Screw type

4.1.3.2 Hand screw type (see Figure 4)

Dimensions in millimetres

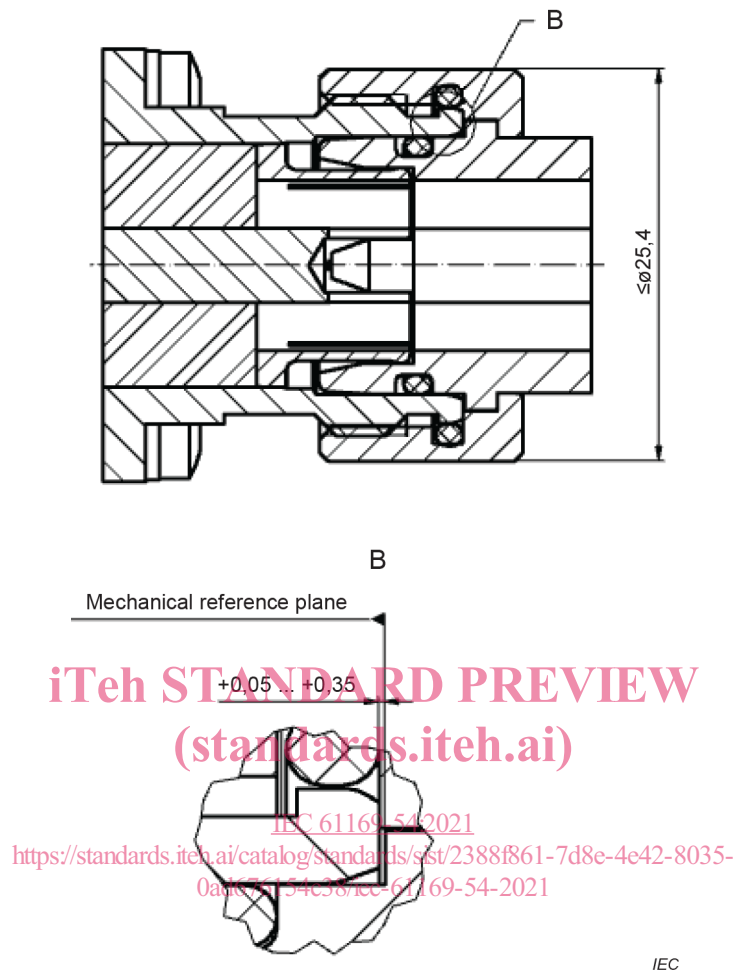


Figure 4 – Hand screw type