

INTERNATIONAL ELECTROTECHNICAL COMMISSION

IEC 60205
 Edition 4.0 2016-11

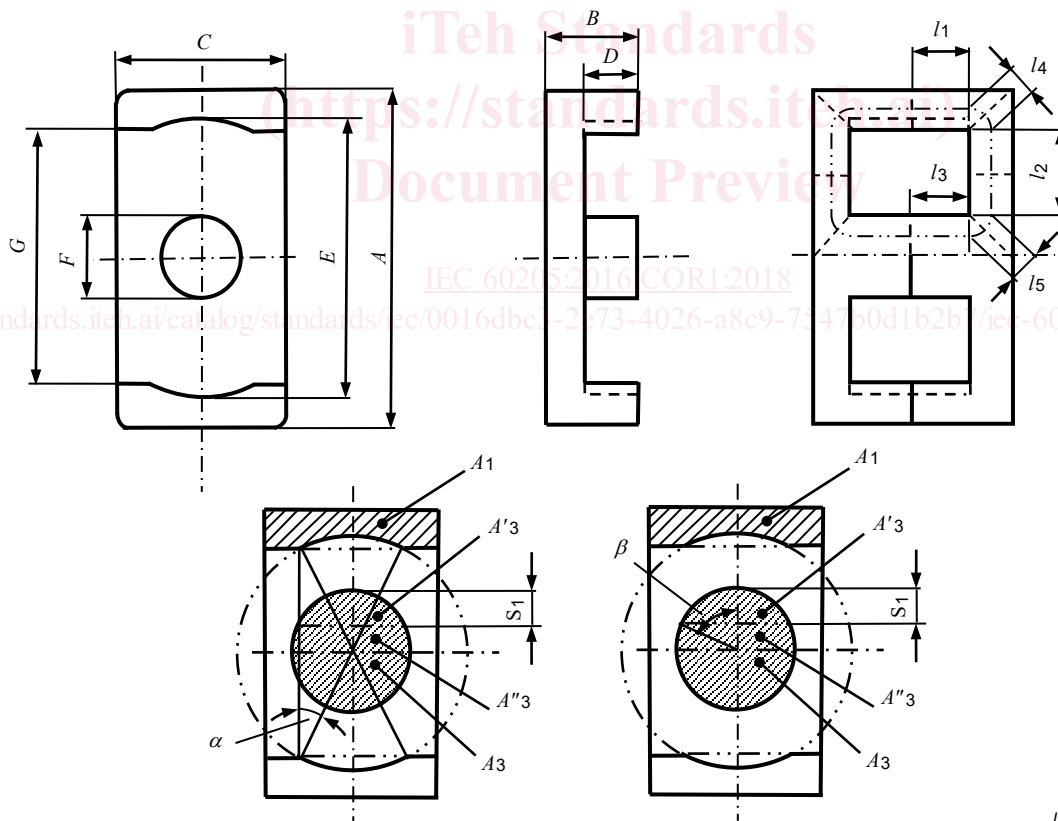
CALCULATION OF THE EFFECTIVE PARAMETERS
 OF MAGNETIC PIECE PARTS

CORRIGENDUM 1

5.11 Pair of ER-cores (low profile)

Figure 12 – Pair of ER-cores (low profile)

Replace Figure 12 with the following:



IEC

Replace, in the paragraph starting with "The condition to obtain $A'_3 = A''_3$ is", the first formula with the following:

$$S_1 = \frac{1}{2} F (1 - \cos \beta) = 0,29801F$$