

# INTERNATIONAL STANDARD

Optical circuit boards –  
Part 4-214: Interface standards – Terminated waveguide OCB assembly using  
a single-row thirty-two-channel symmetric PMT connector

[IEC 62496-4-214:2020](https://standards.iteh.ai/catalog/standards/sist/ee162318-c75e-41a1-9903-39fe61c9b8e2/iec-62496-4-214-2020)

<https://standards.iteh.ai/catalog/standards/sist/ee162318-c75e-41a1-9903-39fe61c9b8e2/iec-62496-4-214-2020>



**THIS PUBLICATION IS COPYRIGHT PROTECTED**  
**Copyright © 2020 IEC, Geneva, Switzerland**

All rights reserved. Unless otherwise specified, no part of this publication may be reproduced or utilized in any form or by any means, electronic or mechanical, including photocopying and microfilm, without permission in writing from either IEC or IEC's member National Committee in the country of the requester. If you have any questions about IEC copyright or have an enquiry about obtaining additional rights to this publication, please contact the address below or your local IEC member National Committee for further information.

IEC Central Office  
3, rue de Varembe  
CH-1211 Geneva 20  
Switzerland

Tel.: +41 22 919 02 11  
[info@iec.ch](mailto:info@iec.ch)  
[www.iec.ch](http://www.iec.ch)

**About the IEC**

The International Electrotechnical Commission (IEC) is the leading global organization that prepares and publishes International Standards for all electrical, electronic and related technologies.

**About IEC publications**

The technical content of IEC publications is kept under constant review by the IEC. Please make sure that you have the latest edition, a corrigendum or an amendment might have been published.

**IEC publications search - [webstore.iec.ch/advsearchform](http://webstore.iec.ch/advsearchform)**

The advanced search enables to find IEC publications by a variety of criteria (reference number, text, technical committee,...). It also gives information on projects, replaced and withdrawn publications.

**IEC Just Published - [webstore.iec.ch/justpublished](http://webstore.iec.ch/justpublished)**

Stay up to date on all new IEC publications. Just Published details all new publications released. Available online and once a month by email.

**IEC Customer Service Centre - [webstore.iec.ch/csc](http://webstore.iec.ch/csc)**

If you wish to give us your feedback on this publication or need further assistance, please contact the Customer Service Centre: [sales@iec.ch](mailto:sales@iec.ch).

**Electropedia - [www.electropedia.org](http://www.electropedia.org)**

The world's leading online dictionary on electrotechnology, containing more than 22 000 terminological entries in English and French, with equivalent terms in 16 additional languages. Also known as the International Electrotechnical Vocabulary (IEV) online.

**IEC Glossary - [std.iec.ch/glossary](http://std.iec.ch/glossary)**

67 000 electrotechnical terminology entries in English and French extracted from the Terms and Definitions clause of IEC publications issued since 2002. Some entries have been collected from earlier publications of IEC TC 37, 77, 86 and CISPR.

[IEC 62496-4-214:2020](https://standards.iteh.ai/catalog/standards/sist/ee162318-c75e-41a1-9903-39fe61c9b8e2/iec-62496-4-214-2020)

[https://standards.iteh.ai/catalog/standards/sist/ee162318-c75e-41a1-9903-](https://standards.iteh.ai/catalog/standards/sist/ee162318-c75e-41a1-9903-39fe61c9b8e2/iec-62496-4-214-2020)

[39fe61c9b8e2/iec-62496-4-214-2020](https://standards.iteh.ai/catalog/standards/sist/ee162318-c75e-41a1-9903-39fe61c9b8e2/iec-62496-4-214-2020)

# INTERNATIONAL STANDARD

---

**Optical circuit boards –**  
**Part 4-214: Interface standards – Terminated waveguide OCB assembly using**  
**a single-row thirty-two-channel symmetric PMT connector**

[IEC 62496-4-214:2020](https://standards.iteh.ai/catalog/standards/sist/ee162318-c75e-41a1-9903-39fe61c9b8e2/iec-62496-4-214-2020)

<https://standards.iteh.ai/catalog/standards/sist/ee162318-c75e-41a1-9903-39fe61c9b8e2/iec-62496-4-214-2020>

INTERNATIONAL  
ELECTROTECHNICAL  
COMMISSION

---

ICS 33.180.01

ISBN 978-2-8322-8307-3

**Warning! Make sure that you obtained this publication from an authorized distributor.**

## CONTENTS

FOREWORD.....	3
1 Scope.....	5
2 Normative references .....	5
3 Terms and definitions .....	5
4 Description .....	5
5 Interface dimensions of thirty-two-channel for the assembly, guide pins and clamp spring.....	6
Annex A (informative) Dimensions of an example of components for the assembly .....	10
A.1 Symmetric PMT connector .....	10
A.2 Waveguide OCB .....	11
Annex B (informative) Dimensions of an example of a single-row thirty-two-channel MT ferrule .....	13
Bibliography.....	16
Figure 1 – Interconnection between the assembly and the MT connector.....	6
Figure 2 – Interface dimensions of thirty-two-channel for the assembly.....	6
Figure 3 – Interface views of thirty-two-channel for the assembly.....	7
Figure 4 – Interface views of the guide pin.....	8
Figure 5 – Interface views of the clamp spring.....	8
Figure A.1 – An example of components of the symmetric PMT connector.....	10
Figure A.2 – Expanded view of end-face for an example of the single-row thirty-two-channel PMT body.....	11
Figure A.3 – Positions of the example of thirty-two channel ports of OCB .....	12
Figure B.1 – Interface dimensions of an example of single-row thirty-two-channel MT ferrule .....	13
Figure B.2 – Interface views of an example of single-row thirty-two-channel MT ferrule .....	14
Table 1 – Interface dimensions of thirty-two-channel for the assembly.....	7
Table 2 – Positions of cores of thirty-two-channel for the assembly.....	7
Table 3 – Interface dimensions of the guide pin .....	8
Table 4 – Interface dimensions of the clamp spring.....	9
Table A.1 – Interface dimensions of an example of the single-row thirty-two-channel for PMT body .....	11
Table A.2 – Positions of cores for an example of the thirty-two-channel ports of OCB.....	12
Table B.1 – Interface dimensions of an example of single-row thirty-two-channel MT ferrule.....	14
Table B.2 – Fibre hole positions of an example of single-row thirty-two-channel MT ferrule .....	15

## INTERNATIONAL ELECTROTECHNICAL COMMISSION

## OPTICAL CIRCUIT BOARDS –

**Part 4-214: Interface standards – Terminated waveguide OCB assembly using a single-row thirty-two-channel symmetric PMT connector**

## FOREWORD

- 1) The International Electrotechnical Commission (IEC) is a worldwide organization for standardization comprising all national electrotechnical committees (IEC National Committees). The object of IEC is to promote international co-operation on all questions concerning standardization in the electrical and electronic fields. To this end and in addition to other activities, IEC publishes International Standards, Technical Specifications, Technical Reports, Publicly Available Specifications (PAS) and Guides (hereafter referred to as "IEC Publication(s)"). Their preparation is entrusted to technical committees; any IEC National Committee interested in the subject dealt with may participate in this preparatory work. International, governmental and non-governmental organizations liaising with the IEC also participate in this preparation. IEC collaborates closely with the International Organization for Standardization (ISO) in accordance with conditions determined by agreement between the two organizations.
- 2) The formal decisions or agreements of IEC on technical matters express, as nearly as possible, an international consensus of opinion on the relevant subjects since each technical committee has representation from all interested IEC National Committees.
- 3) IEC Publications have the form of recommendations for international use and are accepted by IEC National Committees in that sense. While all reasonable efforts are made to ensure that the technical content of IEC Publications is accurate, IEC cannot be held responsible for the way in which they are used or for any misinterpretation by any end user.
- 4) In order to promote international uniformity, IEC National Committees undertake to apply IEC Publications transparently to the maximum extent possible in their national and regional publications. Any divergence between any IEC Publication and the corresponding national or regional publication shall be clearly indicated in the latter.
- 5) IEC itself does not provide any attestation of conformity. Independent certification bodies provide conformity assessment services and, in some areas, access to IEC marks of conformity. IEC is not responsible for any services carried out by independent certification bodies.
- 6) All users should ensure that they have the latest edition of this publication.
- 7) No liability shall attach to IEC or its directors, employees, servants or agents including individual experts and members of its technical committees and IEC National Committees for any personal injury, property damage or other damage of any nature whatsoever, whether direct or indirect, or for costs (including legal fees) and expenses arising out of the publication, use of, or reliance upon, this IEC Publication or any other IEC Publications.
- 8) Attention is drawn to the Normative references cited in this publication. Use of the referenced publications is indispensable for the correct application of this publication.
- 9) Attention is drawn to the possibility that some of the elements of this IEC Publication may be the subject of patent rights. IEC shall not be held responsible for identifying any or all such patent rights.

International Standard IEC 62496-4-214 has been prepared by IEC technical committee 86: Fibre optics.

The text of this International Standard is based on the following documents:

CDV	Report on voting
86/563/CDV	86/564/RVC

Full information on the voting for the approval of this International Standard can be found in the report on voting indicated in the above table.

This document has been drafted in accordance with the ISO/IEC Directives, Part 2.

A list of all parts in the IEC 62496 series, published under the general title *Optical circuit boards*, can be found on the IEC website.

The committee has decided that the contents of this document will remain unchanged until the stability date indicated on the IEC website under "<http://webstore.iec.ch>" in the data related to the specific document. At this date, the document will be

- reconfirmed,
- withdrawn,
- replaced by a revised edition, or
- amended.

## **iTeh STANDARD PREVIEW (standards.iteh.ai)**

[IEC 62496-4-214:2020](#)

<https://standards.iteh.ai/catalog/standards/sist/ee162318-c75e-41a1-9903-39fe61c9b8e2/iec-62496-4-214-2020>

## OPTICAL CIRCUIT BOARDS –

### Part 4-214: Interface standards – Terminated waveguide OCB assembly using a single-row thirty-two-channel symmetric PMT connector

#### 1 Scope

This part of IEC 62496 defines the standard interface dimensions for a terminated waveguide optical circuit board (OCB) assembly (referred to simply as "assembly") using single-row thirty-two-channel connectors for polymer waveguides connected with a symmetric PMT connector.

#### 2 Normative references

The following documents are referred to in the text in such a way that some or all of their content constitutes requirements of this document. For dated references, only the edition cited applies. For undated references, the latest edition of the referenced document (including any amendments) applies.

IEC 62496-1, *Optical circuit boards – Part 1: General*

IEC 62496-4, *Optical circuit boards – Part 4: Interface standards – General and guidance*

#### 3 Terms and definitions

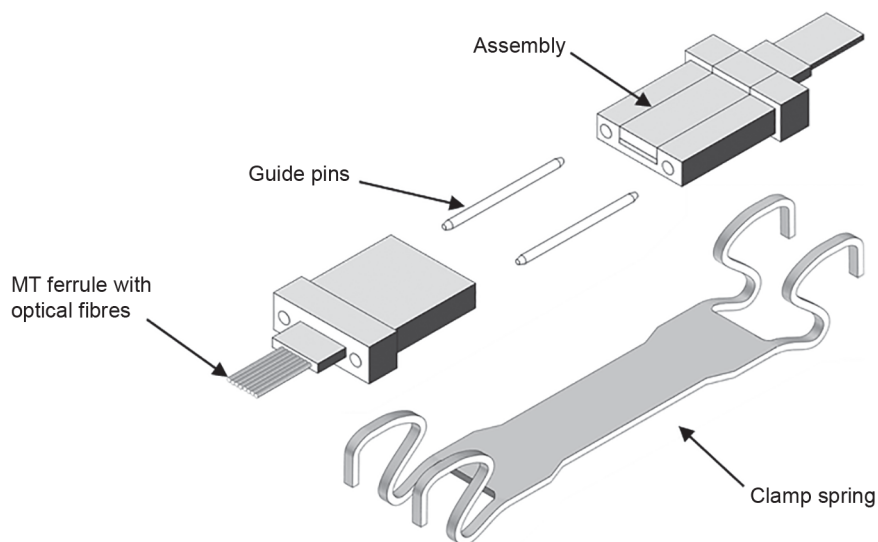
For the purposes of this document, the terms and definitions given in IEC 62496-1 and IEC 62496-4 apply.

ISO and IEC maintain terminological databases for use in standardization at the following addresses:

- IEC Electropedia: available at <http://www.electropedia.org/>
- ISO Online browsing platform: available at <http://www.iso.org/obp>

#### 4 Description

The assembly is an assembly comprised of a symmetric PMT connector and a thirty-two-channel waveguide OCB. The symmetric PMT connector is a rectangular connector having the same outer dimensions as the type MT connector specified in IEC 61754-5. The symmetric PMT connector is aligned using alignment pins and is normally secured by the use of a latching spring and mates with the type MT connector as shown in Figure 1. Dimensions of components for the assembly are shown in Annex A. The waveguide OCB comprises a planar light-guide consisting of a core and cladding material appropriate to transmit light as the operational wavelengths require, the light-guide being supported on a substrate. Preferably, the substrate will be flexible in order to accommodate compliance to the MT connector. The cores of the waveguide OCB are aligned with the optical fibres of the MT connector after mating using two guide pins and a clamp spring. Dimensions of a single-row thirty-two-channel MT ferrule are shown in Annex B. This symmetric PMT connector is not intermateable with the standard 16 channel MT ferrules.



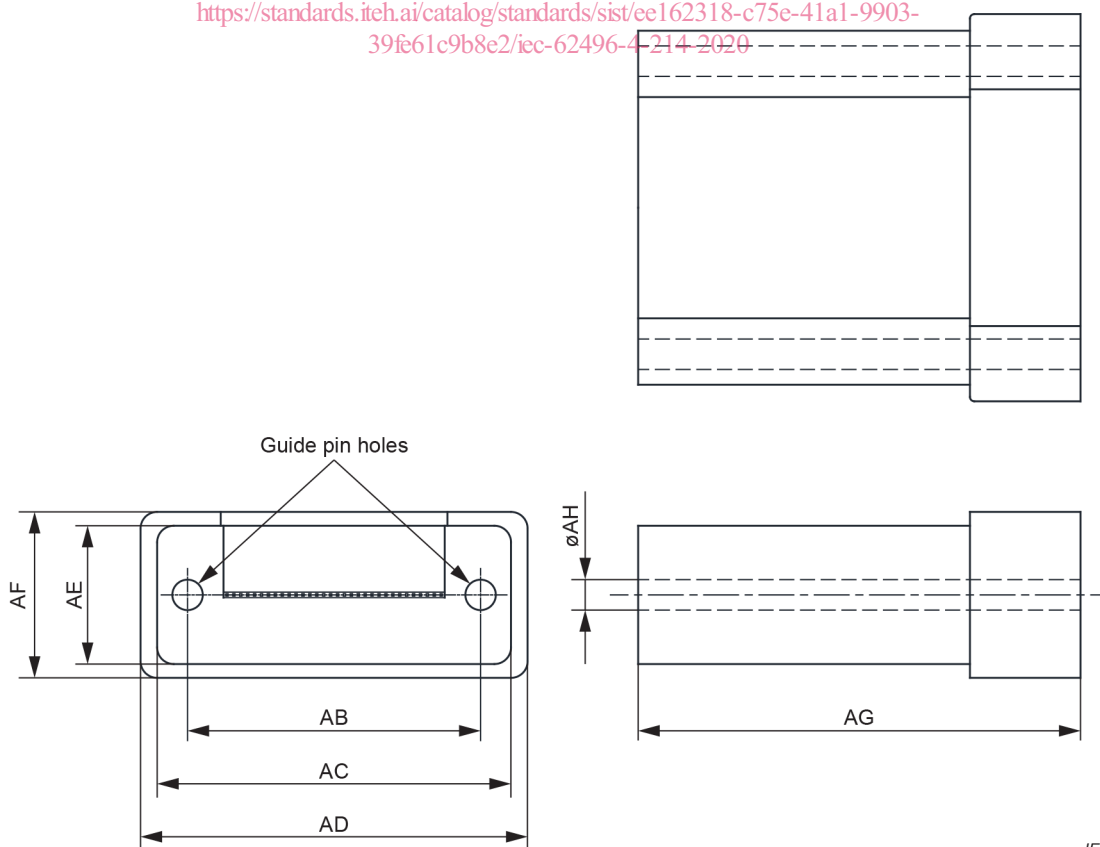
IEC

Figure 1 – Interconnection between the assembly and the MT connector

### 5 Interface dimensions of thirty-two-channel for the assembly, guide pins and clamp spring

Figure 2 and Figure 3 and Table 1 show interface dimensions for the assembly. Table 2 shows positions of the cores for the assembly. The origin point of the assembly is the midpoint of the centres of two guide-holes. Figure 4 and Table 3 show the interface dimensions for a guide pin. Figure 5 and Table 4 show the interface dimensions for a clamp spring.

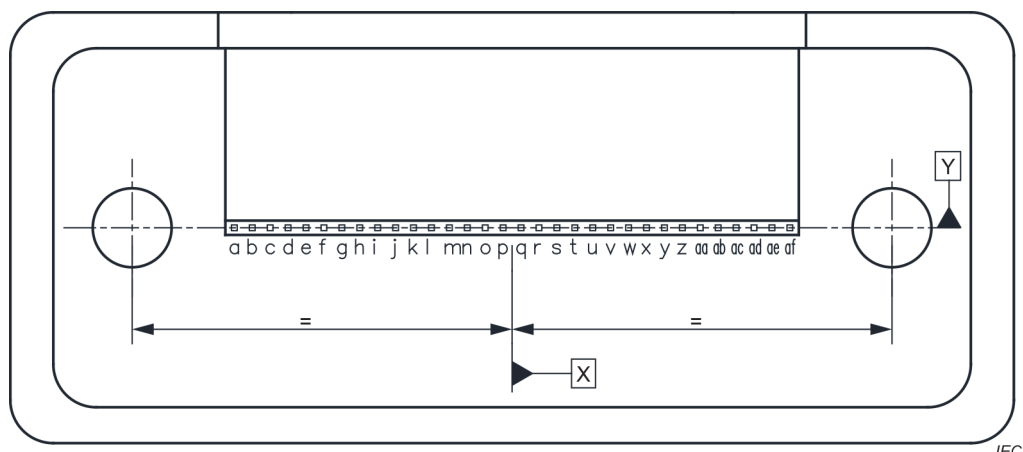
<https://standards.iteh.ai/catalog/standards/sist/ee162318-c75e-41a1-9903-39fe61c9b8e2/iec-62496-4-214-2020>



IEC

Figure 2 – Interface dimensions of thirty-two-channel for the assembly





NOTE The X-axis is defined as the line connecting the two centres of two guide pin holes. The Y axis is defined as the line orthogonal to the X axis intersecting the midpoint of the centres of the two guide pin holes.  $\square$ X shows the zero point of the X-axis and  $\square$ Y shows the zero point of the Y-axis.

**Figure 3 – Interface views of thirty-two-channel for the assembly**

**Table 1 – Interface dimensions of thirty-two-channel for the assembly**

Reference	Dimensions mm	
	Minimum	Maximum
AB	5,297	5,303
AC	6,300	6,500
AD	6,900	7,100
AE	2,400	2,500
AF	2,900	3,100
AG	7,900	8,100
AH	0,549	0,551

**Table 2 – Positions of cores of thirty-two-channel for the assembly**

Reference	X mm	Y mm	Reference	X mm	Y mm
a	-1,937 5	0,000	q	0,062 5	0,000
b	-1,812 5	0,000	r	0,187 5	0,000
c	-1,687 5	0,000	s	0,312 5	0,000
d	-1,562 5	0,000	t	0,437 5	0,000
e	-1,437 5	0,000	u	0,562 5	0,000
f	-1,312 5	0,000	v	0,687 5	0,000
g	-1,187 5	0,000	w	0,812 5	0,000
h	-1,062 5	0,000	x	0,937 5	0,000
i	-0,937 5	0,000	y	1,062 5	0,000
j	-0,812 5	0,000	z	1,187 5	0,000
k	-0,687 5	0,000	aa	1,312 5	0,000
l	-0,562 5	0,000	ab	1,437 5	0,000
m	-0,437 5	0,000	ac	1,562 5	0,000
n	-0,312 5	0,000	ad	1,687 5	0,000
o	-0,187 5	0,000	ae	1,812 5	0,000
P	-0,062 5	0,000	af	1,937 5	0,000

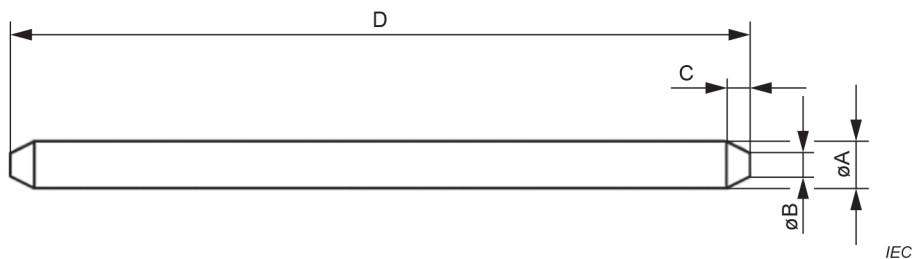


Figure 4 – Interface views of the guide pin

Table 3 – Interface dimensions of the guide pin

References	Dimensions mm	
	Minimum	Maximum
A	0,547	0,549
B	0,1	0,2
C	0,15	0,35
D	10,8	11,2

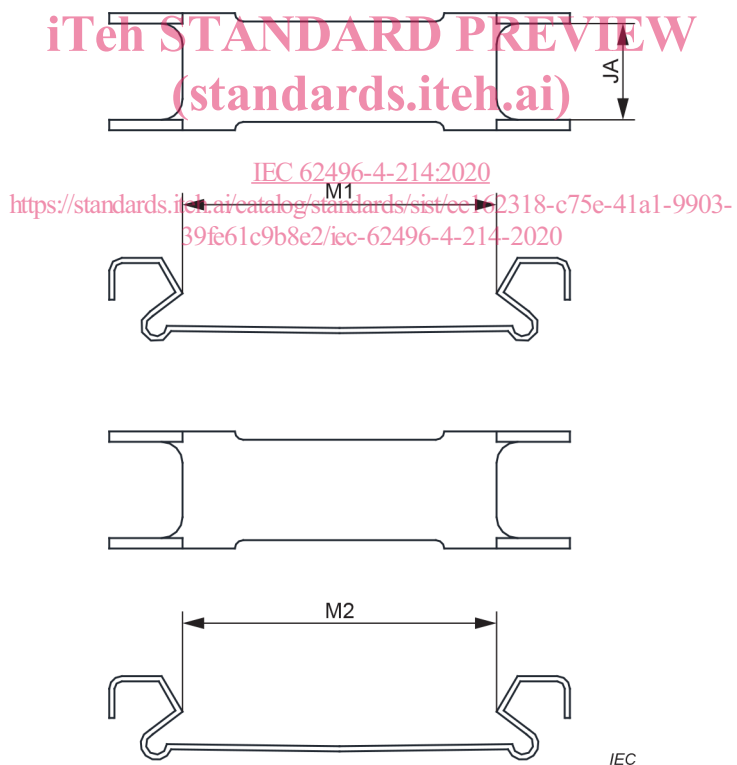


Figure 5 – Interface views of the clamp spring

**Table 4 – Interface dimensions of the clamp spring**

References	Dimensions	
	mm	
	Minimum	Maximum
M1 <sup>a</sup>	14,8	15,2
M2 <sup>b</sup>	15,8	16,2
JA	4,55	4,65

<sup>a</sup> Length in free condition.

<sup>b</sup> Compression force for clamping condition shall be 6,8 N to 12,8 N when dimension M2 is between 15,8 mm and 16,2 mm.

## iTeh STANDARD PREVIEW (standards.iteh.ai)

[IEC 62496-4-214:2020](https://standards.iteh.ai/catalog/standards/sist/ee162318-c75e-41a1-9903-39fe61c9b8e2/iec-62496-4-214-2020)

<https://standards.iteh.ai/catalog/standards/sist/ee162318-c75e-41a1-9903-39fe61c9b8e2/iec-62496-4-214-2020>