



Designation: D4932/D4932M – 89 (Reapproved 2019)

Standard Test Method for Fastener Rupture and Tear Resistance of Roofing and Waterproofing Sheets, Roll Roofing, and Shingles¹

This standard is issued under the fixed designation D4932/D4932M; the number immediately following the designation indicates the year of original adoption or, in the case of revision, the year of last revision. A number in parentheses indicates the year of last reapproval. A superscript epsilon (ϵ) indicates an editorial change since the last revision or reapproval.

1. Scope

1.1 This test method covers the determination of the force needed to pull a fastener through any type of roofing or waterproofing ply sheet, roll roofing, or shingle, or to cause fastener failure under specified laboratory conditions.

1.2 The values stated in either SI units or inch-pound units are to be regarded separately as standard. The values stated in each system may not be exact equivalents; therefore, each system shall be used independently of the other. Combining values from the two systems may result in non-conformance with the standard.

1.3 *This standard does not purport to address all of the safety concerns, if any, associated with its use. It is the responsibility of the user of this standard to establish appropriate safety, health, and environmental practices and determine the applicability of regulatory limitations prior to use.*

1.4 *This international standard was developed in accordance with internationally recognized principles on standardization established in the Decision on Principles for the Development of International Standards, Guides and Recommendations issued by the World Trade Organization Technical Barriers to Trade (TBT) Committee.*

2. Referenced Documents

2.1 *ASTM Standards:*²

D226/D226M Specification for Asphalt-Saturated Organic Felt Used in Roofing and Waterproofing

3. Summary of Test Method

3.1 The force perpendicular to the fastener shank to tear the sheet or to cause fastener failure is measured with the fastener head seated and not seated (tear).

¹ This test method is under the jurisdiction of ASTM Committee D08 on Roofing and Waterproofing and is the direct responsibility of Subcommittee D08.20 on Roofing Membrane Systems.

Current edition approved May 1, 2019. Published June 2019. Originally approved in 1989. Last previous edition approved in 2014 as D4932/D4932M – 89 (2014)^{ε1}. DOI: 10.1520/D4932_D4932M-89R19.

² For referenced ASTM standards, visit the ASTM website, www.astm.org, or contact ASTM Customer Service at service@astm.org. For *Annual Book of ASTM Standards* volume information, refer to the standard's Document Summary page on the ASTM website.

3.2 The force parallel to the fastener shank to rupture the sheet or to cause fastener failure is measured with the head seated (rupture, head pull-through).

4. Significance and Use

4.1 Test values for the resistance of specific ply sheets, roll roofing, or shingles to selected fastener pull-through may assist in the determination of appropriate fastener spacing. The relative behavior of different fasteners and fasteners with and without caps may be evaluated.

4.2 Laboratory data will not permit prediction of field performance, particularly long-term performance, and if all test conditions are not the same, data may not be comparable.

5. Apparatus

5.1 *Testing Machine*—Universal or tensile testing machine with automatic load recording equipment, capable of cross-head movement at a constant rate of 25.4 mm/min [1.00 in./min].

5.2 *Grips*—Self-aligning grips or clamps for holding the free end of the test specimen and the nailer holding jig without slippage during the test.

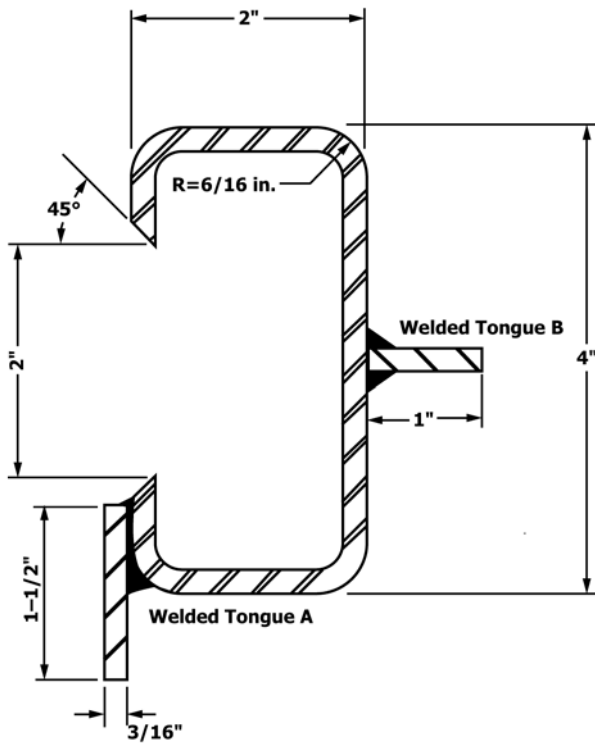
5.3 *Nailer Holding Jig*—100-mm [4-in.] length of cold-formed carbon steel, rectangular structural tubing with outside nominal dimensions of 102 by 51 mm [4 by 2 in.] and 4.8-mm [$\frac{3}{16}$ -in.] wall thickness, fabricated as shown in Fig. 1.

5.4 *Wood Nailers*, 33 by 89 – 13, + 1 by 102 mm [1.5 by 3.5 – 0.5, + 0.05 by 4 in.] (nominal 2 by 4 in. lumber cut to 4 in. length is appropriate). Thirty nailers are required per sample.

NOTE 1—The wood nailers must hold the fastener securely and remain secure in the nailer holding jig during the test. The 89-mm [3.5-in.] dimension is critical for the nailer to be secure in the jig; the other dimensions are not critical and may be varied so long as the nailer works. If preferred, the operator may use continuous lengths of nailer stock up to 1 m [40 in.] long for multiple specimens as opposed to cutting separate nailers for each specimen.

6. Sampling and Test Specimens

6.1 Cut 15 MD specimens, 175 by 100 mm [7 by 4 in.], in the machine direction (MD) and another 15 XMD specimens in the cross-machine direction (XMD) from a representative



NOTE 1—Stock wall thickness is 5 mm [$\frac{3}{16}$ in.].

FIG. 1 Nailer Holding Jig, 100 mm [4 in.] Long, Cold-Formed Carbon Steel

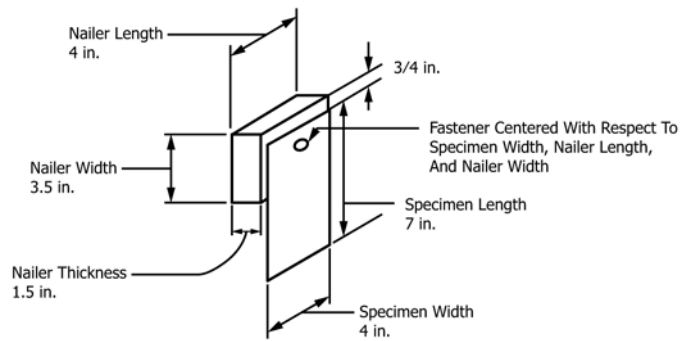


FIG. 2 Specimens Fastened to Nailer

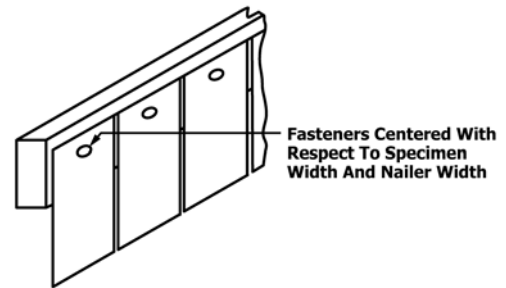


FIG. 3 Multiple Specimens Fastened to Long Nailer

portion of the sheet to be tested. If no particular sheet is specified, use Type 1 asphalt-saturated organic felt conforming to the requirements prescribed in Specification D226/D226M.

6.2 Thirty fasteners of the type to be tested are required. If no particular fastener is specified, use galvanized roofing nails with a 38-mm [$1\frac{1}{2}$ in.] long 3.6-mm [0.1205-in.] diameter straight shank and a 9.5-mm [$\frac{3}{8}$ -in.] diameter head.

7. Conditioning

7.1 Condition all specimens and nailers at 20 to 25°C [68 to 77°F] and at $50 \pm 5\%$ relative humidity for a minimum of 16 h prior to testing.

8. Procedure

8.1 Position each sheet specimen on a broad side of a nailer so that a 100-mm [4-in.] side of the sheet specimen is parallel to and 20 ± 2 mm [0.75 ± 0.125 in.] from a 100-mm [4-in.] side of the nailer as shown in Fig. 2. Fasten each specimen to its nailer with a fastener centered in the nailer and centered with respect to the sheet width.

NOTE 2—If continuous lengths of nailers up to 1 m [40 in.] long are used, the specimens should be positioned side by side on a broad side of a nailer with a 100-mm [4-in.] side 20 ± 2 mm [0.75 ± 0.125 in.] from a long side of the nailer. For each specimen the fastener should be centered with respect to the nailer width and sample width. See Fig. 3.

8.1.1 In ten of the MD specimens and ten of the XMD specimens, seat the heads of the nails firmly, but without crushing the sheet.

8.1.2 In the remaining five MD and five XMD specimens, set the heads of the fasteners with a 1-mm [0.04-in.] gap between the top of the sheet and the underside of the fastener head or cap.

NOTE 3—A 1-mm [0.04-in.] thick feeler gauge aids in establishing the gap.

8.2 Measure the shank tear resistance on five of the ten MD specimens with seated fasteners and all five with unseated fasteners; similarly measure the shank tear resistance on five of the ten XMD specimens with seated fasteners and all five with unseated fasteners, as follows:

8.2.1 Clamp the tongue on the narrow side of the nailer holding jig in the lower grip of the testing machine, and slide the nailer into the jig so that the sheet specimens are on the same side of the jig as the slot, and the long end of the specimen is on top.

8.2.2 Set the grips of the testing machine 152 ± 5 mm [$6 \pm \frac{1}{4}$ in.] apart.

8.2.3 Position the nailer in the jig so that the long end of the specimen can be centered with respect to the upper grip and clamp it into the upper grip. See Fig. 4a.

8.2.4 Start the testing machine and move the grips apart at the rate of 25.4 mm/min [1.0 in./min].

8.2.5 Record the maximum force and the type of failure observed (shank tear or fastener failure). Reject results if the fastener pulls out of the nailer.

8.2.6 Repeat the steps described in 8.2.2 through 8.2.5 until all 20 specimens have been tested for shank tear resistance.

8.3 Measure the nail head rupture resistance on the remaining five MD and five XMD specimens with seated nails as follows (see Fig. 3):