

# INTERNATIONAL STANDARD



Lead-acid starter batteries – **INTERNATIONAL STANDARD PREVIEW**  
Part 4: Dimensions of batteries for heavy vehicles  
(standards.iteh.ai)

[IEC 60095-4:2021](#)

<https://standards.iteh.ai/catalog/standards/sist/735c19a2-dcd4-489b-82a1-0b7d1fc88b05/iec-60095-4-2021>



**THIS PUBLICATION IS COPYRIGHT PROTECTED**  
**Copyright © 2021 IEC, Geneva, Switzerland**

All rights reserved. Unless otherwise specified, no part of this publication may be reproduced or utilized in any form or by any means, electronic or mechanical, including photocopying and microfilm, without permission in writing from either IEC or IEC's member National Committee in the country of the requester. If you have any questions about IEC copyright or have an enquiry about obtaining additional rights to this publication, please contact the address below or your local IEC member National Committee for further information.

IEC Central Office  
3, rue de Varembe  
CH-1211 Geneva 20  
Switzerland

Tel.: +41 22 919 02 11  
[info@iec.ch](mailto:info@iec.ch)  
[www.iec.ch](http://www.iec.ch)

**About the IEC**

The International Electrotechnical Commission (IEC) is the leading global organization that prepares and publishes International Standards for all electrical, electronic and related technologies.

**About IEC publications**

The technical content of IEC publications is kept under constant review by the IEC. Please make sure that you have the latest edition, a corrigendum or an amendment might have been published.

**IEC publications search - [webstore.iec.ch/advsearchform](http://webstore.iec.ch/advsearchform)**

The advanced search enables to find IEC publications by a variety of criteria (reference number, text, technical committee, ...). It also gives information on projects, replaced and withdrawn publications.

**IEC online collection - [oc.iec.ch](http://oc.iec.ch)**

Discover our powerful search engine and read freely all the publications previews. With a subscription you will always have access to up to date content tailored to your needs.

**IEC Just Published - [webstore.iec.ch/justpublished](http://webstore.iec.ch/justpublished)**

Stay up to date on all new IEC publications. Just Published details all new publications released. Available online and once a month by email.

**Electropedia - [www.electropedia.org](http://www.electropedia.org)**

The world's leading online dictionary on electrotechnology, containing more than 22 000 terminological entries in English and French, with equivalent terms in 18 additional languages. Also known as the International Electrotechnical Vocabulary (IEV) online.

**IEC Customer Service Centre - [webstore.iec.ch/csc](http://webstore.iec.ch/csc)**

If you wish to give us your feedback on this publication or need further assistance, please contact the Customer Service Centre: [sales@iec.ch](mailto:sales@iec.ch).

[IEC 60095-4:2021](#)

---

<https://standards.iteh.ai/catalog/standards/sis/735c19a2-dcd4-489b-82a1-0b7d1fc88b05/iec-60095-4-2021>

# INTERNATIONAL STANDARD



---

**Lead-acid starter batteries –**  
**Part 4: Dimensions of batteries for heavy vehicles**

**STANDARD PREVIEW**  
**(standards.iteh.ai)**

[IEC 60095-4:2021](https://standards.iteh.ai/catalog/standards/sist/735c19a2-dcd4-489b-82a1-0b7d1fc88b05/iec-60095-4-2021)

<https://standards.iteh.ai/catalog/standards/sist/735c19a2-dcd4-489b-82a1-0b7d1fc88b05/iec-60095-4-2021>

INTERNATIONAL  
ELECTROTECHNICAL  
COMMISSION

---

ICS 29.220.20; 43.040.10

ISBN 978-2-8322-1001-0

**Warning! Make sure that you obtained this publication from an authorized distributor.**

## CONTENTS

FOREWORD.....	4
1 Scope.....	6
2 Normative references .....	6
3 Terms and definitions .....	6
4 Common features .....	7
4.1 Labelling .....	7
4.2 Marking of polarity.....	7
4.2.1 General .....	7
4.2.2 Marking of positive terminals .....	7
4.2.3 Marking of negative terminals.....	7
4.2.4 Design and dimensions of marking .....	7
4.3 Marking of plastic material.....	7
4.4 Dimensions and design .....	8
4.5 Dimensions of terminals .....	8
4.6 Recommendation for new development.....	9
5 European types .....	9
5.1 General.....	9
5.2 Fastening.....	9
5.3 Dimensions.....	9
6 North American types .....	11
6.1 General.....	11
6.1.1 Overview.....	11
6.1.2 Fastening.....	11
6.1.3 Terminal configuration, polarity .....	11
6.1.4 Terminal dimensions .....	11
6.2 Dimensions .....	12
7 East Asian types.....	15
7.1 General.....	15
7.1.1 Overview .....	15
7.1.2 Fastening.....	15
7.1.3 Terminal configuration, polarity .....	15
7.1.4 Terminal dimensions .....	15
7.2 Dimensions .....	15
Bibliography .....	17
Figure 1 – Marking of polarity.....	7
Figure 2 – Marking of polypropylene-polyethylene copolymer battery components.....	8
Figure 3 – Dimensions of positive (on the right) and negative (on the left) terminal.....	9
Figure 4 – EU series – Type D2 .....	10
Figure 5 – EU series – Types A, B, C .....	11
Figure 6 – AM series – Type 4D .....	12
Figure 7 – AM series – Type 8D .....	13
Figure 8 – AM series – Type 31T.....	13
Figure 9 – Dimensions of stud terminal.....	14

Figure 10 – AM series – Type 31A .....	14
Figure 11 – AS series – Type E 41 .....	16
Figure 12 – AS series – Types F51, G51 and H52 .....	16
Table 1 – EU series – Dimensions of batteries.....	10
Table 2 – AM series – Dimensions of batteries .....	12
Table 3 – AS series – Dimensions of batteries.....	15

**iTeh STANDARD PREVIEW**  
**(standards.iteh.ai)**

[IEC 60095-4:2021](https://standards.iteh.ai/catalog/standards/sist/735c19a2-dcd4-489b-82a1-0b7d1fc88b05/iec-60095-4-2021)

<https://standards.iteh.ai/catalog/standards/sist/735c19a2-dcd4-489b-82a1-0b7d1fc88b05/iec-60095-4-2021>

## INTERNATIONAL ELECTROTECHNICAL COMMISSION

---

**LEAD-ACID STARTER BATTERIES –****Part 4: Dimensions of batteries for heavy vehicles**

## FOREWORD

- 1) The International Electrotechnical Commission (IEC) is a worldwide organization for standardization comprising all national electrotechnical committees (IEC National Committees). The object of IEC is to promote international co-operation on all questions concerning standardization in the electrical and electronic fields. To this end and in addition to other activities, IEC publishes International Standards, Technical Specifications, Technical Reports, Publicly Available Specifications (PAS) and Guides (hereafter referred to as "IEC Publication(s)"). Their preparation is entrusted to technical committees; any IEC National Committee interested in the subject dealt with may participate in this preparatory work. International, governmental and non-governmental organizations liaising with the IEC also participate in this preparation. IEC collaborates closely with the International Organization for Standardization (ISO) in accordance with conditions determined by agreement between the two organizations.
- 2) The formal decisions or agreements of IEC on technical matters express, as nearly as possible, an international consensus of opinion on the relevant subjects since each technical committee has representation from all interested IEC National Committees.
- 3) IEC Publications have the form of recommendations for international use and are accepted by IEC National Committees in that sense. While all reasonable efforts are made to ensure that the technical content of IEC Publications is accurate, IEC cannot be held responsible for the way in which they are used or for any misinterpretation by any end user.
- 4) In order to promote international uniformity, IEC National Committees undertake to apply IEC Publications transparently to the maximum extent possible in their national and regional publications. Any divergence between any IEC Publication and the corresponding national or regional publication shall be clearly indicated in the latter.  
<https://standards.iteh.ai/catalog/standards/sist/735c19a2-dcd4-489b-82a1-2e4116800000/iec-60095-4-2021>
- 5) IEC itself does not provide any attestation of conformity. Independent certification bodies provide conformity assessment services and, in some areas, access to IEC marks of conformity. IEC is not responsible for any services carried out by independent certification bodies.
- 6) All users should ensure that they have the latest edition of this publication.
- 7) No liability shall attach to IEC or its directors, employees, servants or agents including individual experts and members of its technical committees and IEC National Committees for any personal injury, property damage or other damage of any nature whatsoever, whether direct or indirect, or for costs (including legal fees) and expenses arising out of the publication, use of, or reliance upon, this IEC Publication or any other IEC Publications.
- 8) Attention is drawn to the Normative references cited in this publication. Use of the referenced publications is indispensable for the correct application of this publication.
- 9) Attention is drawn to the possibility that some of the elements of this IEC Publication may be the subject of patent rights. IEC shall not be held responsible for identifying any or all such patent rights.

International Standard IEC 60095-4 has been prepared by IEC technical committee 21: Secondary cells and batteries.

This third edition cancels and replaces the second edition published in 2008. This edition constitutes a technical revision.

This edition includes the following significant technical changes with respect to the previous edition:

- a) values of "tolerance", in particular for European batteries;
- b) update of figures for USA and Asian batteries.

The text of this International Standard is based on the following documents:

FDIS	Report on voting
21/1087/FDIS	21/1091/RVD

Full information on the voting for its approval can be found in the report on voting indicated in the above table.

The language used for the development of this International Standard is English.

This document was drafted in accordance with ISO/IEC Directives, Part 2, and developed in accordance with ISO/IEC Directives, Part 1 and ISO/IEC Directives, IEC Supplement, available at [www.iec.ch/members\\_experts/refdocs](http://www.iec.ch/members_experts/refdocs). The main document types developed by IEC are described in greater detail at [www.iec.ch/standardsdev/publications](http://www.iec.ch/standardsdev/publications).

A list of all parts in the IEC 60095 series, published under the general title *Lead-acid starter batteries*, can be found on the IEC website.

The committee has decided that the contents of this document will remain unchanged until the stability date indicated on the IEC website under [webstore.iec.ch](http://webstore.iec.ch) in the data related to the specific document. At this date, the document will be

- reconfirmed,
- withdrawn,
- replaced by a revised edition, or
- amended.

**iTeh STANDARD PREVIEW**  
(standards.iteh.ai)

[IEC 60095-4:2021](https://standards.iteh.ai/catalog/standards/sist/735c19a2-dcd4-489b-82a1-0b7d1fc88b05/iec-60095-4-2021)

<https://standards.iteh.ai/catalog/standards/sist/735c19a2-dcd4-489b-82a1-0b7d1fc88b05/iec-60095-4-2021>

**IMPORTANT – The 'colour inside' logo on the cover page of this publication indicates that it contains colours which are considered to be useful for the correct understanding of its contents. Users should therefore print this document using a colour printer.**

## LEAD-ACID STARTER BATTERIES –

### Part 4: Dimensions of batteries for heavy vehicles

#### 1 Scope

This part of IEC 60095 is applicable to lead-acid batteries used for starting, lighting and ignition of heavy trucks, commercial vehicles, busses and agricultural trucks.

The object of this document is to specify global requirements of the main dimensions of starter batteries for Europe, North America and East Asia.

This document comprises 12 types of "preferred types" of batteries.

This document specifies dimensions of 4 types of batteries each for Europe (types A, B, C and D2), North America (types 4D, 8D, 31T, 31A) and East Asia (types E41, F51, G51, H52).

#### 2 Normative references

The following documents are referred to in the text in such a way that some or all of their content constitutes requirements of this document. For dated references, only the edition cited applies. For undated references, the latest edition of the referenced document (including any amendments) applies.

[IEC 60095-4:2021](#)

IEC 60050-482, *International Electrotechnical Vocabulary – Part 482: Primary and secondary cells and batteries*

IEC 60095-1, *Lead-acid starter batteries – Part 1: General requirements and methods of test*

IEC 60417:2002, *Graphical symbols for use on equipment*

ISO/IEC 10646, *Information technology – Universal coded character set (UCS)*

ISO 1043-1, *Plastics – Symbols and abbreviated terms – Part 1: Basic polymers and their special characteristics*

ISO 11469, *Plastics – Generic identification and marking of plastics products*

#### 3 Terms and definitions

For the purposes of this document, the terms and definitions given in IEC 60050-482 apply.

ISO and IEC maintain terminological databases for use in standardization at the following addresses:

- IEC Electropedia: available at <http://www.electropedia.org/>
- ISO Online browsing platform: available at <http://www.iso.org/obp>



## 4 Common features

### 4.1 Labelling

The batteries shall be marked in accordance with IEC 60095-1.

### 4.2 Marking of polarity

#### 4.2.1 General

The batteries shall carry the marking of polarity, at least of the positive terminal.

#### 4.2.2 Marking of positive terminals

This marking shall take the form of the symbol '+' either on the upper surface of the positive terminal or on the lid adjacent to the positive terminal.

#### 4.2.3 Marking of negative terminals

If the negative polarity is also marked, the marking shall take the form of the symbol '–', either on the upper surface of the negative terminal or on the lid adjacent to the negative terminal.

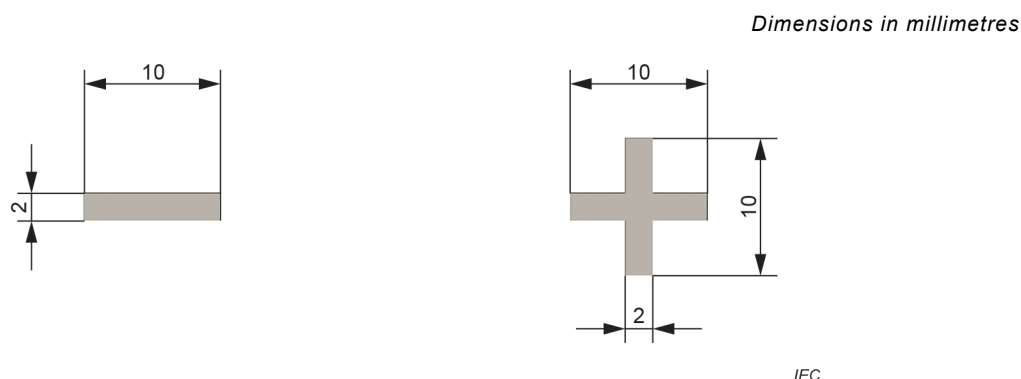
As an alternative, the wording "POS" and "NEG" is permitted for the North American market only.

#### 4.2.4 Design and dimensions of marking

The symbols used for marking the terminals shall be in accordance with IEC 60417-5005:2012-10 for the positive polarity and IEC 60417-5006:2012-10 for the negative polarity.

The dimensions of the marking shall be according to Figure 1.

The polarity symbols may be either indented or embossed by  $0,4 \text{ mm} \pm 0,1 \text{ mm}$ .



**Figure 1 – Marking of polarity**

### 4.3 Marking of plastic material

Injection moulded battery components need to be marked according to ISO 11469 and ISO 1043-1. The marking shall be placed on the bottom of the battery container or on one short side near the ledge.

According to ISO 11469 and ISO 1043-1 the minimum marking for polypropylene-polyethylene copolymer is >PP< or >PP/PE<.

In addition, it is possible to show the recycling symbol with number 7 (Unicode character 'RECYCLING SYMBOL FOR TYPE-7 PLASTICS' (U+2679) according to ISO/IEC 10646) and the term "Other".

The recommended thickness is  $(0,3 \pm 0,1)$  mm. The height of the marking characters shall be between 5 mm and 7 mm.

An example for this marking is shown in Figure 2.



**Figure 2 – Marking of polypropylene-polyethylene copolymer battery components**

Producers are encouraged to consult the regulations of the target market.

It is permissible to use the number coding 7 or 07 for PP/PE and the addition of "other" to cover additives to the plastic material.

#### 4.4 Dimensions and design

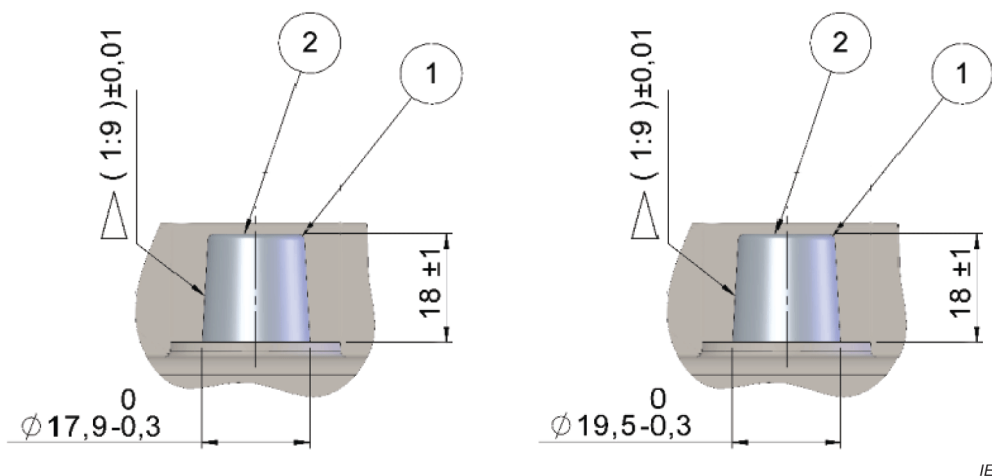
[IEC 60095-4:2021](https://standards.iteh.ai/catalog/standards/sist/735c19a2-dcd4-489b-82a1-0b7d1e88b05/iec-60095-4-2021)

All dimensions are in millimetres and sometime also in inches when mentioned in brackets. Details of the design that are not indicated in the generic drawings have to be chosen appropriately. The illustrations in this document, especially those of the design of the lids, handles, ribs, ledges, vent caps and their locations are not mandatory.

#### 4.5 Dimensions of terminals

The dimensions of the tapered positive and negative terminal shall be according to Figure 3.

Dimensions in millimetres

**Key**

- 1 Edge with radius
- 2 Convex or concave surface design permitted within height dimensions of  $(18 \begin{smallmatrix} +1 \\ -2 \end{smallmatrix})$  mm related to the centre of the terminal

**Figure 3 – Dimensions of positive (on the right) and negative (on the left) terminal**

#### 4.6 Recommendation for new development

For future new developments of heavy vehicles, it is strongly recommended to use only batteries from this document.

<https://standards.iteh.ai/catalog/standards/sist/735c19a2-dcd4-489b-82a1-0b7d1fc88b05/iec-60095-4-2021>

## 5 European types

### 5.1 General

This applies to the series of lead-acid starter batteries for heavy trucks, widely and predominantly used in Europe. In the following, the series is designated as "EU". The EU series comprises four types.

### 5.2 Fastening

All types are intended for fastening by the upper part of the battery only.

This fastening shall be realized at a level defined by the dimension " $h_1$ " in the figures. The configuration shall permit the fitting of an angle-iron frame, both legs of which are 20 mm wide, for the major part of the lid's four sides.

### 5.3 Dimensions

The main dimensions are represented by symbols, as indicated in Figure 4 and Figure 5. The dimensions according to the symbols shall be in accordance with Table 1.