



Designation: **D217–17 D217 – 19**



Designation: **50/88**

## Standard Test Methods for Cone Penetration of Lubricating Grease<sup>1</sup>

This standard is issued under the fixed designation D217; the number immediately following the designation indicates the year of original adoption or, in the case of revision, the year of last revision. A number in parentheses indicates the year of last reapproval. A superscript epsilon ( $\epsilon$ ) indicates an editorial change since the last revision or reapproval.

*This standard has been approved for use by agencies of the U.S. Department of Defense.*

### 1. Scope\*

1.1 These test methods cover four procedures for measuring the consistency of lubricating greases by the penetration of a cone of specified dimensions, mass, and finish. The penetration is measured in tenths of a millimetre.

NOTE 1—The National Lubricating Grease Institute (NLGI)<sup>2</sup> classified greases according to their consistency as measured by the worked penetration. The classification system is as follows:

NLGI Consistency Number	Worked Penetration Range, 25 °C (77 °F)
000	445 to 475
00	400 to 430
0	355 to 385
1	310 to 340
2	265 to 295
3	220 to 250
4	175 to 205
5	130 to 160
6	85 to 115

1.1.1 The procedures for unworked, worked, and prolonged worked penetration are applicable to greases having penetrations between 85 and 475, that is, to greases with consistency numbers between NLGI 6 and NLGI 000. An undisturbed penetration test, described in **Appendix X1**, is similar to the unworked penetration test.

1.1.2 The block penetration procedure is applicable to greases that are sufficiently hard to hold their shape. Such greases usually have penetrations below eighty-five tenths of a millimetre.

1.1.3 Unworked penetrations do not generally represent the consistency of greases in use as effectively as do worked penetrations. The latter are usually preferred for inspecting lubricating greases.

1.2 None of the four procedures is considered suitable for the measurement of the consistency of petrolatums by penetration. Test Method **D937** should be used for such products.

1.3 The dimensions of the equipment described in these test methods are given in SI units as the primary unit of measure with equivalent imperial units as acceptable alternatives where applicable. In cases where equivalent SI conversions are not known, notes are added for clarification. Temperatures and other dimensions are given in the preferred SI units; the values shown in parentheses are provided for information.

1.4 *This standard does not purport to address all of the safety concerns, if any, associated with its use. It is the responsibility of the user of this standard to establish appropriate safety, health, and environmental practices and determine the applicability of regulatory limitations prior to use.*

1.5 *This international standard was developed in accordance with internationally recognized principles on standardization established in the Decision on Principles for the Development of International Standards, Guides and Recommendations issued by the World Trade Organization Technical Barriers to Trade (TBT) Committee.*

<sup>1</sup> These test methods are the jurisdiction of ASTM Committee **D02** on Petroleum Products, Liquid Fuels, and Lubricants and are the direct responsibility of Subcommittee **D02.G0.02** on Consistency and Related Rheological Tests. In the IP, these test methods are under the jurisdiction of the Standardization Committee. These test methods were adopted as a joint ASTM-IP standard in 1969.

Current edition approved ~~May 1, 2017~~ May 1, 2019. Published ~~June 2017~~ July 2019. Originally approved in 1925. Last previous edition approved in ~~2016~~ 2017 as D217 – 16:17. DOI: ~~10.1520/D0217-17.10.1520/D0217-19.~~

<sup>2</sup> National Lubricating Grease Institute, 4635 Wyandotte St., Kansas City, MO 64112-1596.

\*A Summary of Changes section appears at the end of this standard

## 2. Referenced Documents

2.1 *ASTM Standards:*<sup>3</sup>

[D937 Test Method for Cone Penetration of Petrolatum](#)

[D1403 Test Methods for Cone Penetration of Lubricating Grease Using One-Quarter and One-Half Scale Cone Equipment](#)

[D4175 Terminology Relating to Petroleum Products, Liquid Fuels, and Lubricants](#)

## 3. Terminology

3.1 *Definitions:*

3.1.1 *consistency, n*—of lubricating grease, the degree of resistance to movement under stress.

<sup>3</sup> For referenced ASTM standards, visit the ASTM website, [www.astm.org](http://www.astm.org), or contact ASTM Customer Service at [service@astm.org](mailto:service@astm.org). For *Annual Book of ASTM Standards* volume information, refer to the standard's Document Summary page on the ASTM website.

3.1.1.1 *Discussion*—

The term consistency is used somewhat synonymously with penetration. Generally, consistency refers to the worked penetration of a grease.

3.1.2 *lubricant, n*—any material interposed between two surfaces that reduces the friction or wear between them. [D4175](#)

3.1.3 *lubricating grease, n*—a semi-fluid to solid product of a dispersion of a thickener in a liquid lubricant.

3.1.3.1 *Discussion*—

The dispersion of the thickener forms a two-phase system and immobilizes the liquid lubricant by surface tension and other physical forces. Other ingredients are commonly included to impart special properties.

3.1.4 *penetration, n—of lubricating grease*, the depth that the standard cone enters the sample when released to fall under its own weight for 5 s.

3.1.5 *penetrometer, n*—an instrument that measures the consistency or hardness of semiliquid to semisolid materials by measuring the depth to which a specified cone or needle under a given force falls into the material.

3.1.4.1 *Discussion*—

In this test method, either a standard penetrometer [6.2](#) or an optional penetrometer cone [A1.3](#) can be used to determine the consistency of lubricating greases. The penetration force is determined by the mass of the cone and the shaft.

3.1.6 *prolonged worked penetration, n—of lubricating grease*, the penetration of a sample after it has been worked more than 60 double strokes in a standard grease worker at a temperature of 15 °C to 30 °C (59 °F to 86 °F).

3.1.6.1 *Discussion*—

After the prescribed number of double strokes, the worker and contents are brought to 25 °C (77 °F), worked an additional 60 double strokes, and penetrated without delay.

3.1.7 *thickener, n—in lubricating grease*, a substance composed of finely divided particles dispersed in a liquid lubricant to form the product's structure.

3.1.7.1 *Discussion*—

The thickener can be fibers (such as various metallic soaps) or plates or spheres (such as certain non-soap thickeners) which are insoluble or, at most, only very slightly soluble in the liquid lubricant. The general requirements are that the solid particles be extremely small, uniformly dispersed, and capable of forming a relatively stable, gel-like structure with the liquid lubricant.

3.1.8 *unworked penetration, n—of lubricating grease*, the penetration at 25 °C (77 °F) of a sample that has received only minimum disturbance in transferring to a grease worker cup or dimensionally equivalent rigid container.

3.1.9 *worked penetration, n—of lubricating grease*, the penetration at 25 °C (77 °F), without delay, of a sample after 60 double strokes in a standard grease worker.

3.1.10 *working, n—of lubricating grease*, the subsection of a sample to the shearing action of the standard grease worker.

3.2 *Definitions of Terms Specific to This Standard:*

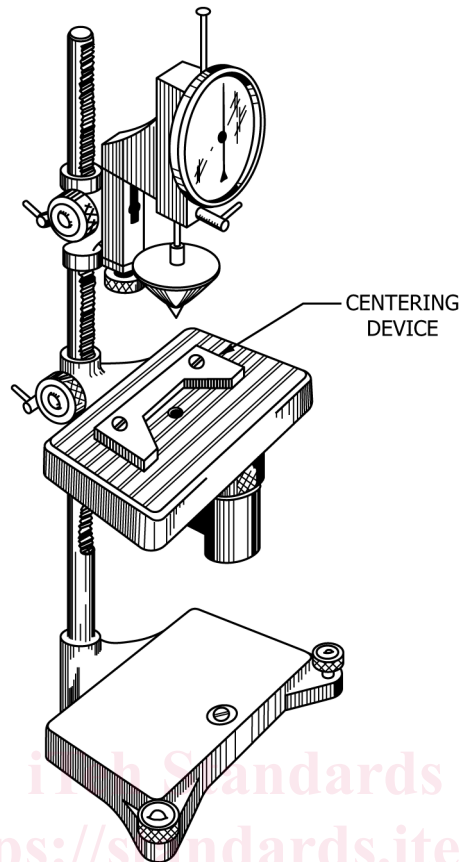


FIG. 1 Penetrometer

3.2.1 *block penetration, n*—of lubricating grease, the penetration at 25 °C (77 °F) determined on the freshly prepared face of a cube cut from a sample that is sufficiently hard to hold its shape.

3.2.2 *penetration, n*—of lubricating grease, the depth that the standard cone (see A1.1), enters the sample when released to fall under its own weight for 5 s.

3.2.2 *penetrometer, n*—an instrument (see Fig. 1) designed to measure the depth to which the standard cone falls into the grease.

3.2.2.1 *Discussion*—

In this test method, either a standard penetrometer (6.2) or an optional penetrometer cone (A1.3) can be used to determine the consistency of lubricating greases. The penetration force is determined by the mass of the cone and the shaft.

3.2.4 *prolonged worked penetration, n*—of lubricating grease, the penetration of a sample after it has been worked more than 60 double strokes in a standard grease worker at a temperature of 15 °C to 30 °C (59 °F to 86 °F).

3.2.4.1 *Discussion*—

~~After the prescribed number of double strokes, the worker and contents are brought to 25 °C (77 °F), worked an additional 60 double strokes, and penetrated without delay.~~

3.2.5 *unworked penetration, n*—of lubricating grease, the penetration at 25 °C (77 °F) of a sample that has received only minimum disturbance in transferring to a grease worker cup or dimensionally equivalent rigid container.

3.2.6 *worked penetration, n*—of lubricating grease, the penetration at 25 °C (77 °F), without delay, of a sample after 60 double strokes in a standard grease worker.

3.2.7 *working, n*—of lubricating grease, the subjection of a sample to the shearing action of the standard grease worker.

4. Summary of Test Method

4.1 For unworked penetration, the sample is brought to 25 °C ± 0.5 °C (77 °F ± 1 °F) using a temperature bath. The sample is then transferred with as little manipulation as possible into a worker cup (or other suitable container), if not placed there before

the temperature stabilization step. The cone assembly of the penetrometer is released and allowed to drop freely into the grease for  $5\text{ s} \pm 0.1\text{ s}$ . Three determinations are made and averaged to give the reported result.

4.2 For worked penetration, the sample is brought to  $25\text{ °C} \pm 0.5\text{ °C}$  ( $77\text{ °F} \pm 1\text{ °F}$ ) and placed in the worker cup. The sample is subjected to 60 double strokes in the grease worker. The penetration is determined immediately by releasing the cone assembly from the penetrometer and allowing the cone to drop freely into the grease for  $5\text{ s} \pm 0.1\text{ s}$ . Three determinations are made and averaged to give the reported result.

4.3 For prolonged worked penetration, the sample is placed in the worker cup and subjected to a predetermined number of double strokes in the grease worker. Following completion of the prolonged working, the grease and worker assembly are brought to  $25\text{ °C} \pm 0.5\text{ °C}$  ( $77\text{ °F} \pm 1\text{ °F}$ ) and the grease is worked an additional 60 double strokes in the grease worker. The penetration is determined immediately by releasing the cone assembly from the penetrometer and allowing the cone to drop freely into the grease for  $5 \pm 0.1\text{ s}$ . Three determinations are made and averaged to give the reported result.

4.4 For block penetration, a cube of the grease is prepared by slicing off a thin layer using the grease cutter. The cube of grease is brought to  $25\text{ °C} \pm 0.5\text{ °C}$  ( $77\text{ °F} \pm 1\text{ °F}$ ) and placed on the penetrometer table with the prepared face upward. The penetration is determined by releasing the cone assembly from the penetrometer and allowing the cone to drop freely into the grease for  $5\text{ s} \pm 0.1\text{ s}$ . Three determinations are made and averaged to give the reported result.

## 5. Significance and Use

5.1 These cone penetration tests not only evaluate the consistency of lubricating greases over the full range of NLGI numbers from 000 to 6, but also evaluate the consistency of stiff greases having penetration numbers less than 85. In contrast, Test Method **D937** is aimed at petrolatums and Test Method **D1403** uses less precise one-quarter<sup>1/4</sup> and 1/2 one-half scale–scale equipment intended for use when the sample quantity is limited.

5.2 Cone penetration test results provide one measure of the consistency of a grease. Worked penetration results are required to determine to which NLGI consistency grade a grease belongs. Undisturbed penetration results provide a means of evaluating the effect of storage conditions on grease consistency.

5.3 Although no correlation has been developed between cone penetration results and field service, the cone penetrations obtained by the four procedures are widely used for specification purposes, such as in users' material specifications and suppliers' manufacturing specifications.

## 6. Apparatus

6.1 *Penetrometer*, in accordance with **A1.1**. The instrument shall be capable of indicating depth in tenths of a millimetre. A sketch of a generic penetrometer is shown in **Fig. 1**.

6.2 *Standard Penetrometer Cone*, in accordance with **A1.2**, is suitable for all penetrations. An optional penetrometer cone, in accordance with **A1.3**, is suitable only for penetrations less than 400. The optional cone should not be used to measure the penetration of 00 and 000 grade greases.

6.3 *Grease Worker*, comprising a grease cup, cover, and plunger assembly, in accordance with **A1.4**, constructed for either manual or mechanical operation.

6.3.1 *Grease Worker Drive, Manual*, in accordance with **A1.5**, which allows for working the grease at a rate of  $60 \pm 10$  double strokes per minute.

6.3.2 *Grease Worker Drive, Motorized*, in accordance with **A1.6**, which allows for working the grease at a rate of  $60 \pm 10$  double strokes per minute. This apparatus is essential for the working step of the prolonged worked penetration procedure.

6.4 *Grease Cutter*, in accordance with **A1.7**, is used for preparation of samples for block penetration.

6.5 *Temperature Bath*, capable of controlling the bath temperature at  $25\text{ °C} \pm 0.5\text{ °C}$  ( $77\text{ °F} \pm 1\text{ °F}$ ) and designed to bring the assembled grease worker to test temperature conveniently. Examples of suitable temperature baths include a water bath, air bath, constant temperature test room, or a temperature-controlled metal block. If a water bath is to be used for samples for unworked penetration, means should be provided for protecting the grease surface from water and for maintaining the air above the sample at test temperature. An air bath is preferred for bringing block greases to test temperature, but a tightly sealed container placed in a water bath will suffice.

6.6 *Spatula*, corrosion-resistant, having a stiff blade nominally 32 mm (1.25 in.) wide and at least 150 mm (6 in.) long.

6.7 *Temperature-Measuring Device*, with a sheath length of approximately 200 mm (8 in.) and a sheath diameter of approximately 3.7 mm (0.145 in.) (small enough to fit through the vent cock). The temperature range of the device should be wide enough to allow it to be immersed in grease at approximately  $38\text{ °C}$  ( $100\text{ °F}$ ) without damage. The scale should have small enough divisions (or digital resolution) to allow the user to read  $\pm 0.5\text{ °C}$  ( $\pm 1\text{ °F}$ ). A spacer can be applied to the upper portion of the sheath to hold the tip just above the perforated plate of the grease worker and in the bulk of the sample (see **A1.3**).



**FIG. 2 Preparing Sample for Penetration Measurement**

6.8 *Overflow Ring (optional)*, in accordance with **A1.8**, is a useful device for catching grease scraped from the sample surface as well as any grease forced by the penetrometer cone to overflow from the cup. This grease can be returned to the worker cup for subsequent testing.

## 7. Reagents and Materials

7.1 *Appropriate Volatile Gum-free Solvent*, for example, light petroleum naphtha.

7.2 *Cloth or Paper Wiper*, for wiping grease from the penetrometer cone. The wiper should be soft, so as not to scratch the cone.

## 8. Sampling

8.1 *Sample Size*—Sufficient sample (at least 0.45 kg (1.1 lb)) to overfill the cup of the standard grease worker is required. If the sample size is insufficient and penetration ranges from NLGI 0 to 4, use Test Method **D1403**.

8.1.1 For block penetration, obtain a sufficient size sample of the grease, which must be hard enough to hold its shape, to permit cutting from it a 50 mm (2 in.) cube as a test specimen.

8.2 *Sample Preparation*—Samples are prepared for the various cone penetration test methods as follows:

8.2.1 *Unworked Penetration*—Prior to performing the test, the grease sample (if necessary, in a suitable container or in the worker cup) and the test equipment (worker cup and cone) must all be at a standard temperature of  $25\text{ }^{\circ}\text{C} \pm 0.5\text{ }^{\circ}\text{C}$  ( $77\text{ }^{\circ}\text{F} \pm 1\text{ }^{\circ}\text{F}$ ). This can be achieved by the use of a temperature bath (6.5) or a combination of different temperature baths. It is important to allow sufficient time for the grease and test equipment to reach  $25\text{ }^{\circ}\text{C} \pm 0.5\text{ }^{\circ}\text{C}$  ( $77\text{ }^{\circ}\text{F} \pm 1\text{ }^{\circ}\text{F}$ ). Additional time will be required to achieve a consistent temperature of  $25\text{ }^{\circ}\text{C} \pm 0.5\text{ }^{\circ}\text{C}$  ( $77\text{ }^{\circ}\text{F} \pm 1\text{ }^{\circ}\text{F}$ ) if the sample is larger than 0.45 kg (1.1 lb), or if the initial sample temperature differs from  $25\text{ }^{\circ}\text{C}$  by more than about  $8\text{ }^{\circ}\text{C}$  ( $15\text{ }^{\circ}\text{F}$ ). If the grease sample and equipment are already at the correct temperature before the sample is placed into the worker cup, there is no need to further stabilize the sample once it has been placed in the cup. Testing may proceed if the specimen is at a uniform temperature of  $25\text{ }^{\circ}\text{C} \pm 0.5\text{ }^{\circ}\text{C}$ . Transfer the specimen, preferably in one lump, to overfill the cup of the grease worker or other container. Make this transfer in such a manner that the grease will be worked as little as possible.

8.2.1.1 *Preparing Sample for Measurement*—Jar the cup to drive out trapped air and pack the grease with the spatula, with as little manipulation as possible, to obtain a cupful without air pockets. Scrape off the excess grease extending over the rim, creating a flat surface, by moving the blade of the spatula, held inclined toward the direction of motion at an angle of approximately  $45^{\circ}$ , across the rim of the cup (Fig. 2). This excess grease will be retained to repair the surface for the second and third determinations. Do not perform any further leveling or smoothing of the surface throughout the determination of unworked penetration and determine the measurement immediately.

8.2.1.2 The penetrations of soft greases are dependent upon the diameter of the container. Therefore, greases having unworked penetrations greater than 265 should be tested in containers having the same diameter limitations as those of the worker cup. The results on greases having penetrations less than 265 are not significantly affected if the diameter of the container exceeds that of the worker cup.

8.2.2 *Worked Penetration*—Prior to performing the test, the grease sample (if necessary, in a suitable container or in the worker cup) and the test equipment (worker cup, plunger and cone) must all be at a standard temperature of  $25\text{ }^{\circ}\text{C} \pm 0.5\text{ }^{\circ}\text{C}$  ( $77\text{ }^{\circ}\text{F} \pm 1\text{ }^{\circ}\text{F}$ ). This can be achieved by the use of a temperature bath (6.5) or a combination of different temperature baths. Additional time will be required to achieve a consistent temperature of  $25\text{ }^{\circ}\text{C} \pm 0.5\text{ }^{\circ}\text{C}$  ( $77\text{ }^{\circ}\text{F} \pm 1\text{ }^{\circ}\text{F}$ ) if the sample is larger than 0.45 kg (1.1 lb), or if the initial sample temperature differs from  $25\text{ }^{\circ}\text{C}$  by more than about  $8\text{ }^{\circ}\text{C}$  ( $15\text{ }^{\circ}\text{F}$ ). If the grease sample and equipment are already at the correct temperature before the sample is placed into the worker cup, there is no need to further stabilize the sample



once it has been placed in the cup. Transfer sufficient specimen to the cup of the clean grease worker to fill it heaping full (mound up about 13 mm (0.5 in.) at the center), avoiding the inclusion of air by packing with the spatula. Jar the cup from time to time as it is being packed to remove any air inadvertently entrapped. Assemble the worker and, with the vent cock open, depress the plunger to the bottom.

If an air bath or water bath is used to bring grease and equipment to  $25\text{ }^{\circ}\text{C} \pm 0.5\text{ }^{\circ}\text{C}$  ( $77\text{ }^{\circ}\text{F} \pm 1\text{ }^{\circ}\text{F}$ ) after assembly, then insert a thermometer through the vent cock so that its tip is in the center of the grease. Place the assembled worker in the temperature bath maintained at  $25\text{ }^{\circ}\text{C} \pm 0.5\text{ }^{\circ}\text{C}$  ( $77\text{ }^{\circ}\text{F} \pm 1\text{ }^{\circ}\text{F}$ ) (Note 2) until the temperature of the worker and its contents is  $25\text{ }^{\circ}\text{C} \pm 0.5\text{ }^{\circ}\text{C}$  as indicated by the thermometer. If the initial sample temperature differs from  $25\text{ }^{\circ}\text{C}$  by more than about  $8\text{ }^{\circ}\text{C}$  ( $15\text{ }^{\circ}\text{F}$ ), or if an alternative method of bringing the sample to  $25\text{ }^{\circ}\text{C}$  is used, allow sufficient additional time to ensure that the specimen is at  $25\text{ }^{\circ}\text{C} \pm 0.5\text{ }^{\circ}\text{C}$  before proceeding. Testing may proceed when the specimen is at a uniform temperature of  $25\text{ }^{\circ}\text{C} \pm 0.5\text{ }^{\circ}\text{C}$ . Remove the worker from the bath. If a water bath was used, wipe any excess water from the outer surfaces of the worker. Remove the thermometer and close the vent cock.

8.2.2.1 *Working*—Subject the grease to 60 full (63 mm to 71.5 mm ( $2\frac{7}{16}$  in. to  $2\frac{13}{16}$  in.)) double strokes of the plunger, completed in about 60 s, and return the plunger to its top position. Open the vent cock, remove the cover and plunger, and return to the cup as much of the grease clinging to the plunger as can readily be removed.

NOTE 2—If it is desired to immerse the worker into a water bath, above the joint between the cup and cover, take care that the joint is watertight in order to prevent the entrance of water to the worker.

8.2.2.2 *Preparing Sample for Measurement*—Jar the cup sharply on the bench or floor and pack the grease down with a spatula to fill the holes left by the plunger and to remove any air pockets (Note 3). Scrape off the excess grease extending over the rim, creating a flat surface, by moving the blade of the spatula, held inclined toward the direction of motion at an angle of approximately  $45^{\circ}$ , across the rim of the cup (Fig. 2), retaining the portion removed (Note 4).

NOTE 3—The jarring should be only as vigorous as required to remove the entrapped air without splashing the specimen from the cup. In performing these operations, a minimum of manipulation should be used, as any agitation of the grease may have the effect of increasing the working beyond the specified 60 strokes.

NOTE 4—Particularly when testing soft greases, retain the grease removed from the cup in scraping to provide a full cup for subsequent tests. Keep the outside of the rim of the cup clean so that the grease forced by the penetrometer cone to overflow the cup may be returned to the cup prior to preparing the specimen for the next test.

8.2.3 *Prolonged Worked Penetration*—Fill a clean grease worker cup and assemble the worker as described in 8.2.2.2. Subject the grease specimen to the prescribed number of double strokes (Note 5). Immediately after the working is concluded, use a temperature bath to bring the test specimen to  $25\text{ }^{\circ}\text{C} \pm 0.5\text{ }^{\circ}\text{C}$  ( $77\text{ }^{\circ}\text{F} \pm 1\text{ }^{\circ}\text{F}$ ) within 1.5 h. Remove the grease and worker from the temperature bath and subject the grease to a further 60 full (63 mm to 71.5 mm ( $2\frac{7}{16}$  in. to  $2\frac{13}{16}$  in.)) double strokes of the plunger, completed in about 60 s, and return the plunger to its top position. Open the vent cock, remove the cover and plunger, and return to the cup as much of the grease clinging to the plunger as can readily be removed.

8.2.3.1 *Preparing Sample for Measurement*—Jar the cup sharply on the bench or floor and pack the grease down with a spatula to fill the holes left by the plunger and to remove any air pockets (Note 3). Scrape off the excess grease extending over the rim, creating a flat surface, by moving the blade of the spatula, held inclined toward the direction of motion at an angle of approximately  $45^{\circ}$ , across the rim of the cup (Fig. 2), retaining the portion removed (Note 4).

NOTE 5—In order to minimize leakage during working, special attention should be paid to the seal in the worker cover.

8.2.3.2 *Temperature*—Maintain the temperature of the room used for the test within the range from  $15\text{ }^{\circ}\text{C}$  to  $30\text{ }^{\circ}\text{C}$  ( $59\text{ }^{\circ}\text{F}$  to  $86\text{ }^{\circ}\text{F}$ ). No further control of the worker temperature is necessary; but, before starting the test, the grease should have been in the room for sufficient time to bring its temperature within the range from  $15\text{ }^{\circ}\text{C}$  to  $30\text{ }^{\circ}\text{C}$ .

8.2.4 *Block Grease*—By means of the specified grease cutter, cut as a test specimen from the sample at room temperature a cube about 50 mm (2 in.) on the edge (Fig. 3(a)). While holding this specimen so that the unbeveled edge of the cutter is toward it (Fig. 3(b)), slice off a layer about 1.5 mm ( $\frac{1}{16}$  in.) in thickness from each of the three faces adjacent to a single corner, which can be truncated for identification (Fig. 3(c) and Note 6). Take care not to touch those portions of the newly exposed faces which are to be used for testing or to set a prepared face against the base plate or guide of the cutter. Bring the temperature of the prepared specimen to  $25\text{ }^{\circ}\text{C} \pm 0.5\text{ }^{\circ}\text{C}$  ( $77\text{ }^{\circ}\text{F} \pm 1\text{ }^{\circ}\text{F}$ ) by placing it in a temperature bath maintained at  $25\text{ }^{\circ}\text{C}$  ( $77\text{ }^{\circ}\text{F}$ ) for at least 1 h. If the initial sample temperature differs from  $25\text{ }^{\circ}\text{C}$  by more than about  $8\text{ }^{\circ}\text{C}$  ( $15\text{ }^{\circ}\text{F}$ ), or if an alternative method of bringing the sample to  $25\text{ }^{\circ}\text{C}$  is used, allow sufficient additional time to ensure that the specimen is at  $25\text{ }^{\circ}\text{C} \pm 0.5\text{ }^{\circ}\text{C}$  ( $77\text{ }^{\circ}\text{F} \pm 1\text{ }^{\circ}\text{F}$ ) before proceeding.

NOTE 6—The testing of three faces is intended to equalize in the final value the effect of fiber orientation in testing fibrous greases. Smooth-textured, nonfibrous greases can be tested on one face only, when agreed upon between the interested parties.

## 9. Preparation of Apparatus

9.1 *Cleaning Penetrometer Cone*—Clean the penetrometer cone carefully before each test with a soft cloth or paper wiper. The wiper can be dampened with an appropriate volatile gum-free solvent, when necessary, to remove any grease remaining on the cone. The solvent should have no effect on the cone surface. While cleaning, do not rotate the cone, as this can cause wear on the release mechanism. Bending of the cone shaft can be avoided by holding the cone securely in its raised position while cleaning.