

INTERNATIONAL ELECTROTECHNICAL COMMISSION
COMMISSION ÉLECTROTECHNIQUE INTERNATIONALE

IEC 63052
Edition 1.0 2019-08

IEC 63052
Édition 1.0 2019-08

**Power frequency overvoltage protection devices
(POPs) for household and similar applications**

**Dispositifs de protection contre les surtensions
à fréquence industrielle (POP) pour les
applications domestiques et similaires**

CORRIGENDUM 1

Corrections to the French version appear after the English text.

Les corrections à la version française sont données après le texte anglais.

iteh Standards
(<https://standards.iteh.ai>)
Document Preview

[IEC 63052:2019/COR1:2019](https://standards.iteh.ai/catalog/standards/iec/2aa6cd53-1d91-4ead-9696-d05fd366cead/iec-63052-2019-cor1-2019)

<https://standards.iteh.ai/catalog/standards/iec/2aa6cd53-1d91-4ead-9696-d05fd366cead/iec-63052-2019-cor1-2019>

Replace Figure 4 and its title with the following new figure and title:

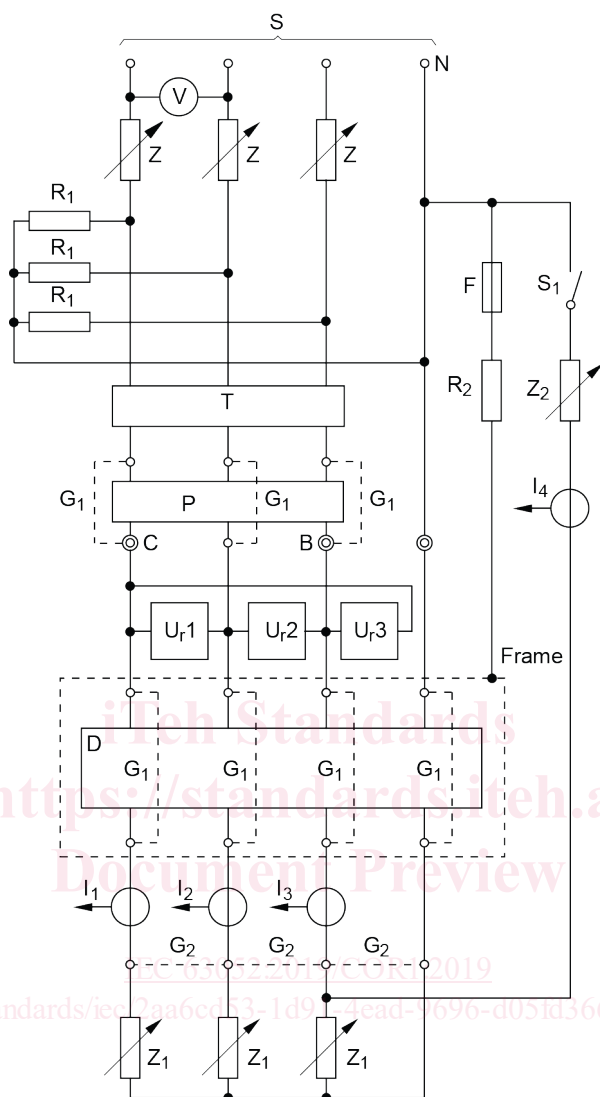


Figure 4 – Typical diagram for all short circuit tests except for the verification of the suitability in IT systems

In "Explanation of letter symbols used in Figure 4, Figure 5 and Figure 6":

- add, under the line under "Z₁", the following new line:
Z₂ = Adjustable impedance for the calibration of I_{m1} and I_{nc1}.
- on the line I₁, I₂, I₃, add "I₄".

Replace the title to Figure 5 with the following new title:

Figure 5 – Typical diagram for the verification of the suitability in IT systems

Annex A, Clause A.1

Replace the existing sentences: