



Designation: E1974 – 19

Standard Specification for Shelter, Electrical Equipment S-250/G¹

This standard is issued under the fixed designation E1974; the number immediately following the designation indicates the year of original adoption or, in the case of revision, the year of last revision. A number in parentheses indicates the year of last reapproval. A superscript epsilon (ϵ) indicates an editorial change since the last revision or reapproval.

This standard has been approved for use by agencies of the U.S. Department of Defense.

1. Scope

1.1 This specification covers one type of lightweight field and mobile rigid wall shelter designed for transport by cargo truck, fixed or rotary winged aircraft, by rail, and ship, designated as Shelter, Electrical Equipment S-250/G.

1.2 The values stated in inch-pound units are to be regarded as standard. The values given in parentheses are mathematical conversions to SI units that are provided for information only and are not considered standard.

1.3 The following safety hazards caveat refers only to the test methods portion of this specification. *This standard does not purport to address the safety concerns, if any, associated with its use. It is the responsibility of the user of the standard to establish appropriate safety, health, and environmental practices and determine the applicability of regulatory limitations prior to use.*

1.4 *This international standard was developed in accordance with internationally recognized principles on standardization established in the Decision on Principles for the Development of International Standards, Guides and Recommendations issued by the World Trade Organization Technical Barriers to Trade (TBT) Committee.*

2. Referenced Documents

2.1 ASTM Standards:²

- [E273/C273M Test Method for Shear Properties of Sandwich Core Materials](#)
- [D1621 Test Method for Compressive Properties of Rigid Cellular Plastics](#)
- [D1622/D1622M Test Method for Apparent Density of Rigid Cellular Plastics](#)
- [D2842 Test Method for Water Absorption of Rigid Cellular Plastics](#)

E631 Terminology of Building Constructions

E1370 Guide for Air Sampling Strategies for Worker and Workplace Protection

E1749 Terminology Relating to Rigid Wall Relocatable Shelters

E1773 Practice for Sealing Rigid Wall Tactical Shelters with Polysulfide Based Sealants

E1800 Specification for Adhesive for Bonding Foam Cored Sandwich Panels (160°F Elevated Humidity Service), Type I Panels

E1801 Practice for Adhesive Bonding of Aluminum Facings in Foam and Beam Type Shelters

E1851 Test Method for Electromagnetic Shielding Effectiveness of Durable Rigid Wall Relocatable Structures

E1925 Specification for Engineering and Design Criteria for Rigid Wall Relocatable Structures

2.2 Commercial Standard:³

SAE AMS-W-6858 Welding, Resistance: Spot and Seam

2.3 Federal Air Regulation (FAR):⁴

FAR 25.853 Compartment Interiors

2.4 Military Standards:⁵

MIL-F-14072 Finishes for Ground Based Electronic Equipment

MIL-DTL-55507 Shelter, Electrical Equipment (With or Without Equipment), Packaging of

MIL-STD-252 Wired Equipment, Classification of Visual and Mechanical Defects

MIL-STD-810 Environmental Engineering Considerations and Laboratory Tests

MIL-STD-2219 Fusion Welding for Aerospace Applications

MIL-STD-13231 Marking of Electronic Items

2.5 Drawings:⁶

DL-SM-B-563500 Shelter, Electrical Equipment, S-250/G

DL-SM-B-649950 Modification Kit, EMI, MK-1092/G

¹ This specification is under the jurisdiction of ASTM Committee E06 on Performance of Buildings and is the direct responsibility of Subcommittee E06.53 on Materials and Processes for Durable Rigidwall Relocatable Structures.

Current edition approved July 1, 2019. Published August 2019. Originally approved in 1998. Last previous edition approved in 2011 as E1974-11. DOI: 10.1520/E1974-19.

² For referenced ASTM standards, visit the ASTM website, www.astm.org, or contact ASTM Customer Service at service@astm.org. For *Annual Book of ASTM Standards* volume information, refer to the standard's Document Summary page on the ASTM website.

³ Available from AMS Publications, SAE International (SAE), 400 Commonwealth Dr., Warrendale, PA 15096, <http://www.sae.org>.

⁴ Available from Flight Standards Service, Federal Aviation Administration (FAA), 800 Independence Ave., SW, Washington, DC 20591, <http://www.faa.gov>.

⁵ Available from DLA Document Services, Building 4/D, 700 Robbins Ave., Philadelphia, PA 19111-5094, <http://quicksearch.dla.mil>.

⁶ Available from U.S. Army Natick Soldier Systems Center (NSSC), ATTN: AMSRD-NSC-CP-CS, General Greene Ave., Natick, MA 01760, <http://www.army.mil/natick>.

DL-SM-B-650123 Shelter, Electrical Equipment, S-250/G (Shielded)
 SM-D-208679 Outer Door Assembly
 SM-D-208682 Inner Door Assembly
 SM-C-435904 Keeper
 SM-C-435937 Nameplate
 SM-B-563559 Adhesive
 SM-B-563655 Foam, Rigid, Plastic
 SM-D-563754 Diagram, Flatness and Squareness
 SM-C-564839 Gasket, Silicone
 SC-C-595537 Padlock and Key
 SC-B-595538 Bonding Procedure
 SC-B-595539 Cleaning Procedure
 SC-B-595564 Core Material Urethane, Light
 SC-B-595565 Core Material Urethane, Heavy
 SM-D-649951 Modification Kit EMI MK-1092/G
 SM-D-649952 Sling Assembly
 SM-D-649953 Shelter, Electrical Equipment S-250/G
 SM-C-650082 Skid Assembly
 SM-D-650085 Test Weight Installation
 SM-C-650125 Nameplate
 SC-D-781228 Door Fixture Construction Tightness Test
 SC-D-781235 Drain, Fixture, Construction Tightness Test
 SC-D-781236 Test Fixture Installation Construction Tightness Test
 SC-B-964240 Nameplate, S-250 Shelter (With Rivnuts)

3. Terminology

3.1 *Definitions*—For definitions of general terms related to building construction used in this specification, refer to Terminology E631, and for general terms related to rigid wall relocatable shelters, refer to Terminology E1749.

3.1.1 *delaminations*—for purpose of this specification, a delamination is defined as the condition that exists within a shelter section or panel when two surfaces that once were bonded together are no longer bonded together. Delaminations may occur between any two bonded surfaces; examples include: separations between thermal barriers and members, between thermal barriers and skins, between members and core, or between skins and core. They may be the result of a poor quality bond or they could occur due to misuse or severe handling of the panels or the shelter after bonding. Test requirements of this specification shall not be construed as misuse or severe handling as these terms apply to the definition of delaminations.

3.1.2 *examination*—examination consists of simple, generally nondestructive determinations of compliance, without the use of special testing equipment.

3.1.3 *inspection*—inspection is the examination or testing, or both, of supplies to determine compliance with the applicable requirements. Sampling an element of inspection.

3.1.4 *testing*—testing consists of determinations of compliance using technical means.

3.1.5 *voids*—for the purpose of this specification, a void is defined as any unauthorized separation or space within a shelter panel or section, that is, any separation or space that is in conflict with the drawings or other contractual requirements.

Voids range from gaps as wide as the space created by a missing piece of core material to as thin as a break in the continuity of material. Voids may be located solely within one type of material, such as a core material separation; they may exist between adjacent materials, such as unbonded core material; or they may be located between other parts within a panel, such as where a piece of material is missing, damaged, or undersized. Voids may have been created at the time of construction such as where a part was omitted; or may be created at a later time, such as a core separation or delaminated skin.

NOTE 1—All other terminology related to this specification is defined in Terminology E1749.

4. Materials Requirements

4.1 *General*—The materials and components shall be as specified herein and on the applicable drawings. Materials and components not definitely specified shall be of the quality normally used by the manufacturer provided the completed item complies with all the provisions of this specification.

4.2 *Adhesive*—The adhesive used to laminate in accordance 5.2 shall meet the requirements of Specification E1800 and the physical properties required by Drawing SM-B-563559 when tested in accordance with 10.1.

4.3 *Sealer*—The sealer, when tested in accordance with 10.1, used to meet the requirements of 5.3, shall have the following properties:

4.3.1 *Sealer Shear, Ambient*—The sealer and its bond to the aluminum shall have a minimum average shear strength of 200 psi (1.4 MPa) when tested at 80 ± 10 °F (27 ± 6 °C).

4.3.2 *Sealer Shear, Temperature Extreme*—The sealer and its bond to the aluminum shall have a minimum average shear strength of:

4.3.2.1 200 psi (1.4 MPa) when tested at -65 ± 5 °F (-54 ± 3 °C), and

4.3.2.2 75 psi (520 kPa) when tested at $200 + 0 - 5$ °F ($93 + 0 - 3$ °C)

4.3.3 *Sealer Shear, Humidity Exposure*—The sealer and its bond to the aluminum shall withstand exposure to 95 % relative humidity ± 5 % at 160 ± 5 °F (71 ± 3 °C) for fourteen days. After exposure the sealer shall have a minimum average shear strength of 75 psi (520 kPa) when tested at 160 ± 5 °F (71 ± 3 °C).

4.3.4 *Sealer Shear, Salt Spray Exposure*—The sealer and its bond to the aluminum shall withstand exposure to the salt spray test, Method 509.4 of MIL-STD-810F using a 20 % NaCl solution at 95 ± 5 °F (35 ± 3 °C) for fourteen days. After exposure the sealer shall have a minimum average shear strength of 200 psi (1.4 MPa) when tested at 80 ± 10 °F (27 ± 6 °C).

4.4 *Core Material*—The core material shall be a slab type foamed plastic. All three densities shall be used in the shelter. Disbursement within the shelter shall be in accordance with Guide E1370 and the drawings listed on DL-SM-B-563500. Density, compressive strength, flammability, water absorption, and shear strength properties shall be in accordance with

Drawings SC-B-595564, SC-B-595565, and SM-B-563655, as applicable when tested in accordance with 10.2.

5. Construction Requirements

5.1 *General*—All parts, sub-assemblies, and the final assembly of Shelter, Electrical Equipment, S-250/G shall be constructed as specified herein and in accordance with the drawings listed on DL-SM-B-563500 or DL-SM-B-650123 when electromagnetic interference suppression is required (see 15.2). Shelters shall not be fork lifted at anytime during or after construction.

5.2 *Lamination*—During the laminating (bonding) process the mating of all panel constituents shall be bonded without delaminations, that is, discontinuation in, or separation between the constituents. Bonding shall be in accordance with Practice E1801 and SC-B-595538. Both sides of all panels prior to assembly into shelter form and all shelters shall be acoustically interrogated for delaminations using a tap hammer fabricated in accordance with Fig. 1. The shelter may be considered acceptable if it contains less than twelve distinctly individual delaminations or unbond type voids, provided none is greater than 2 in. (50 mm) across measured in any direction, and provided the shelter meets all other requirements.

5.3 *Seal*—All inner and outer skins, joints, edges, and hardware shall be sealed in a manner that will prevent collection and retention of water and provide a barrier against the entrance of water into any panel or the interior of the shelter. Unless otherwise specified on the shelter drawings, all exterior rivets, rivnuts, screws, and bolts shall be dipped in sealer prior to installation and the heads of rivets shall be covered with sealant after installation. (See Practice E1773).

5.4 *Cleaning*—All metal parts shall be cleaned at that stage of assembly indicated on the applicable drawing listed on DL-SM-B-563500 or DL-SM-B-650123, by a process in accordance with Practice E1773 and Drawing SC-B-595539 or as specified in the applicable portion of MIL-F-14072. All foam

and wood parts shall be cleaned in accordance with the applicable portions of Practice E1801 and Drawing SC-B-595538.

5.5 *Welding*—Arc and spot welding shall be applied as specified by the drawings. No grinding of welds shall be required except as specified by the drawings. The purchaser reserves the right to perform any of the inspections where such inspections are deemed necessary to ensure supplies and services conform to prescribed requirements.

5.5.1 *Arc Welding*—Inert gas shielded arc welding shall be in accordance with MIL-STD-2219.

5.5.2 *Spot Welding*—Spot welding shall be in accordance with SAE AMS-W-6858 Class B. Samples of the production items produced in accordance with the drawings shall be inspected by the supplier for appearance, external defects, sheet separation, surface identification, and weld location.

5.5.2.1 Test specimens shall be used to represent the manufacturing practice. Three single-spot shear specimens shall be used for checking purposes. Three single shear specimens shall be tested for ultimate strength and variation in shear strength.

5.5.2.2 Failure of a test specimen or samples of a welded item shall be cause for rejection of the production quantity the specimen or sample represents.

5.6 *Riveting*—No more than one rivet/rivnut in ten and no more than two adjacent rivets/rivnuts shall exhibit any of the defects specified below, when inspected as specified in 10.6.

5.6.1 *Looseness*—There shall be no evidence of looseness parallel to the plane of the mating surface due to oversized holes or looseness perpendicular to the plane of the mating surfaces due to rivets/rivnuts not being tightly seated.

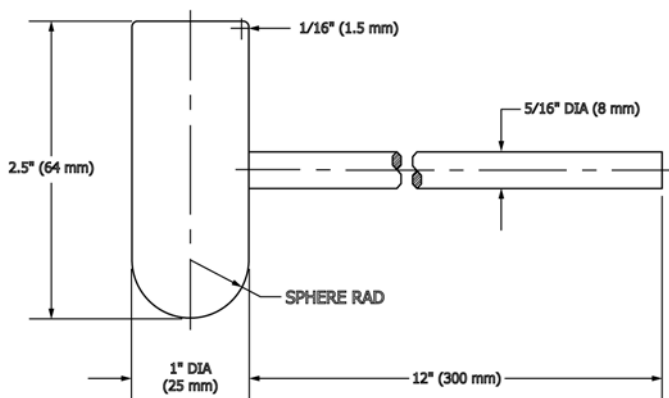
5.6.2 *Heads*—Rivet and rivnut heads shall not be cut, marred, chipped, eccentric, distorted, or otherwise mutilated. Countersunk rivets and rivnuts shall not project above or below the mating surface more than 15 % of the netting material thickness.

5.6.3 *Mating Surface and Materials*—The mating surface shall not be marred or indented due to rivet or rivnut installation, nor shall there be any distortion or warpage of the mating materials. There shall be no foreign material between riveted surfaces.

5.7 *Hardware*—All locks, latches, hinges, hinge pins, fasteners, bolts lifting and towing eyes, steps and other shelter hardware shall be made corrosion resistant in accordance with the applicable drawings listed on DL-SM-B-563500 or DL-SM-B-650123. The hardware shall be subjected to the test of 10.7 and shall show no evidence of corrosion or damage which in any way impairs the specified performance of the individual part.

5.7.1 *Padlocks and Keys*—All padlocks and keys shall be in accordance with SC-C-595537 and shall be interchangeable to the extent determined by 10.10.

5.8 *Finish Protective*—Protective finishes shall be in accordance with the applicable drawings listed on DL-SM-B-563500 or DL-SM-B-650123 and shall be free of the defects



NOTE 1—Material—Aluminum 6061-T6 or equivalent.
 NOTE 2—Tolerance—± 1/32 (1 mm).

FIG. 1 Tap Hammer

cited in the classification of visual finish defects of MIL-F-14072 when inspected as specified in 10.8 and 10.12.

5.9 *Marking*—Member centerline, punch marks, nameplates, instruction and data plates, and other markings shall be in accordance with MIL-STD-13231 and the applicable drawings listed on DL-SM-B-563500 or DL-SM-B-650123. Marking shall be inspected as specified in 10.9 and 10.12.

5.10 *Interchangeability*—Like units, subassemblies, assemblies and replaceable parts shall be physically and functionally interchangeable without modification of such items or of the shelter. Dimensions shall be within the limits specified on the applicable drawings listed on DL-SM-B-563500 or DL-SM-B-650123. Reliance shall not be placed on any unspecified dimension, rating, characteristic, etc. Individual items shall not be hand picked for fit or performance. To determine compliance with this requirement the items listed in 10.10 shall be measured and shall be in accordance with the dimensions and tolerances specified on the applicable drawings.

5.11 *Facsimiles*—When specified (see 15.2), the contractor shall provide facsimiles of the nameplate and all data and instruction plates required by DL-SM-B-563500 and DL-SM-B-650123. Each facsimile shall be in accordance with its drawing and shall include any and all information required to be inserted, except shelter serial number. Artwork shall be of a quality at least comparable to the drawings.

5.12 *Shelter Weight*—When inspected as specified in 10.12 and 10.13, the gross weight of the shelter, excluding the lift and tie-down device, (Drawing SM-D-649952) shall be as follows:

5.12.1 770 ± 20 lb (350 ± 9 kg) without Mod Kit, EMI, MK-1092/G, and

5.12.2 782 ± 20 lb (355 ± 9 kg) with Mod Kit, EMI, MK-1092/G installed.

5.12.3 *Records*—Records shall be maintained of Serial numbers and actual weight of shelters and shall indicate if EMI Kit MK-1092/G is installed.

5.13 *Service Integrity*—Unless otherwise specified, tests specified herein shall not result in any discontinuity in the bond between the aluminum, foam, or wood thermal barriers, or all of these (that is, a delamination), or in any bulking, splitting, or any other deformation or structural weakening, or both of the shelter. The seal of 5.3 shall remain intact. All dimensions shall remain in accordance with the drawings listed on DL-SM-B-563500 or DL-SM-B-650123. Brackets, lugs, flanges, inserts, bolts, and any other mounting arrangement shall securely retain test loads, doors, and hardware. Any deformation of any mounting arrangement resulting from any specified test shall be within drawing tolerances and shall not cause degradation of its retaining ability or of specified shelter performance.

6. Environmental Requirements

6.1 *General*—The shelter shall be capable of meeting the following environmental test requirements with no harmful effect to any finish or performance capability (see 5.13).

6.2 *Moisture Resistance*—The shelter shall withstand daily exposure of up to 97 % relative humidity for 20 h and exposure

at 100 % relative humidity (with condensation) for 4 h when tested as specified in 10.7.

6.3 *Temperature*—The shelter shall be capable of withstanding the following operating temperatures when tested as specified in 10.14:

6.3.1 *Operating Temperature*—Exposure to an ambient temperature in the range of –65 to 125 °F (–54 to 52 °C) plus a solar load such that the outside skin reaches a minimum temperature of 195 °F (90 °C); exposure at any one time not to exceed 75 h at the low temperature extreme and 4 h at the high temperature extreme.

6.3.2 *Non-Operating Temperature*—Exposure to an ambient temperature in the range of –80 to 160 °F (–62 to 71 °C); exposure at any one time not to exceed 24 h at the low temperature extreme and 4 h at the high temperature extreme.

6.4 *Heat Transfer*—The thermal characteristics of the shelter shall be such that the overall coefficient of heat transfer of the shelter shall not exceed 0.50 BTUs per hour per square foot per degree Fahrenheit (2.9 Watts per square metre per degree Kelvin) when tested accordance with 10.15.

7. Structural Integrity Requirements

7.1 *General*—The shelter shall be capable of complying with the requirements of 7.2 – 7.6. When a payload is required, 1900 lb (860 kg) in accordance with Drawing SM-D-650085 shall be used. The requirements of 5.13 are applicable to all tests.

7.2 *Transportability*—The shelter, with payload, shall be capable of being picked up by a crane, transported while suspended from the crane, and lowered to any predetermined point on the ground. The shelter shall also be capable of being transported as follows:

7.2.1 *Rail Transport*—The shelter, with payload, shall be capable of being transported by railroad. Compliance with 10.16 shall constitute compliance with this requirement.

7.2.2 *Lift Transport Simulated*—The shelter, with payload, shall be capable of being suspended by its lifting eyes and exposed to 3.5 g's acceleration. Compliance with 10.17 shall constitute compliance with this requirement.

7.3 *Drop*—The shelter, with payload, shall be capable of being dropped as specified in 10.18. Every shelter subjected to drop tests shall be shipped only to a depot and shall have its nameplate “S-250 Shelter” (with rivnuts) in accordance with Drawing SC-B-964240 attached with rivets over the shelter nameplate, Drawing SM-C-435937 (SM-C-650125 if shielded) prior to shipment. Shipping document annotated (FOR DEPOT USE ONLY).

7.4 *Towing Simulated*—The shelter, with payload, shall withstand a force of a least 2000 lb (900 kg) applied to each of the skid assemblies, and their attachment to the shelter, as specified in 10.19.

7.5 *Lifting and Towing Eye Assembly*—Each lifting and towing eye assembly, as attached to the shelter, shall withstand a minimum load of 5000 lb (2270 kg) applied in accordance with 10.20.

7.6 *Steps, Roof Access*—Each of the two recessed folding steps installed to provide access to the shelter roof shall withstand a load of 400 lb (180 kg) applied in accordance with 10.21.

8. Tightness Requirements

8.1 *General*—The shelter shall be capable of complying with the following:

8.2 *Torque, Door Latches*—Torques shall be measured as specified on Drawings SM-D-649951 and SM-D-649953 and shall be as specified in 10.22.

8.3 *Electromagnetic Interference (EMI) Shielding*—The shelter shall be capable of being shielded from electromagnetic interference (EMI) by the installation of Modification Kit, electromagnetic interference, MK-1092/G in accordance with DL-SM-B-649950 and with no other modification. Shielding shall provide a minimum attenuation of radiated and induced EMI fields as specified in Specification E1925 within the frequency range of 100 kHz to 10 GHz when tested in accordance with 10.23. Should a shelter subjected to the EMI test fail to pass, another shelter from the same lot shall be subjected to the EMI test.

8.4 *Construction Tightness*—The shelter shall be airtight to the extent that it shall be capable of achieving and maintaining a pressurized state without leakage when tested in accordance with 10.24.

8.5 *Watertightness*—The shelter shall be watertight when tested in accordance with 10.25. Shelter weight after testing shall be as specified in 5.12 after allowing 2 lb (1 kg) for the test weight mounting hardware of Drawing SM-D-650085, if applicable.

8.6 *Fording*—The shelter, without the use of special fording kits, shall be capable of being immersed in water to a depth of 30 in. (760 mm), as measured from the bottom of the shelter skids, with no failure of the seal specified in 5.3 or damage to the structure when tested and inspected as specified in 10.26. Shelter weight after testing shall be as specified in 5.12 after allowing 2 lb (1 kg) for the test weight mounting hardware of Drawing SM-D-650085 if applicable.

8.7 *Light Tightness*—No direct rays of light shall be visible through or around the air inlet louver assembly, as installed in the shelter and with the weather cover fully open, when tested in accordance with 10.27.

9. Other Requirements

9.1 *First Article*—When specified (see 15.2), a sample shall be subjected to first article inspection (see 15.3) in accordance with 11.1.

9.2 *Lift and Tie Down Device*—A combination lift and tie down device (sling) conforming to Drawing SM-D-649952 shall be provided as part of each shelter. Each leg of the device shall be capable of exceeding a tensile load of 9500 lb (4300 kg) as specified on the drawing and shall fail before slippage occurs at the sling sleeves when tested as specified in 10.28.

9.3 *Impact Panel*—The shelter panels shall withstand the test of 10.29. After the test, the panel shall be cross sectioned

through the impact area and examined. Impact shall not result in rupture to either skin. No delaminations between skin and core or crushing of core is allowed outside a 3 in. (75 mm) radius from the center of impact.

9.4 *Fabrication and Assembly*—Samples (see 10.1.1) shall be assembled using parts, materials (and their amounts), and processes that will be employed in production, be fabricated and assembled in accordance with the specification, and meet all requirements specified herein.

9.5 *Workmanship*—The shelter shall be manufactured with the degree of workmanship normally considered appropriate for each of the areas listed under 5.0 (see 10.12).

10. Tests Required

10.1 *Coupon Samples*—Fabricate coupon samples for both adhesive and sealer tests in accordance with the physical properties paragraph of Drawing SM-B-563559. Ten coupons are required for each of the five conditions for first article samples. Five coupons are required for each of the test conditions for production inspection.

10.1.1 *Comparability of Fabrication and Cure*—Fabricate samples and cure using materials, processes, and conditions compatible with those used on panels or shelters, or both, including:

10.1.1.1 Surface conditions of and method of preparing materials to be bonded,

10.1.1.2 Same batch and type of material,

10.1.1.3 Duration of, temperature, and pressure during cure,

10.1.1.4 Minimum cure time before handling, and

10.1.1.5 Time elapsed between application of adhesive to the first item (coupon or panel) in a lot to the application of pressure to the lot of items. Verify two or more part mixes of adhesive or sealer, or both, as being in accordance with the manufacturer's recommendations before shear tests and range on coupons. Calibrate automatic dispensing machines, when used to mix or deliver, or both, two or more part adhesive or sealer, or both, at least once every 4 h. Cure sealer coupons at ambient temperature and the lap joint shall be under a pressure of approximately 5 psi (34 kPa).

10.1.2 *Shear Strength Tests*—Test coupons after being subjected to the specified exposure, if applicable, and at the specified temperature. Stabilize the temperature of the coupons at the specified level and measure by a thermocouple attached to the coupons over the lap joint. The thermocouple shall not be attached on that side of the lap joint closest to the heat or cold source nor shall the method of attachment impair the application or measurement of the shear force in any way. Apply the shear force to destruction with the rate of application constant at less than or equal to 1 in./min (25 mm/min). Any noncompliance with 4.2 for adhesive and 4.3 for sealer shall constitute failure of this test.

10.2 *Core Material Tests*—Subject core material samples to the following tests: for each test a set of five specimens is required for each type or grade of core material used in the shelter. Fabricate specimens from actual shelter core material pieces randomly selected from production core material parts. Specimen dimensions shall be within ± 0.015 in (± 0.40 mm).

Except for flammability, compliance with 4.4 shall be determined by the average of the specimen results, with the lowest result no less than 90 % of the required value. Failure to meet the requirements of 4.4 shall constitute failure of this test.

10.2.1 *Apparent Density, Core Material*—Test five specimens, each 2 by 3 by 3 in. (50 by 75 by 75 mm) in accordance with Test Method D1622/D1622M.

10.2.2 *Compressive Strength, Core Material*—Test five specimens each 2 by 3 by 3 in. (50 by 75 by 75 mm) in accordance with Procedure A of Test Method D1621, with the load applied to the 3 by 3 in. (75 by 75 mm) faces.

10.2.3 *Flammability*—Determine flame resistance of the five specimens, each ½ by 2 by 6 in. (13 by 50 by 150 mm), in accordance with Appendix F of FAR 25.853. The average extinguish time shall not exceed 15 s and average burn distance shall not exceed 6 in. (150 mm).

10.2.4 *Water Absorption*—Test three specimens, each 6 by 6 by 3 in. (150 by 150 by 75 mm) in accordance with Test Method D2842 with the following changes: weigh each specimen as it is first submerged; the weighing jig shall also be weighed at this time; for the final weight, the specimens must be weighed and removed from the water in reverse order, the water absorption shall be calculated as follows (see Table 1):

$$\text{lb water/ft}^2 = (W_{2a} - W_{1a}) - (W_2 - W_3)/A \times 2.048 \text{ lb/ft}^2/\text{g/cm}^2(1)$$

where:

- W_{1a} = initial submerged weight of jig and samples (gm)
- W_{2a} = initial submerged weight of jig (gm),
- W_2 = final submerged weight of jig (gm),
- W_3 = final submerged weight of jig and samples (gm), and
- A = specimen surface area (cm²).

10.2.5 *Shear Strength*—Test five specimens, each ½ by 1½ by 6 in. (13 by 38 by 150 mm) in accordance with Test Method C273/C273M, except that the load shall be applied at a constant rate such that the maximum load will occur in one minute or more.

10.3 *Delamination Testing and Repair*—Individual panels and shelters shall be tested for delaminations by use of the tap hammer (see Fig. 1). Accomplish detection by tapping with the spherical end with a force equal to that produced when the head is raised approximately 1 in. (25 mm) above the panel and

allowed to fall against the panel. A hammer blow on a laminated area produces a solid or firm or ringing sound whereas a delaminated area produces a deadened or hollow or metallic slap sound. Use the flat end of the hammer for tapping into corners. The extent of interrogation of each side of each panel shall be at least four hammer impacts per square foot of panel area between members and at least four hammer impacts per square foot over members on the interior side of the panel. Once a suspect area has been located, interrogate said area in detail by at least one hammer impact per inch in all directions. The delamination boundaries shall be marked as the point of acoustic change (deadening) plus ½ in. (13 mm). Failure to meet the requirements of 5.2 shall constitute failure of this test.

10.3.1 *Disposition of Delaminated Panels*—Reject all delaminated panels found before assembly into shelter form. Limit the number of rejected panels per calendar month to 5 % of all panels fabricated during that entire calendar month. Rejected panels in excess of this amount, even though repaired, shall not be accepted without the written approval from the purchaser.

10.3.2 *Disposition of Shelters Containing Delaminated Panels*—Reject all shelters found to contain delaminated panels. Limit the number of rejected shelters per calendar month to 1.0 % of the total contract quantity with the total no more than 5 % of the total contract quantity. A shelter shall not contain more than two repaired panels regardless of when it was repaired, that is, before or after use in the shelter. Shelters not complying with these limitations shall only be accepted by written approval of the purchaser. Maintain a record of the shelters containing a repaired panel, including which panel, location, and extent, and report as required elsewhere in the contract.

10.3.3 *Condition of Shelter Exterior Skins*—The exterior skin of the shelter panels may contain dents between structural members provided the skin is not punctured and provided the maximum depth of the dent does not exceed 1/16 in. (1.5 mm) and no more than one shelter in ten contains one dent not exceeding 1/8 in. (3 mm) in depth.

10.3.4 *Delamination Repair:*

10.3.4.1 Document repair procedures for delaminations. The contractor may utilize a procedure only after receiving approval from the purchaser designated in the contract. The contractor should be aware and fully understand, however that should the purchaser later determine that the procedure is objectionable or inadequate, or its implementation does not fulfill its intended purpose, the purchaser may require that its use be discontinued and another consultation be held to resolve the inadequacy.

10.3.4.2 The maximum area of any single delamination and the maximum number of single delaminations per panel allowed is stated in 5.2. Multiple delaminations on a panel shall be separated by a structural member in order for that panel to be considered eligible for repair. A delamination on the interior side of a panel and another delamination on the exterior side of the same panel and with both delaminations being between the same two members shall not be considered separated.

TABLE 1 First Article Specimens

Inspection	Quantity	Requirements Subsection	Test Subsection
Adhesive	50 coupons	4.2	10.1
Sealer	50 coupons	4.3	10.1
Core material:			
Density	5 for every grade or type	4.4	10.2.1
Compressive strength	5 for every grade or type	4.4	10.2.2
Flammability	5 for every grade or type	4.4	10.2.3
Water absorption	3 for every grade or type of urethane	4.4	10.2.4
Shear strength	5 for every grade or type	4.4	10.2.5
Lift and tie down device	1 complete	9.2	10.28
Impact panel	1 for every type core	9.3	10.29