

TECHNICAL REPORT

**Information technology – Generic cabling for customer premises –
Part 9910: Specifications for modular plug terminated link cabling
(standards.iteh.ai)**

[ISO/IEC TR 11801-9910:2020](https://standards.iteh.ai/catalog/standards/sist/80c41298-784f-4ef5-9eb3-b5fca29adb57/iso-iec-tr-11801-9910-2020)

[https://standards.iteh.ai/catalog/standards/sist/80c41298-784f-4ef5-9eb3-
b5fca29adb57/iso-iec-tr-11801-9910-2020](https://standards.iteh.ai/catalog/standards/sist/80c41298-784f-4ef5-9eb3-b5fca29adb57/iso-iec-tr-11801-9910-2020)



THIS PUBLICATION IS COPYRIGHT PROTECTED
Copyright © 2020 ISO/IEC, Geneva, Switzerland

All rights reserved. Unless otherwise specified, no part of this publication may be reproduced or utilized in any form or by any means, electronic or mechanical, including photocopying and microfilm, without permission in writing from either IEC or IEC's member National Committee in the country of the requester. If you have any questions about ISO/IEC copyright or have an enquiry about obtaining additional rights to this publication, please contact the address below or your local IEC member National Committee for further information.

IEC Central Office
3, rue de Varembe
CH-1211 Geneva 20
Switzerland

Tel.: +41 22 919 02 11
info@iec.ch
www.iec.ch

About the IEC

The International Electrotechnical Commission (IEC) is the leading global organization that prepares and publishes International Standards for all electrical, electronic and related technologies.

About IEC publications

The technical content of IEC publications is kept under constant review by the IEC. Please make sure that you have the latest edition, a corrigendum or an amendment might have been published.

IEC publications search - webstore.iec.ch/advsearchform

The advanced search enables to find IEC publications by a variety of criteria (reference number, text, technical committee,...). It also gives information on projects, replaced and withdrawn publications.

IEC Just Published - webstore.iec.ch/justpublished

Stay up to date on all new IEC publications. Just Published details all new publications released. Available online and once a month by email.

IEC Customer Service Centre - webstore.iec.ch/csc

If you wish to give us your feedback on this publication or need further assistance, please contact the Customer Service Centre: sales@iec.ch.

Electropedia - www.electropedia.org

The world's leading online dictionary on electrotechnology, containing more than 22 000 terminological entries in English and French, with equivalent terms in 16 additional languages. Also known as the International Electrotechnical Vocabulary (IEV) online.

IEC Glossary - std.iec.ch/glossary

67 000 electrotechnical terminology entries in English and French extracted from the Terms and Definitions clause of IEC publications issued since 2002. Some entries have been collected from earlier publications of IEC TC 37, 77, 86 and CISPR.

[ISO/IEC TR 11801-9910:2020](https://standards.iteh.ai/catalog/standards/sist/80c41298-784f-4ef5-9eb3-b5fca29adb57/iso-iec-tr-11801-9910-2020)

<https://standards.iteh.ai/catalog/standards/sist/80c41298-784f-4ef5-9eb3-b5fca29adb57/iso-iec-tr-11801-9910-2020>

iTeh STANDARDS (Standards.iteh.ai)



TECHNICAL REPORT

Information technology – Generic cabling for customer premises –
Part 9910: Specifications for modular plug terminated link cabling

<https://standards.iteh.ai/catalog/standards/sist/80c41298-784f-4ef5-9eb3-b5fca29adb57/iso-iec-tr-11801-9910-2020>

INTERNATIONAL
ELECTROTECHNICAL
COMMISSION

ICS 35.200

ISBN 978-2-8322-8492-6

Warning! Make sure that you obtained this publication from an authorized distributor.

CONTENTS

FOREWORD.....	3
INTRODUCTION.....	4
1 Scope.....	5
2 Normative references	5
3 Terms, definitions, abbreviated terms and symbols.....	5
3.1 Terms and definitions.....	5
3.2 Abbreviated terms.....	5
3.3 Symbols.....	6
4 Specifications	6
5 MPTL configuration	6
6 Performance specifications.....	7
6.1 General.....	7
6.2 Return loss	7
6.3 Insertion loss	7
6.4 NEXT.....	7
6.5 PS NEXT	7
6.6 ACR-N.....	7
6.7 PS ACR-N.....	7
6.8 ACR-F	7
6.9 PS ACR-F.....	7
6.10 TCL	8
6.11 ELTCTL	8
6.12 Coupling attenuation.....	8
6.13 Alien (exogenous) crosstalk.....	8
6.14 Direct current loop resistance	8
6.15 Direct current resistance unbalance.....	8
6.16 Propagation delay.....	8
6.17 Delay skew	8
7 MPTL cabling performance	8
7.1 General.....	8
7.2 Reference performance testing	8
7.3 Installation performance testing	9
7.4 Installation performance testing of MPTLs.....	9
8 Testing of MPTLs	11
Bibliography.....	12
Figure 1 – MPTL configurations	6
Table 1 – Test regime for reference performance and installation performance – MPTLs of Classes D, E, E _A , F, F _A , I and II	10

ITeh STANDARD PREVIEW
(standards.iteh.ai)

<https://standards.iteh.ai/catalog/standards/sist/80c41298-784f-4ef5-9eb3-b51ca29adb57/iso-iec-tr-11801-9910-2020>

INFORMATION TECHNOLOGY – GENERIC CABLING FOR CUSTOMER PREMISES –

Part 9910: Specifications for modular plug terminated link cabling

FOREWORD

- 1) ISO (the International Organization for Standardization) and IEC (the International Electrotechnical Commission) form the specialized system for worldwide standardization. National bodies that are members of ISO or IEC participate in the development of International Standards through technical committees established by the respective organization to deal with particular fields of technical activity. ISO and IEC technical committees collaborate in fields of mutual interest. Other international organizations, governmental and non-governmental, in liaison with ISO and IEC, also take part in the work.
- 2) The formal decisions or agreements of IEC and ISO on technical matters express, as nearly as possible, an international consensus of opinion on the relevant subjects since each technical committee has representation from all interested IEC and ISO National bodies.
- 3) IEC and ISO documents have the form of recommendations for international use and are accepted by IEC and ISO National bodies in that sense. While all reasonable efforts are made to ensure that the technical content of IEC and ISO documents is accurate, IEC and ISO cannot be held responsible for the way in which they are used or for any misinterpretation by any end user.
- 4) In order to promote international uniformity, IEC and ISO National bodies undertake to apply IEC and ISO documents transparently to the maximum extent possible in their national and regional publications. Any divergence between any IEC and ISO document and the corresponding national or regional publication shall be clearly indicated in the latter.
- 5) IEC and ISO do not provide any attestation of conformity. Independent certification bodies provide conformity assessment services and, in some areas, access to IEC and ISO marks of conformity. IEC and ISO are not responsible for any services carried out by independent certification bodies.
- 6) All users should ensure that they have the latest edition of this document.
- 7) No liability shall attach to IEC and ISO or their directors, employees, servants or agents including individual experts and members of its technical committees and IEC and ISO National bodies for any personal injury, property damage or other damage of any nature whatsoever, whether direct or indirect, or for costs (including legal fees) and expenses arising out of the publication, use of, or reliance upon, this ISO/IEC document or any other IEC and ISO documents.
- 8) Attention is drawn to the Normative references cited in this document. Use of the referenced publications is indispensable for the correct application of this document.
- 9) Attention is drawn to the possibility that some of the elements of this ISO/IEC document may be the subject of patent rights. IEC and ISO shall not be held responsible for identifying any or all such patent rights.

The main task of IEC and ISO technical committees is to prepare International Standards. However, a technical committee may propose the publication of a Technical Report when it has collected data of a different kind from that which is normally published as an International Standard, for example "state of the art".

ISO/IEC TR 11801-9910, which is a Technical Report, was prepared by subcommittee 25: Interconnection of information technology equipment, of ISO/IEC joint technical committee 1: Information technology.

The list of all currently available parts of the ISO/IEC 11801 series, under the general title *Information technology – Generic cabling for customer premises*, can be found on the IEC and ISO websites.

The text of this Technical Report is based on the following documents:

DTR	Report on voting
JTC1-SC25/2924/DTR	JTC1-SC25/2941/RVDTR

Full information on the voting for the approval of this Technical Report can be found in the report on voting indicated in the above table.

This document has been drafted in accordance with the ISO/IEC Directives, Part 2.

INTRODUCTION

This document provides definitions and examples of modular plug terminated links (MPTL). It provides performance specifications for Classes D, E, E_A, F, F_A, I and II modular plug terminated links that can also be used to verify the performance of field terminated modular plug connectors.

iTeh STANDARD PREVIEW
(standards.iteh.ai)

[ISO/IEC TR 11801-9910:2020](https://standards.iteh.ai/catalog/standards/sist/80c41298-784f-4ef5-9eb3-b5fca29adb57/iso-iec-tr-11801-9910-2020)

<https://standards.iteh.ai/catalog/standards/sist/80c41298-784f-4ef5-9eb3-b5fca29adb57/iso-iec-tr-11801-9910-2020>

INFORMATION TECHNOLOGY – GENERIC CABLING FOR CUSTOMER PREMISES –

Part 9910: Specifications for modular plug terminated link cabling

1 Scope

This part of ISO/IEC 11801, which is a Technical Report, provides definitions for, and examples of, modular plug terminated link configurations.

This document provides performance specifications for Classes D, E, E_A, F, F_A, I and II modular plug terminated links.

Test methods are provided in Clause 8 and are specified in ISO/IEC 14763-4:–1.

2 Normative references

The following documents are referred to in the text in such a way that some or all of their content constitutes requirements of this document. For dated references, only the edition cited applies. For undated references, the latest edition of the referenced document (including any amendments) applies.

ISO/IEC 11801-1, *Information technology – Generic cabling for customer premises – Part 1: General requirements*

<https://standards.iteh.ai/catalog/standards/sist/80c41298-784f-4ef5-9eb3-b5fca29adb57/iso-iec-tr-11801-9910-2020>

3 Terms, definitions, abbreviated terms and symbols

3.1 Terms and definitions

For the purposes of this document, the terms and definitions given in ISO/IEC 11801-1 and the following apply.

ISO and IEC maintain terminological databases for use in standardization at the following addresses:

- IEC Electropedia: available at <http://www.electropedia.org/>
- ISO Online browsing platform: available at <http://www.iso.org/obp>

3.1.1

modular plug terminated link

type of link terminated with a free connector (modular plug) on one end

3.2 Abbreviated terms

For the purposes of this document, the abbreviated terms given in ISO/IEC 11801-1 and the following apply.

MPTL modular plug terminated link

¹ To be published. Stage at the time of publication: ISO/IEC CDV 14763-4:2020.

3.3 Symbols

For the purposes of this document, the symbols given in ISO/IEC 11801-1 apply.

4 Specifications

The specifications for MPTLs assume the following.

- a) The configurations and structure meet the specifications outlined in Clause 5 (see Figure 1).
- b) The interfaces to the cabling meet the specifications of ISO/IEC 11801-1 with respect to mating interfaces and performance.
- c) Installation is performed in accordance with ISO/IEC 14763-2.
- d) The MPTL meets the specifications of Clause 6.
- e) The performance of MPTLs as specified in Clause 6 supports the link specifications specified in ISO/IEC 11801-1. Performance can be achieved by one of the following when the additional connections are included in the test results:
 - 1) an MPTL design and implementation ensuring that the prescribed transmission performance is met;
 - 2) using compatible cabling components that meet the specifications of ISO/IEC 11801-1;
 - 3) performance testing to the specifications of Clause 6.

5 MPTL configuration

The 2-connection MPTL as shown in Figure 1 is applicable to cabling Classes D, E, E_A, F, F_A, I and II. The 3-connection MPTL as shown in Figure 1 is applicable only to cabling Classes D, E, E_A, F and F_A.

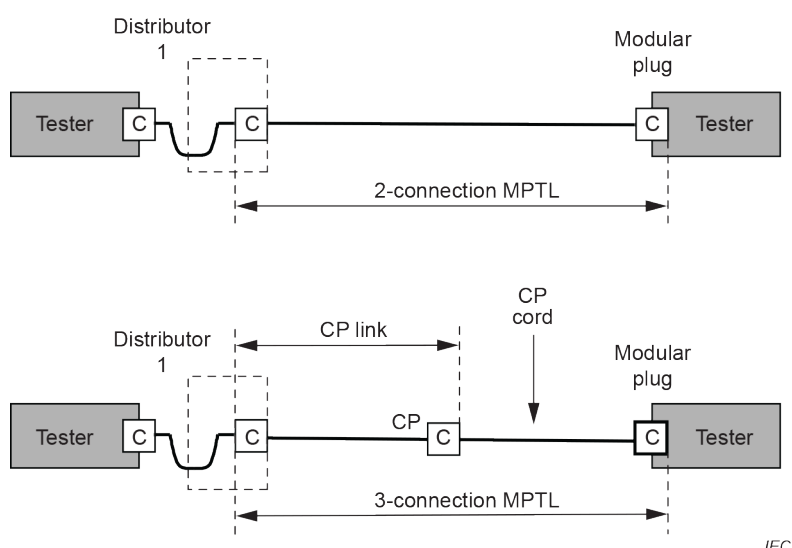


Figure 1 – MPTL configurations

IEC

6 Performance specifications

6.1 General

MPTL performance specifications are based on applicable 2-connection or 3-connection permanent link performance requirements for corresponding Classes as specified in ISO/IEC 11801-1:2017, Clause 7. These specifications are based on the modelling techniques described in ISO/IEC TR 11801-9903 using the balanced cabling components of Categories 5, 6, 6_A, 7, 7_A, 8.1 and 8.2 of ISO/IEC 11801-1:2017 to provide the specification for Classes D, E, E_A, F, F_A, I and II, respectively.

6.2 Return loss

Return loss performance for Classes D, E, E_A, F, F_A, I and II MPTLs meet the requirements of ISO/IEC 11801-1:2017, 7.2.2.

6.3 Insertion loss

Insertion loss performance for Classes D, E, E_A, F, F_A, I and II MPTLs meet the requirements of ISO/IEC 11801-1:2017, 7.2.3.

6.4 NEXT

NEXT performance for Classes D, E, E_A, F and F_A MPTLs meet the requirements of ISO/IEC 11801-1:2017, 7.2.4.1, 3-connection link. NEXT performance for Classes I and II MPTLs meet the requirements of ISO/IEC 11801-1:2017, 7.2.4.1, 2-connection link.

6.5 PS NEXT

PS NEXT performance for Classes D, E, E_A, F and F_A MPTLs meet the requirements of ISO/IEC 11801-1:2017, 7.2.4.2, 3-connection link. PS NEXT performance for Classes I and II MPTLs meet the requirements of ISO/IEC 11801-1:2017, 7.2.4.2, 2-connection link.

6.6 ACR-N

ACR-N performance for Classes D, E, E_A, F and F_A MPTLs meet the requirements of ISO/IEC 11801-1:2017, 7.2.5.2, 3-connection link. ACR-N performance for Classes I and II MPTLs meet the requirements of ISO/IEC 11801-1:2017, 7.2.5.2, 2-connection link.

6.7 PS ACR-N

PS ACR-N performance for Classes D, E, E_A, F and F_A MPTLs meet the requirements of ISO/IEC 11801-1:2017, 7.2.5.3, 3-connection link. PS ACR-N performance for Classes I and II MPTLs meet the requirements of ISO/IEC 11801-1:2017, 7.2.5.3, 2-connection link.

6.8 ACR-F

ACR-F performance for Classes D, E, E_A, F and F_A MPTLs meet the requirements of ISO/IEC 11801-1:2017, 7.2.6.2, 3-connection link. ACR-F performance for Classes I and II MPTLs meet the requirements of ISO/IEC 11801-1:2017, 7.2.6.2, 2-connection link.

6.9 PS ACR-F

PS ACR-F performance for Classes D, E, E_A, F and F_A MPTLs meet the requirements of ISO/IEC 11801-1:2017, 7.2.6.3, 3-connection link. PS ACR-F performance for Classes I and II MPTLs meet the requirements of ISO/IEC 11801-1:2017, 7.2.6.3, 2-connection link.