



Designation: C506M – 19

Standard Specification for Reinforced Concrete Arch Culvert, Storm Drain, and Sewer Pipe (Metric)¹

This standard is issued under the fixed designation C506M; the number immediately following the designation indicates the year of original adoption or, in the case of revision, the year of last revision. A number in parentheses indicates the year of last reapproval. A superscript epsilon (ϵ) indicates an editorial change since the last revision or reapproval.

This standard has been approved for use by agencies of the U.S. Department of Defense.

1. Scope*

1.1 This specification covers reinforced arch-shaped concrete pipe to be used for the conveyance of sewage, industrial wastes, storm water, and for the construction of culverts.

1.2 This specification is the SI companion to Specification C506; therefore, no inch-pound equivalents are presented in this specification. Reinforced concrete pipe that conform to the requirements of Specification C506 are acceptable under this Specification C506M unless prohibited by the owner.

NOTE 1—This specification is a manufacturing and purchase specification only, and does not include requirements for bedding, backfill, or the relationship between field load condition and the strength classification of pipe. However, experience has shown that the successful performance of this product depends upon the proper selection of the class of pipe, type of bedding and backfill, and care that the installation conforms to the construction specifications. The owner of the reinforced concrete pipe specified herein is cautioned that he must correlate the field requirements with the class of pipe specified and provide inspection at the construction site.

1.3 *This international standard was developed in accordance with internationally recognized principles on standardization established in the Decision on Principles for the Development of International Standards, Guides and Recommendations issued by the World Trade Organization Technical Barriers to Trade (TBT) Committee.*

2. Referenced Documents

2.1 ASTM Standards:²

[A36/A36M Specification for Carbon Structural Steel](#)

[A615/A615M Specification for Deformed and Plain Carbon-](#)

[Steel Bars for Concrete Reinforcement](#)

[A706/A706M Specification for Deformed and Plain Low-Alloy Steel Bars for Concrete Reinforcement](#)

[A1064/A1064M Specification for Carbon-Steel Wire and Welded Wire Reinforcement, Plain and Deformed, for Concrete](#)

[C33/C33M Specification for Concrete Aggregates](#)

[C150/C150M Specification for Portland Cement](#)

[C260/C260M Specification for Air-Entraining Admixtures for Concrete](#)

[C309 Specification for Liquid Membrane-Forming Compounds for Curing Concrete](#)

[C494/C494M Specification for Chemical Admixtures for Concrete](#)

[C497M Test Methods for Concrete Pipe, Concrete Box Sections, Manhole Sections, or Tile \(Metric\)](#)

[C595/C595M Specification for Blended Hydraulic Cements](#)

[C618 Specification for Coal Fly Ash and Raw or Calcined Natural Pozzolan for Use in Concrete](#)

[C822 Terminology Relating to Concrete Pipe and Related Products](#)

[C989/C989M Specification for Slag Cement for Use in Concrete and Mortars](#)

[C990M Specification for Joints for Concrete Pipe, Manholes, and Precast Box Sections Using Preformed Flexible Joint Sealants \(Metric\)](#)

[C1017/C1017M Specification for Chemical Admixtures for Use in Producing Flowing Concrete](#)

[C1116/C1116M Specification for Fiber-Reinforced Concrete](#)

[C1602/C1602M Specification for Mixing Water Used in the Production of Hydraulic Cement Concrete](#)

3. Terminology

3.1 *Definitions*—For definitions of terms relating to concrete pipe, see Terminology [C822](#).

4. Classification

4.1 Pipe manufactured according to this specification shall be of three classes identified as Class A-II, A-III, and A-IV. The strength requirements are prescribed in [Table 1](#).

¹ This specification is under the jurisdiction of ASTM Committee C13 on Concrete Pipe and is the direct responsibility of Subcommittee C13.02 on Reinforced Sewer and Culvert Pipe.

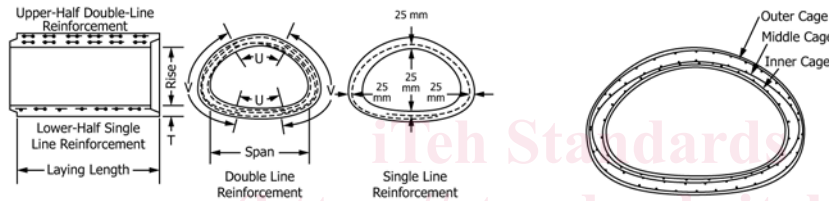
Current edition approved July 1, 2019. Published July 2019. Originally approved in 1980. Last previous edition approved in 2018 as C506M – 18. DOI: 10.1520/C0506M-19.

² For referenced ASTM standards, visit the ASTM website, www.astm.org, or contact ASTM Customer Service at service@astm.org. For *Annual Book of ASTM Standards* volume information, refer to the standard's Document Summary page on the ASTM website.

*A Summary of Changes section appears at the end of this standard

TABLE 1 Strength Requirements for Reinforced Concrete Pipe^A

Approximate Equivalent Round Size, mm	T, mm	Minimum Rise, mm	Minimum Span, mm	Double Line Reinforcement ^C																				
				f'c ^B MPa			Continuous Basic Reinforcement = A									Additional Reinforcement = A _s ^D						Single Line Reinforcement		
							Inner Cage			Outer Cage			"U" (Inner Cage)			"V" (Outer Cage)								
				Class	Dimension, mm			Dimension, mm			Dimension, mm			Dimension, mm										
375	57	280	460	27.6	27.6	27.6	1.7	2.5	3.6		
450	63	345	560	27.6	27.6	27.6	2.3	3.0	5.5		
525	69	395	660	27.6	27.6	27.6	2.8	3.6	6.1		
600	75	460	725	27.6	27.6	27.6	660	735	3.4	4.6	6.8		
750	88	570	920	27.6	27.6	27.6	1.9	2.5	3.8	1.5	1.9	3.0	760	1.9	2.5	3.8	865	1.5	1.9	2.8	3.8	5.1	7.6	
900	100	675	1110	27.6	27.6	27.6	2.3	3.2	4.6	1.9	2.5	3.6	865	2.3	3.2	4.6	990	1.9	2.5	3.4	4.6	6.3	9.3	
1050	113	795	1300	27.6	27.6	27.6	2.8	3.8	5.7	2.1	3.0	4.4	1065	2.8	3.8	5.7	1090	2.1	3.0	4.6	5.5	7.6	11.4	
1200	125	915	1485	27.6	27.6	...	3.2	4.6	...	2.5	3.6	...	1220	3.2	4.6	...	1245	2.5	3.6	...	6.3	9.3	...	
1350	138	1015	1650	27.6	27.6	...	3.8	5.1	...	3.0	4.0	...	1320	3.8	5.1	...	1395	3.0	4.0	...	7.6	10.2	...	
1500	150	1145	1855	27.6	27.6	...	4.4	5.9	...	3.6	4.6	...	1525	4.4	5.9	...	1700	3.6	4.6	...	8.9	11.8	...	
1800	175	1370	2235	27.6	34.5	...	5.5	7.6	...	4.2	5.9	...	1725	5.5	7.6	...	1955	4.2	5.9	...	11.0	15.2	...	
2100	200	1575	2590	27.6	34.5	...	6.8	9.3	...	5.1	7.2	6.8	9.3	5.1	7.2	...	13.5	18.6	...	
2250	213	1830	2920	
2400	225	1960	3100	
2700	250	2215	3505	
3000	275	2460	3910	
3300	250	2705	4285	



Class	0.3-mm Crack	Ultimate
A-II	50.0	75.0
A-III	65.0	100.0
A-IV	100.0	150.0

Note—Test load in newtons per linear metre equals D-load × inside span in millimetres.

^A For modified or special designs, see 7.3.

^B f'c = minimum compressive strength of concrete in megapascals.

^C As an alternative to designs requiring double line reinforcement, the reinforcement may be positioned and proportioned so that the total reinforcement of the inner cage plus the middle cage shall not be less than that specified for the inner cage continuous basic reinforcement, and the additional reinforcement "U" and the total reinforcement of the outer cage plus the middle cage shall not be less than that specified for the outer cage continuous basic reinforcement and the additional reinforcement "V."

^D A_s = circumferential steel area in square millimetres per longitudinal centimetre of pipe barrel in each continuous basic cage and additional cages in area denoted "U" and "V." Dimensions "U" and "V" are measured on the center line of the culvert wall.

5. Basis of Acceptance

5.1 Unless otherwise designated by the owner at the time of, or before placing an order, there are two separate and alternative bases of acceptance. Independent of the method of acceptance, the pipe shall be designed to meet both the 0.01-in. crack and ultimate strength requirements.

5.1.1 *Acceptance on Basis of Plant Load Bearing Tests, Material Tests, and Inspection of Manufactured Pipe for Visual Defects and Imperfections*—Acceptability of the pipe in all diameters and classes produced in accordance with 7.1 or 7.2 shall be determined by the results of the three-edge-bearing tests as defined in 11.3.1; by such material tests as are required in accordance with 6.2, 6.3, 6.5, and 6.6, by an absorption test of the concrete from the wall of the pipe as required in 11.9; and by visual inspection of the finished pipe to determine its conformance with the accepted design and its freedom from defects.

5.1.2 *Acceptance on the Basis of Material Test and Inspection of Manufactured Pipe for Defects and Imperfections*—Acceptability of the pipe in all diameters and classes produced in accordance with 7.1 or 7.2 shall be determined by the results

of such material tests as are required in accordance with 6.2, 6.3, 6.5, and 6.6; by crushing tests on concrete cores or cured concrete cylinders; by an absorption test of the concrete from the wall of the pipe for each mix design that is used on an order; and by inspection of the finished pipe, including amount and placement of reinforcement, to determine its conformance with the accepted design and its freedom from defects.

5.1.3 When agreed upon by the owner and the manufacturer, any portion or any combination of the tests itemized in 5.1.1 or 5.1.2 may form the basis of acceptance.

5.2 *Age for Acceptance*—Pipe shall be considered ready for acceptance when they conform to the requirements as indicated by the specified tests.

6. Materials

6.1 *Reinforced Concrete*—The reinforced concrete shall consist of cementitious materials, mineral aggregates, water, and admixtures, if used, in which steel has been embedded in such a manner that the steel and concrete act together.

6.2 *Cementitious Materials*:

6.2.1 *Cement*—Cement shall conform to the requirements for portland cement of Specification **C150/C150M**, or shall be portland blast-furnace slag cement, portland-limestone cement, or portland-pozzolan cement conforming to the requirements of Specification **C595/C595M**, except that the pozzolan constituent in the Type IP portland pozzolan cement shall be fly ash.

6.2.2 *Slag Cement*—Slag cement shall conform to the requirements of Grade 100 or 120 of Specification **C989/C989M**.

6.2.3 *Fly Ash*—Fly ash shall conform to the requirements of Class F or Class C of Specification **C618**.

6.2.4 *Allowable Combinations of Cementitious Materials*—The combination of cementitious materials used in the concrete shall be one of the following:

6.2.4.1 Portland cement only,

6.2.4.2 Portland blast-furnace slag cement only,

6.2.4.3 Portland-pozzolan cement only,

6.2.4.4 Portland-limestone cement only,

6.2.4.5 A combination of portland cement or portland-limestone cement and slag cement,

6.2.4.6 A combination of portland cement or portland-limestone cement and fly ash,

6.2.4.7 A combination of portland cement or portland-limestone cement, slag cement, and fly ash, or

6.2.4.8 A combination of portland pozzolan cement and fly ash.

6.3 *Aggregates*—Aggregates shall conform to the requirements of Specification **C33/C33M** except that the requirement for gradation shall not apply.

6.4 *Admixtures*—The following admixtures and blends are allowable:

6.4.1 Air-entraining admixture conforming to Specification **C260/C260M**;

6.4.2 Chemical admixture conforming to Specification **C494/C494M**;

6.4.3 Chemical admixture for use in producing flowing concrete conforming to Specification **C1017/C1017M**; and

6.4.4 Chemical admixture or blend approved by the owner.

6.5 *Steel Reinforcement*—Reinforcement shall consist of wire or welded wire conforming to of Specification **A1064/A1064M** or of bars conforming to Specification **A36/A36M**, Specification **A615/A615M** Grade 280 or 420, or Specification **A706/A706M** Grade 420. For helically wound cages only, weld shear tests are not required.

6.6 *Fibers*—Synthetic fibers and nonsynthetic fibers shall be allowed to be used, at the manufacturer's option, in concrete pipe as a nonstructural manufacturing material. Synthetic fibers (Type II and Type III) and nonsynthetic fiber (Type I) designed and manufactured specifically for use in concrete and conforming to the requirements of Specification **C1116/C1116M** shall be accepted.

6.7 *Water*—Water used in the production of concrete shall be potable or nonpotable water that meets the requirements of Specification **C1602/C1602M**.

7. Design

7.1 *Size and Dimensions*—The standard sizes of arch pipe are listed in **Table 1**. The internal dimensions for each standard size shall be as defined in **Fig. 1**, subject to the permissible variations of Section 12.

7.2 *Design Tables*—The wall thickness, compressive strength of concrete, and the area of circumferential reinforcement shall be as prescribed in **Table 1**, subject to the provisions of 7.3, 11.4, and Section 12.

7.2.1 Footnotes to the tables herein are intended to be amplifications of the tabulated requirements and are to be considered applicable and binding as if they were contained in the body of the specification.

7.3 Modified and Special Designs:

7.3.1 If permitted by the owner, the manufacturer may request approval by the owner of modified designs that differ from the designs in this Section 7 or special designs for sizes and loads beyond those shown in **Table 1**, or special designs for pipe sizes that do not have steel reinforcement areas shown in **Table 1**.

7.3.2 Such modified or special designs shall be based on rational or empirical evaluations of the ultimate strength and cracking behavior of pipe and shall fully describe to the owner any deviations from the requirements of this Section 7. The descriptions of modified or special designs shall include the wall thickness, the concrete strength, and the area, type, placement, number of layers, and strength of the steel reinforcement.

7.3.3 The manufacturer shall submit to the owner proof of the adequacy of the proposed modified or special design. Such proof may comprise the submission of certified three-edge-bearing tests already made, which are acceptable to the owner or, if such three-edge-bearing tests are not available or acceptable, the manufacturer may be required to perform proof tests on sizes and classes selected by the owner to demonstrate the adequacy of the proposed design.

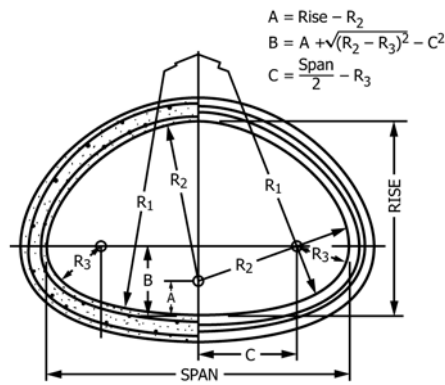
7.3.4 Such pipe must meet all of the test and performance requirements specified by the owner in accordance with Section 5.

7.4 *Area*—In this specification, when the word area is not described by adjectives, such as cross-sectional or single wire, it shall be understood to be the cross-sectional area of reinforcement per unit lengths of pipe.

8. Reinforcement

8.1 *Circumferential Reinforcement*—A line of circumferential reinforcement for any given total area may be composed of two layers for pipe with wall thicknesses of less than 180 mm or three layers for pipe with wall thicknesses of 180 mm or greater. The layers shall not be separated by more than the thickness of one longitudinal plus 6 mm. The multiple layers shall be fastened together to form a single cage. All other specification requirements such as laps, welds, and tolerances of placement in the wall of the pipe, etc., shall apply to this method of fabricating a line of reinforcement.

8.1.1 Where one line of reinforcement is used, it shall be placed so that the cover of the concrete over the circumferential



Approximate Equivalent Round Size, mm	Water Area, m ²	Rise, mm	Span, mm	A, mm	B, mm	C, mm	R ₁ , mm	R ₂ , mm	R ₃ , mm
375	0.10	280	460	10	121	128	580	270	102
450	0.15	345	560	-5	153	145	700	350	135
525	0.20	395	660	20	158	195	900	375	135
600	0.26	460	725	90	153	248	1035	370	115
750	0.41	570	920	95	194	305	1300	475	155
900	0.59	675	1110	105	218	395	1575	570	160
1050	0.82	795	1300	130	258	460	1855	665	190
1200	1.06	915	1485	155	297	522	2135	760	220
1350	1.33	1015	1650	170	330	575	2350	850	250
1500	1.64	1145	1855	190	373	642	2670	955	285
1800	2.38	1370	2235	225	428	798	3200	1145	320
2100	3.21	1575	2590	255	475	940	4130	1320	355
2250	4.13	1830	2920	330	604	970	4650	1500	490
2400	4.80	1960	3100	385	616	1040	5535	1575	510
2700	6.13	2215	3505	435	681	1182	6835	1780	570
3000	7.60	2460	3910	480	740	1345	7655	1980	610
3300	9.21	2705	4285	530	835	1458	8355	2175	685

FIG. 1 Cross-Sectional Shape of Arch Pipe

reinforcement at the vertical and horizontal diameters of the pipe is 25 mm from the inside and outside surfaces of the pipe, except for wall thicknesses less than 62 mm, the protective cover of the concrete over the circumferential reinforcement in the wall of the pipe shall be 18 mm.

8.1.2 Where two lines of reinforcement of arch shape corresponding to the contour of the pipe are used, each line shall be so placed that the covering of concrete over the reinforcement is 25 mm.

8.1.3 The location of the reinforcement shall be subject to the permissible variations in dimensions given in 12.5. Requirements for placement and protective covering of the concrete from the inner or outer surface of the pipe do not apply to that portion of a cage which is flared so as to extend into the bell or reduced in diameter so as to extend into the spigot.

8.1.3.1 Where the wall reinforcement does not extend into the joint, the maximum longitudinal distance to the last circumferential from the inside shoulder of the bell or the shoulder of the spigot shall be 75 mm except that if this distance exceed one-half the wall thickness, the pipe wall shall contain at least a total reinforcement area of the minimum specified area per linear foot times the laying length of the pipe section. The minimum cover on the last circumferential near the spigot shoulder shall be 13 mm.

8.1.3.2 Where the reinforcement is in the bell or spigot the minimum end cover on the last circumferential shall be 13 mm in the bell or 6 mm in the spigot.

8.1.4 The spacing center to center of circumferential reinforcement in a cage shall not exceed 100 mm for pipe up to and including pipe having a 100-mm wall thickness nor exceed the wall thickness for larger pipe, and shall in no case exceed 150 mm.

8.1.5 The continuity of the circumferential reinforcing steel shall not be destroyed during the manufacture of the pipe, except that when agreed upon by the owner, lift eyes or holes may be provided in each pipe for the purpose of handling.

8.1.6 If splices are not welded, the reinforcement shall be lapped not less than 20 diameters for deformed bars and deformed cold-worked wire, and 40 diameters for plain bars and cold-drawn wire. In addition, where lapped cages of welded-wire fabric are used without welding, the lap shall contain a longitudinal wire.

8.1.6.1 When splices are welded and are not lapped to the minimum requirements above, there shall be a minimum lap of 50 mm and a weld such that pull tests of representative specimens shall develop at 50 % of the minimum specified tensile strength of the steel. For butt-welded splices in bars or wire, permitted only with helically wound cages, pull tests of representative specimens shall develop at least 75 % of the