

INTERNATIONAL STANDARD



Method of sampling insulating liquids

ITh Standards
(<https://standards.iteh.ai>)
Document Preview

IEC 60475:2022

<https://standards.iteh.ai/catalog/standards/iec/0dd33cb9-3548-4b1d-89e2-eeb22e6d547d/iec-60475-2022>



THIS PUBLICATION IS COPYRIGHT PROTECTED
Copyright © 2022 IEC, Geneva, Switzerland

All rights reserved. Unless otherwise specified, no part of this publication may be reproduced or utilized in any form or by any means, electronic or mechanical, including photocopying and microfilm, without permission in writing from either IEC or IEC's member National Committee in the country of the requester. If you have any questions about IEC copyright or have an enquiry about obtaining additional rights to this publication, please contact the address below or your local IEC member National Committee for further information.

IEC Secretariat
3, rue de Varembe
CH-1211 Geneva 20
Switzerland

Tel.: +41 22 919 02 11
info@iec.ch
www.iec.ch

About the IEC

The International Electrotechnical Commission (IEC) is the leading global organization that prepares and publishes International Standards for all electrical, electronic and related technologies.

About IEC publications

The technical content of IEC publications is kept under constant review by the IEC. Please make sure that you have the latest edition, a corrigendum or an amendment might have been published.

IEC publications search - webstore.iec.ch/advsearchform

The advanced search enables to find IEC publications by a variety of criteria (reference number, text, technical committee, ...). It also gives information on projects, replaced and withdrawn publications.

IEC Just Published - webstore.iec.ch/justpublished

Stay up to date on all new IEC publications. Just Published details all new publications released. Available online and once a month by email.

IEC Customer Service Centre - webstore.iec.ch/csc

If you wish to give us your feedback on this publication or need further assistance, please contact the Customer Service Centre: sales@iec.ch.

IEC Products & Services Portal - products.iec.ch

Discover our powerful search engine and read freely all the publications previews. With a subscription you will always have access to up to date content tailored to your needs.

Electropedia - www.electropedia.org

The world's leading online dictionary on electrotechnology, containing more than 22 300 terminological entries in English and French, with equivalent terms in 19 additional languages. Also known as the International Electrotechnical Vocabulary (IEV) online.

International Standards
standards.iteh.ai
Document Preview

[IEC 60475:2022](https://standards.iteh.ai/catalog/standards/iec/0dd33cb9-3548-4b1d-89c2-eeb22e6d547d/iec-60475-2022)

<https://standards.iteh.ai/catalog/standards/iec/0dd33cb9-3548-4b1d-89c2-eeb22e6d547d/iec-60475-2022>



IEC 60475

Edition 3.0 2022-05
COMMENTED VERSION

INTERNATIONAL STANDARD



Method of sampling insulating liquids

Method of sampling insulating liquids
(<https://standards.iteh.ai>)
Document Preview

[IEC 60475:2022](#)

<https://standards.iteh.ai/catalog/standards/iec/0dd33cb9-3548-4b1d-89e2-eeb22e6d547d/iec-60475-2022>

INTERNATIONAL
ELECTROTECHNICAL
COMMISSION

ICS 29.040.10

ISBN 978-2-8322-3524-9

Warning! Make sure that you obtained this publication from an authorized distributor.

CONTENTS

FOREWORD	3
INTRODUCTION	5
1 Scope	6
2 Normative references	6
3 Terms and definitions	6
4 General principles for the sampling of insulating liquids.....	7
4.1 New insulating liquids in delivery containers	7
4.1.1 Place of sampling	7
4.1.2 Quantity of sample to be taken.....	7
4.1.3 Sampling equipment	7
4.1.4 Sampling procedure.....	11
4.2 Sampling of oil from oil-filled equipment	13
4.2.1 General remarks.....	13
4.2.2 Sampling of oil by syringe.....	19
4.2.3 Sampling of oil by ampoule	20
4.2.4 Sampling of oil by flexible metal bottles	21
4.2.5 Sampling of oil by glass and rigid metal bottles	22
4.2.6 Sampling of oil by plastic bottles	23
4.3 Storage and transportation of samples	23
4.4 Labelling of samples	23
Annex A (informative) Procedure for sampling at intermediate levels (making up of the average sample)	25
A.1 Use of the thief dipper	25
A.2 Use of the pipette	25
A.3 Use of the siphon	25
A.4 General remark	25
Annex B (informative) Procedure for testing the integrity of the syringes	26
Annex C (informative) Procedure for sampling oil from bushings.....	27
Bibliography.....	29
List of comments.....	30
Figure 1 – Thief dipper	8
Figure 2 – Cream dipper.....	9
Figure 3 – Pipette	10
Figure 4 – Siphon.....	10
Figure 5 – Sampling of oil by syringe	15
Figure 6 – Sampling of oil by ampoule	16
Figure 7 – Sampling of oil by bottle.....	17
Table 1 – Types of samples of new insulating liquids.....	11
Table 2 – Sample containers for oil tests.....	18
Table 3 – Information required on oil sample labels.....	24

INTERNATIONAL ELECTROTECHNICAL COMMISSION

METHOD OF SAMPLING INSULATING LIQUIDS

FOREWORD

- 1) The International Electrotechnical Commission (IEC) is a worldwide organization for standardization comprising all national electrotechnical committees (IEC National Committees). The object of IEC is to promote international co-operation on all questions concerning standardization in the electrical and electronic fields. To this end and in addition to other activities, IEC publishes International Standards, Technical Specifications, Technical Reports, Publicly Available Specifications (PAS) and Guides (hereafter referred to as "IEC Publication(s)"). Their preparation is entrusted to technical committees; any IEC National Committee interested in the subject dealt with may participate in this preparatory work. International, governmental and non-governmental organizations liaising with the IEC also participate in this preparation. IEC collaborates closely with the International Organization for Standardization (ISO) in accordance with conditions determined by agreement between the two organizations.
- 2) The formal decisions or agreements of IEC on technical matters express, as nearly as possible, an international consensus of opinion on the relevant subjects since each technical committee has representation from all interested IEC National Committees.
- 3) IEC Publications have the form of recommendations for international use and are accepted by IEC National Committees in that sense. While all reasonable efforts are made to ensure that the technical content of IEC Publications is accurate, IEC cannot be held responsible for the way in which they are used or for any misinterpretation by any end user.
- 4) In order to promote international uniformity, IEC National Committees undertake to apply IEC Publications transparently to the maximum extent possible in their national and regional publications. Any divergence between any IEC Publication and the corresponding national or regional publication shall be clearly indicated in the latter.
- 5) IEC itself does not provide any attestation of conformity. Independent certification bodies provide conformity assessment services and, in some areas, access to IEC marks of conformity. IEC is not responsible for any services carried out by independent certification bodies.
- 6) All users should ensure that they have the latest edition of this publication.
- 7) No liability shall attach to IEC or its directors, employees, servants or agents including individual experts and members of its technical committees and IEC National Committees for any personal injury, property damage or other damage of any nature whatsoever, whether direct or indirect, or for costs (including legal fees) and expenses arising out of the publication, use of, or reliance upon, this IEC Publication or any other IEC Publications.
- 8) Attention is drawn to the Normative references cited in this publication. Use of the referenced publications is indispensable for the correct application of this publication.
- 9) Attention is drawn to the possibility that some of the elements of this IEC Publication may be the subject of patent rights. IEC shall not be held responsible for identifying any or all such patent rights.

This commented version (CMV) of the official standard IEC 60475:2022 edition 3.0 allows the user to identify the changes made to the previous IEC 60475:2011 edition 2.0. Furthermore, comments from IEC TC 10 experts are provided to explain the reasons of the most relevant changes, or to clarify any part of the content.

A vertical bar appears in the margin wherever a change has been made. Additions are in green text, deletions are in strikethrough red text. Experts' comments are identified by a blue-background number. Mouse over a number to display a pop-up note with the comment.

This publication contains the CMV and the official standard. The full list of comments is available at the end of the CMV.

IEC 60475 has been prepared by IEC technical committee 10: Fluids for electrotechnical applications. It is an International Standard.

This third edition cancels and replaces the second edition published in 2011. This edition constitutes a technical revision.

This edition includes the following significant technical changes with respect to the previous edition:

- a) addition of a new Annex C on sampling of oil from bushings, at the request of IEC subcommittee 36A, in order to transfer to IEC 60475 the corresponding contents of IEC TR 61464 relating to oil sampling from bushings;
- b) deletion of NOTE 2 in 4.2.1.2.

The text of this International Standard is based on the following documents:

Draft	Report on voting
10/1163/FDIS	10/1173/RVD

Full information on the voting for its approval can be found in the report on voting indicated in the above table.

The language used for the development of this International Standard is English.

This document was drafted in accordance with ISO/IEC Directives, Part 2, and developed in accordance with ISO/IEC Directives, Part 1 and ISO/IEC Directives, IEC Supplement, available at www.iec.ch/members_experts/refdocs. The main document types developed by IEC are described in greater detail at www.iec.ch/publications.

The committee has decided that the contents of this document will remain unchanged until the stability date indicated on the IEC website under webstore.iec.ch in the data related to the specific document. At this date, the document will be

- reconfirmed,
- withdrawn,
- replaced by a revised edition, or
- amended.

IMPORTANT – The 'colour inside' logo on the cover page of this publication indicates that it contains colours which are considered to be useful for the correct understanding of its contents. Users should therefore print this document using a colour printer.

INTRODUCTION

General caution, health, safety and environmental protection

WARNING – This document does not purport to address all the safety problems associated with its use. It is the responsibility of the user of this document to establish appropriate health and safety practices and determine the applicability of regulatory limitations prior to use.

The insulating oils which are the subject of this document should be handled with due regard to personal hygiene. Direct contact with the eyes ~~may~~ can cause irritation. In the case of eye contact, irrigation with copious quantities of clean running water should be carried out and medical advice sought. Some of the tests specified in this document involve the use of processes that could lead to a hazardous situation. Attention is drawn to the relevant standard for guidance.

Environment

This document is applicable to mineral oils and non-mineral oils, chemicals and used sample containers.

Attention is drawn to the fact that some mineral oils in service ~~may~~ can still be contaminated to some degree by PCBs. If this is the case, safety countermeasures should be taken to avoid risks to workers, the public and the environment during the life of the equipment, by strictly controlling spills and emissions. The disposal or decontamination of these oils ~~should be carried out strictly according to local regulations~~ can be subject to regulatory requirements with regard to their impact on the environment. Every precaution should be taken to prevent release of mineral oil and non-mineral oil into the environment.

Document Preview

[IEC 60475:2022](#)

<https://standards.iteh.ai/catalog/standards/iec/0dd33cb9-3548-4b1d-89c2-eeb22e6d547d/iec-60475-2022>

METHOD OF SAMPLING INSULATING LIQUIDS

1 Scope

This document is applicable to the **sampling procedure** ~~to be~~ used for insulating liquids in delivery containers and in electrical equipment such as power and instrument transformers, reactors, bushings, oil-filled cables, oil-filled tank-type capacitors, switchgear and load tap changers (LTCs).

This document applies to liquids the viscosity of which at the sampling temperature is less than 1 500 mm²/s (or cSt). It applies to mineral oils and non-mineral oils (such as synthetic esters, natural esters, vegetable oils or silicones).

2 Normative references

The following documents are referred to in the text in such a way that some or all of their content constitutes requirements of this document. For dated references, only the edition cited applies. For undated references, the latest edition of the referenced document (including any amendments) applies.

IEC 60567:2011, *Oil-filled electrical equipment – Sampling of gases and analysis of free and dissolved gases – Guidance*

IEC 60970, *Insulating liquids – Methods for counting and sizing particles*

3 Terms and definitions

For the purposes of this document, the following terms and definitions apply.

ISO and IEC maintain terminology databases for use in standardization at the following addresses:

- IEC Electropedia: available at <https://www.electropedia.org/>
- ISO Online browsing platform: available at <https://www.iso.org/obp>

3.1 delivery container

container used to store, transport and deliver batches of oil

EXAMPLE Drum, rail tanker, road tanker, flexible plastic bag.

3.2 electrical equipment

equipment filled with insulating oil

EXAMPLE Power and instrument transformers, reactors, bushings, oil-filled cables, oil-filled tank-type capacitors, switchgear and load tap changers (LTCs).

3.3 sampling equipment

equipment used for sampling oil from delivery containers (e.g. sampling probes, such as dippers or siphons) and from electrical equipment (e.g. connecting tubing and drain valve adapters)

Note 1 to entry: Sampling equipment also includes sample containers, waste oil containers and other accessories.

3.4

sample container

container or other device used to store and transport samples of oil for analysis

EXAMPLE Syringe, bottle, ampoule.

Note 1 to entry: Sample containers include accessories such as valves, tubing or caps attached to the container.

4 General principles for the sampling of insulating liquids

4.1 New insulating liquids in delivery containers

4.1.1 Place of sampling

The sample shall be taken from the part of the delivery container where the insulating liquid is likely to be most heavily contaminated. To evaluate the quality of a consignment, two types of samples may be normally taken:

- a) composite sample: mixture of samples taken at the same level in several containers;
- b) individual sample: sample or mixture of samples taken at the same level in one container.

From a delivery, individual samples of 1 l may be taken from different containers for the electric strength test. Further tests may be carried out on these samples and a complete examination on the mixture of these (composite sample).

In certain cases, it ~~may~~ can be useful to constitute an average sample within the container. An average sample is a mixture of samples taken at different levels in one container.

- 1) tankers: samples should be taken from each tanker as described in 4.1.4.2 below;
- 2) drums: samples should be taken as described in 4.1.4.3 below.

In the case of a single drum, this shall be sampled.

In case there is more than one drum of a lot of oil, sampling procedures should be negotiated between supplier and user. For example, samples can be taken from 10 % of drums or at least two drums, whichever the largest.

4.1.2 Quantity of sample to be taken

This depends on the tests to be performed and the procedures used.

Typically, 2 l are taken.

4.1.3 Sampling equipment

4.1.3.1 General

Since the results of the tests included in IEC requirements for insulating liquids can greatly depend on the impurities in the sample, it is essential to observe the following precautions:

- separate sampling equipment shall be reserved exclusively for each type of liquid. All seals and tubing used should be compatible with the insulating liquid to be sampled;
- the equipment shall be clean and dry, following the cleaning procedures described in 4.2.1.6. Particular care should be taken to ensure the absence of any traces of solid impurities, such as dust, fibres, ~~etc.~~. The use of rags for cleaning is not permitted.

4.1.3.2 Sampling probes

As examples, four types of sampling probes are described below. Other probes may also be used, provided they do not introduce any contamination. Stainless steel and aluminium are suitable.

a) Sampling from tankers

The thief dipper shown in Figure 1 is suitable for taking samples at the bottom of the container. This is a dipper constructed of stainless steel or aluminium tubes and castings, machine-finished all over. It shall be sufficiently heavy to sink in the liquid. It should always be suspended by means of a metal wire or chain. String or other fibrous materials shall not be used.

The cream dipper is used for taking top samples of insulating liquids. This probe shall be constructed as shown in Figure 2 and shall be of stainless steel.

Dimensions in millimetres

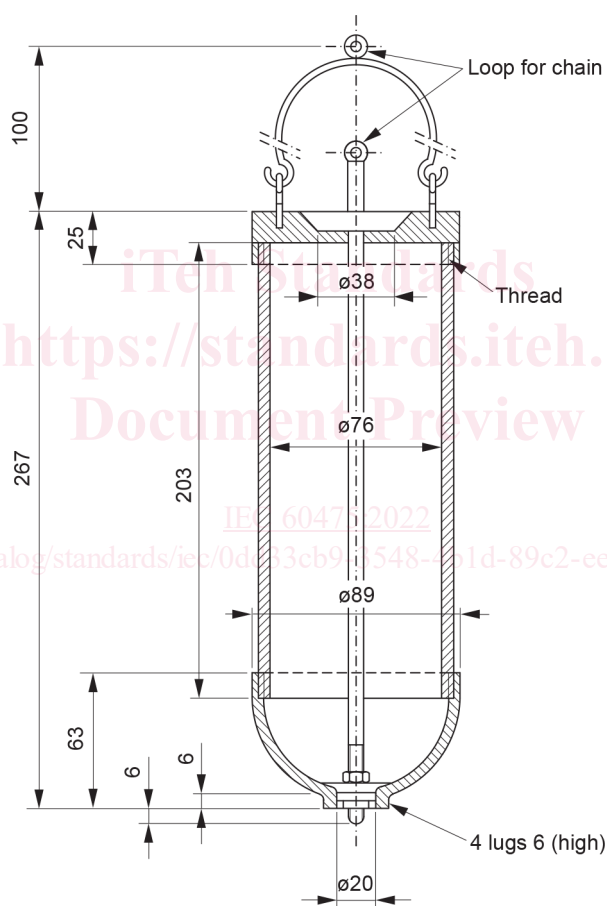
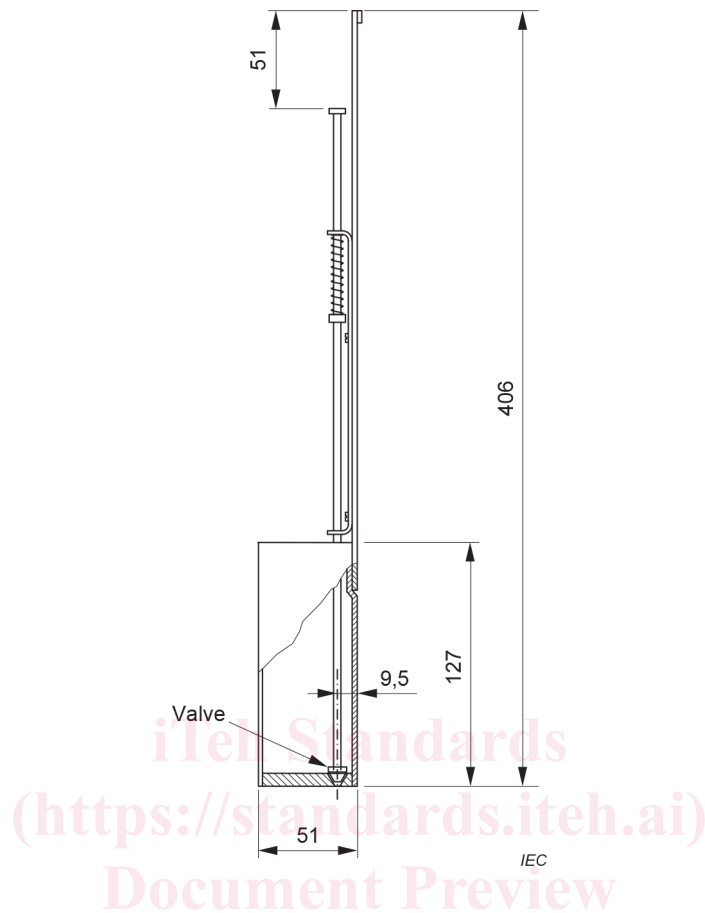


Figure 1 – Thief dipper

IEC

Dimensions in millimetres

**Figure 2 – Cream dipper**

b) Sampling from drums

IEC 60475:2022

The pipette shown in Figure 3 enables samples to be taken at the bottom of drums. This pipette has a capacity of about 500 ml.

Another probe to take samples at the bottom is shown in Figure 4; it is a siphon with a glass, stainless steel or aluminium tube having an internal diameter of about 13 mm for taking off the sample liquid, and a metal tube (internal diameter 5 mm) for applying pressure. Both tubes are set in an oil-resistant bung whose dimensions correspond to the diameter of the bung hole in the drum. Commercial versions of this equipment are available. When possible, glass is preferable for probes illustrated in Figure 3 and Figure 4.

The cream dipper (Figure 2) may be used for taking top samples.

Dimensions in millimetres

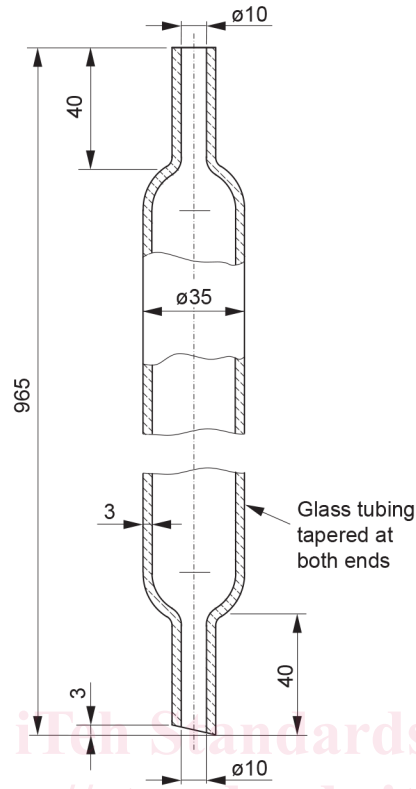


Figure 3 – Pipette

IEC 60475:2022

Dimensions in millimetres

<https://standards.iteh.ai/catalog/standards/iec/0d4e59-3548-4b1d-89c2-eeb22e6d> IEC 60475:2022

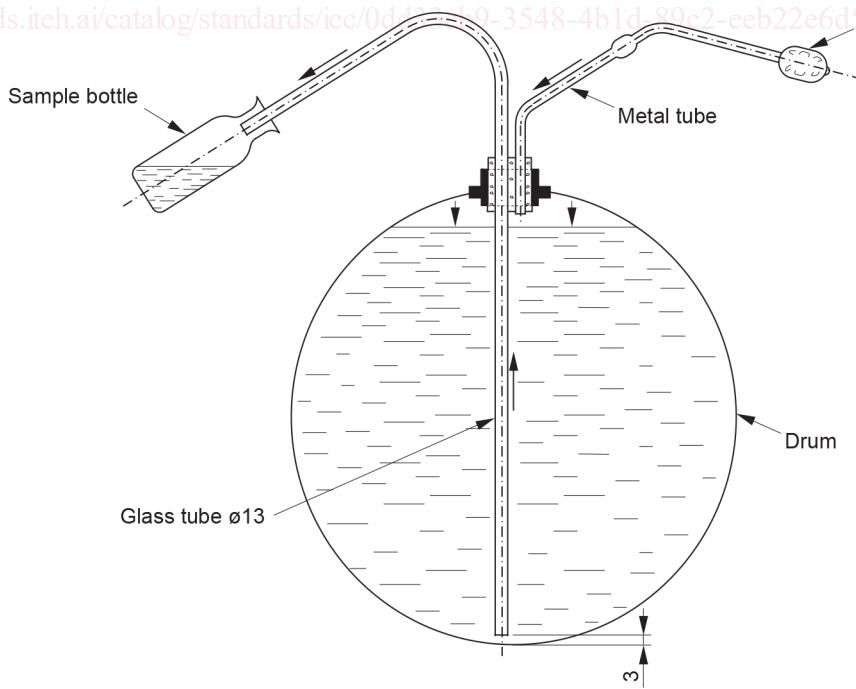


Figure 4 – Siphon

IEC

4.1.3.3 Sample containers

For storing and transporting samples, depending on the oil test to be performed, sample containers of appropriate volume shall be used. Different types of sample containers are indicated in 4.2.1.5.

For the mixing of different samples, a special sample container made of glass with a capacity of at least 6 l shall be used. These special sample containers shall be closed in a manner that allows them to be sealed, by means of oil-resistant plastic or compatible rubber tubing or screw caps equipped with a polytetrafluoroethylene (PTFE) lining. Natural rubber tubing and/or seals are not permitted. PTFE and polypropylene (PP) seals are acceptable.

Each sample container shall have a label on which are marked all the indications necessary to identify the contents, i.e. the markings of the drums or tanks, date of sampling and the name of the recipient.

4.1.3.4 Cleaning of sampling equipment

Sampling equipment shall be cleaned following the procedures described in 4.2.1.6.

4.1.4 Sampling procedure

4.1.4.1 General remarks

According to general principles for sampling (see 4.1.1), samples of new insulating liquid shall be taken from the bottom of the delivery container, where the contamination is likely to be the greatest. But in certain cases, an average sample is also of interest.

NOTE 1 To obtain an average sample, samples are taken at intermediate levels in tanks or drums. Examples of procedures are given in Annex A. A procedure is indicated in the NOTE in 4.1.4.2 a) for obtaining the equivalent of an average sample.

In Table 1 different cases are considered:

Table 1 – Types of samples of new insulating liquids

Type of delivery	Recommended sampling	Equipment to be used	Procedure	Recommended quantity
Drums	Composite	} Pipette (Figure 3) or Siphon (Figure 4)	4.1.4.2	3 × 2 l
	Individual		4.1.4.2	
Tankers	Individual	} Thief dipper (Figure 1) or None (valve)	4.1.4.1 b)	3 × 2 l
			4.1.4.1 a)	
Drums	Average	} Pipette or Siphon (Figure 3 and Figure 4)	} Annex A	} 3 × 2 l
Tankers	Average			

NOTE 2 Before sampling from tankers, sufficient oil ~~should be~~ is pumped from the end of the delivery pipe, as ~~required by~~ indicated in 4.1.4.2.

Every precaution shall be taken during sampling in order to avoid contamination of the insulating liquids. Outdoor sampling of insulating liquids in rain, fog or high wind is only permitted if all precautions have been taken to avoid contamination of the liquid. In this special case, the use of a cover is necessary.

Condensation shall be avoided by warming the sampling equipment so as to be above the ambient air temperature. Before use, the equipment shall be rinsed with the liquid being sampled. The operator shall be warned not to ~~permit his~~ let their hands ~~to~~ come into contact with the surfaces of sampling equipment subsequently in contact with the oil. The insulating liquids shall be protected against light irradiation during transportation and storage.

On arrival at the laboratory, the sampling container shall not be opened immediately. It is necessary to wait until the temperature of the sample is the same as the room temperature.

4.1.4.2 Sampling from tankers

Insulating liquids may be sampled either through the tank outlet or by a thief dipper or by a cream dipper.

a) Sampling through the tank outlet

By this procedure, it is possible to obtain a sample representative of the bottom of the tank after the tank has been allowed to stand for at least 1 h after the vehicle has arrived.

NOTE It may be possible, by this procedure, to obtain the equivalent of an average sample, if the sampling is done directly after the vehicle has arrived.

In this case, the sampling procedure shall be as follows:

- remove the outlet valve shield, if fitted;
- remove all visible dirt and dust from the valve by means of lint-free clean cloths or oil-resistant synthetic sponges;
- the outlet system (pump, delivery pipe), if incorporated, shall be started or opened as appropriate in order to get a sample;
- open the valve and allow to flow, slowly, at least 10 l of insulating liquid into a waste oil container. In any case, discard at least an amount of oil equivalent to the volume of the pipe;
- rinse sampling bottles with the insulating liquid;
- fill sampling bottles at constant flow to avoid turbulence.

b) Sampling with a thief dipper or a cream dipper

This sampling should be carried out after the tank has been allowed to stand for at least 1 h after the vehicle has arrived.

1) Procedure with the thief dipper (Figure 1) (bottom samples)

For taking bottom samples (i.e. within 1 cm to 2 cm from the bottom of the tank) the dipper is lowered until the projecting stem of the valve rod strikes the bottom of the tank. The dipper then fills. Filling is complete when no more air bubbles escape. The dipper is then withdrawn and its contents poured into the sample container (in the case of an individual sample) or into the special glass sample container for collecting and mixing the various samples taken (in the case of a composite sample). In this latter case, the sample container(s) is (are) filled with the mixture so obtained. During pouring of the liquid, avoid forming air bubbles by pouring too quickly.

2) Procedure with the cream dipper (Figure 2) (top samples)

With the valve closed, fill the cream dipper by slowly immersing it in the liquid to be sampled until the rim is just below the surface of the liquid so that it will flow slowly into the dipper. Discard the first filling. Refill the dipper as above and transfer the sample to the sample container by allowing it to flow from the bottom orifice against the side of the sample container and not in a stream into the bottom of the sample container. Repeat the operation until sufficient liquid is obtained to fill the sample container (individual sample) or the special glass sample container used for mixing samples depending on the type of sample to be obtained.