

INTERNATIONAL STANDARD

NORME INTERNATIONALE

AMENDMENT 2
AMENDEMENT 2

Appliance couplers for household and similar general purposes –
Part 3: Standard sheets and gauges

Connecteurs pour usages domestiques et usages généraux analogues –
Partie 3: Feuilles de norme et calibres

<https://standards.iteh.ai/catalog/standards/sist/9a0a0b64-8169-4288-bb63-7e838d1bdb08/iec-60320-3-2014-amd2-2022>



THIS PUBLICATION IS COPYRIGHT PROTECTED

Copyright © 2022 IEC, Geneva, Switzerland

All rights reserved. Unless otherwise specified, no part of this publication may be reproduced or utilized in any form or by any means, electronic or mechanical, including photocopying and microfilm, without permission in writing from either IEC or IEC's member National Committee in the country of the requester. If you have any questions about IEC copyright or have an enquiry about obtaining additional rights to this publication, please contact the address below or your local IEC member National Committee for further information.

Droits de reproduction réservés. Sauf indication contraire, aucune partie de cette publication ne peut être reproduite ni utilisée sous quelque forme que ce soit et par aucun procédé, électronique ou mécanique, y compris la photocopie et les microfilms, sans l'accord écrit de l'IEC ou du Comité national de l'IEC du pays du demandeur. Si vous avez des questions sur le copyright de l'IEC ou si vous désirez obtenir des droits supplémentaires sur cette publication, utilisez les coordonnées ci-après ou contactez le Comité national de l'IEC de votre pays de résidence.

IEC Secretariat
3, rue de Varembe
CH-1211 Geneva 20
Switzerland

Tel.: +41 22 919 02 11
info@iec.ch
www.iec.ch

About the IEC

The International Electrotechnical Commission (IEC) is the leading global organization that prepares and publishes International Standards for all electrical, electronic and related technologies.

About IEC publications

The technical content of IEC publications is kept under constant review by the IEC. Please make sure that you have the latest edition, a corrigendum or an amendment might have been published.

IEC publications search - webstore.iec.ch/advsearchform

The advanced search enables to find IEC publications by a variety of criteria (reference number, text, technical committee, ...). It also gives information on projects, replaced and withdrawn publications.

IEC Just Published - webstore.iec.ch/justpublished

Stay up to date on all new IEC publications. Just Published details all new publications released. Available online and once a month by email.

IEC Customer Service Centre - webstore.iec.ch/csc

If you wish to give us your feedback on this publication or need further assistance, please contact the Customer Service Centre: sales@iec.ch.

IEC Products & Services Portal - products.iec.ch

Discover our powerful search engine and read freely all the publications previews. With a subscription you will always have access to up to date content tailored to your needs.

Electropedia - www.electropedia.org

The world's leading online dictionary on electrotechnology, containing more than 22 300 terminological entries in English and French, with equivalent terms in 19 additional languages. Also known as the International Electrotechnical Vocabulary (IEV) online.

A propos de l'IEC

La Commission Electrotechnique Internationale (IEC) est la première organisation mondiale qui élabore et publie des Normes internationales pour tout ce qui a trait à l'électricité, à l'électronique et aux technologies apparentées.

A propos des publications IEC

Le contenu technique des publications IEC est constamment revu. Veuillez vous assurer que vous possédez l'édition la plus récente, un corrigendum ou amendement peut avoir été publié.

Recherche de publications IEC -

webstore.iec.ch/advsearchform

La recherche avancée permet de trouver des publications IEC en utilisant différents critères (numéro de référence, texte, comité d'études, ...). Elle donne aussi des informations sur les projets et les publications remplacées ou retirées.

IEC Just Published - webstore.iec.ch/justpublished

Restez informé sur les nouvelles publications IEC. Just Published détaille les nouvelles publications parues. Disponible en ligne et une fois par mois par email.

Service Clients - webstore.iec.ch/csc

Si vous désirez nous donner des commentaires sur cette publication ou si vous avez des questions contactez-nous: sales@iec.ch.

IEC Products & Services Portal - products.iec.ch

Découvrez notre puissant moteur de recherche et consultez gratuitement tous les aperçus des publications. Avec un abonnement, vous aurez toujours accès à un contenu à jour adapté à vos besoins.

Electropedia - www.electropedia.org

Le premier dictionnaire d'électrotechnologie en ligne au monde, avec plus de 22 300 articles terminologiques en anglais et en français, ainsi que les termes équivalents dans 19 langues additionnelles. Egalement appelé Vocabulaire Electrotechnique International (IEV) en ligne.

INTERNATIONAL STANDARD

NORME INTERNATIONALE

AMENDMENT 2
AMENDEMENT 2

Appliance couplers for household and similar general purposes –
Part 3: Standard sheets and gauges

Connecteurs pour usages domestiques et usages généraux analogues –
Partie 3: Feuilles de norme et calibres

<https://standards.iteh.ai/catalog/standards/sist/9a0a0b64-8169-4288-bb63-7e838d1bdb08/iec-60320-3-2014-amd2-2022>

INTERNATIONAL
ELECTROTECHNICAL
COMMISSION

COMMISSION
ELECTROTECHNIQUE
INTERNATIONALE

ICS 29.120.30

ISBN 978-2-8322-5774-6

**Warning! Make sure that you obtained this publication from an authorized distributor.
Attention! Veuillez vous assurer que vous avez obtenu cette publication via un distributeur agréé.**

INTERNATIONAL ELECTROTECHNICAL COMMISSION

**APPLIANCE COUPLERS FOR HOUSEHOLD
AND SIMILAR GENERAL PURPOSES –****Part 3: Standard sheets and gauges****AMENDMENT 2****FOREWORD**

- 1) The International Electrotechnical Commission (IEC) is a worldwide organization for standardization comprising all national electrotechnical committees (IEC National Committees). The object of IEC is to promote international co-operation on all questions concerning standardization in the electrical and electronic fields. To this end and in addition to other activities, IEC publishes International Standards, Technical Specifications, Technical Reports, Publicly Available Specifications (PAS) and Guides (hereafter referred to as "IEC Publication(s)"). Their preparation is entrusted to technical committees; any IEC National Committee interested in the subject dealt with may participate in this preparatory work. International, governmental and non-governmental organizations liaising with the IEC also participate in this preparation. IEC collaborates closely with the International Organization for Standardization (ISO) in accordance with conditions determined by agreement between the two organizations.
- 2) The formal decisions or agreements of IEC on technical matters express, as nearly as possible, an international consensus of opinion on the relevant subjects since each technical committee has representation from all interested IEC National Committees.
- 3) IEC Publications have the form of recommendations for international use and are accepted by IEC National Committees in that sense. While all reasonable efforts are made to ensure that the technical content of IEC Publications is accurate, IEC cannot be held responsible for the way in which they are used or for any misinterpretation by any end user.
- 4) In order to promote international uniformity, IEC National Committees undertake to apply IEC Publications transparently to the maximum extent possible in their national and regional publications. Any divergence between any IEC Publication and the corresponding national or regional publication shall be clearly indicated in the latter.
- 5) IEC itself does not provide any attestation of conformity. Independent certification bodies provide conformity assessment services and, in some areas, access to IEC marks of conformity. IEC is not responsible for any services carried out by independent certification bodies.
- 6) All users should ensure that they have the latest edition of this publication.
- 7) No liability shall attach to IEC or its directors, employees, servants or agents including individual experts and members of its technical committees and IEC National Committees for any personal injury, property damage or other damage of any nature whatsoever, whether direct or indirect, or for costs (including legal fees) and expenses arising out of the publication, use of, or reliance upon, this IEC Publication or any other IEC Publications.
- 8) Attention is drawn to the Normative references cited in this publication. Use of the referenced publications is indispensable for the correct application of this publication.
- 9) Attention is drawn to the possibility that some of the elements of this document may be the subject of patent rights. IEC shall not be held responsible for identifying any or all such patent rights.

Amendment 2 to IEC 60320-3:2014 has been prepared by subcommittee 23G: Appliance couplers, of IEC technical committee 23: Electrical accessories.

The text of this Amendment is based on the following documents:

Draft	Report on voting
23G/476/FDIS	23G/478/RVD

Full information on the voting for its approval can be found in the report on voting indicated in the above table.

The language used for the development of this Amendment is English.

This document was drafted in accordance with ISO/IEC Directives, Part 2, and developed in accordance with ISO/IEC Directives, Part 1 and ISO/IEC Directives, IEC Supplement, available at www.iec.ch/members_experts/refdocs. The main document types developed by IEC are described in greater detail at www.iec.ch/publications/.

The committee has decided that the contents of this document will remain unchanged until the stability date indicated on the IEC website under webstore.iec.ch in the data related to the specific document. At this date, the document will be

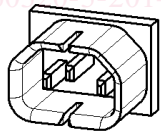
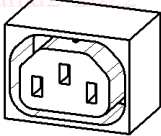
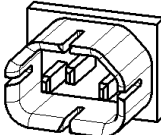
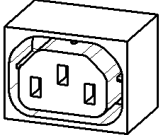
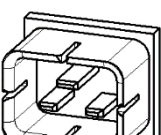
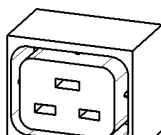
- reconfirmed,
- withdrawn,
- replaced by a revised edition, or
- amended.

4 General requirements

Add the following sentence at the start of the clause:

Table A.1 and Table A.2 of Annex A give an overview of combinations of connectors and appliance inlets, and combinations of appliance outlets and plug connectors, respectively.

Add, in Table 2, the following rows, as additional new rows 5 to 7 (counting of rows excludes the column heading row):

10	I	120	 M	 N	Yes	60245 IEC 53 or 60245 IEC 89	0,75 °C
10	I	155	 O	 P	Yes	60245 IEC 53 or 60245 IEC 89	0,75 °C
16	I	155	 Q	 R	Yes	60245 IEC 53 or 60245 IEC 89	1 °C

Add the following new standard sheets after the existing standard sheet L:

Standard sheet M

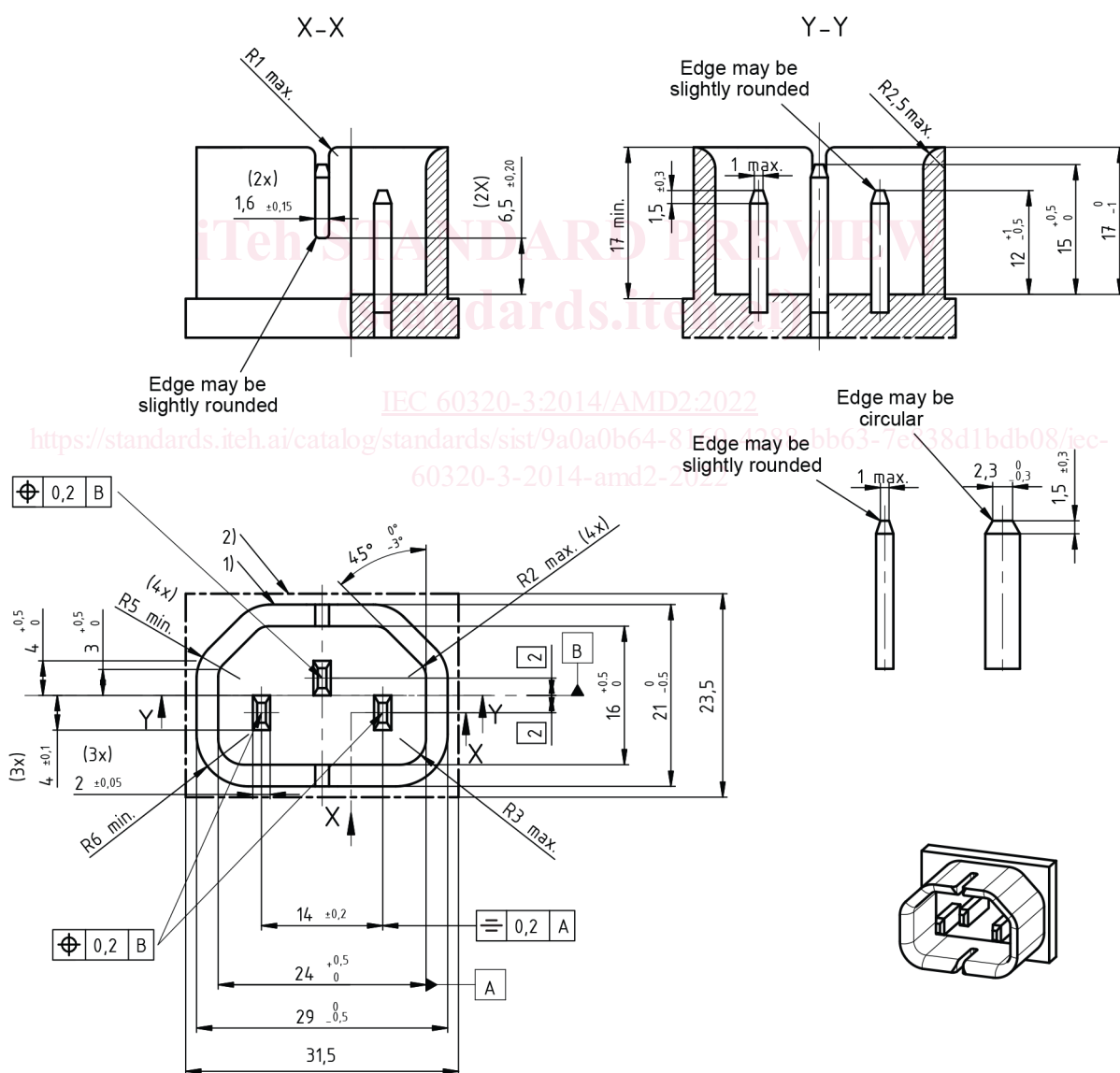
Plug connector for 10 A / 250 V for use in class I equipment in hot conditions

The outline 1) of the front part shall not be exceeded or decreased, at any point, within a distance of 17 mm from the engagement face.

The outline 2) of the rear part shall not be exceeded in any section perpendicular to the axis of the plug connector, except that, for plug connectors with lateral cord entry and for those combined with other accessories, this limitation does not apply in the direction of the axis of the cord or of the actuating member.

The sketches are not intended to govern design except as regards the dimensions shown.

Dimensions in millimetres



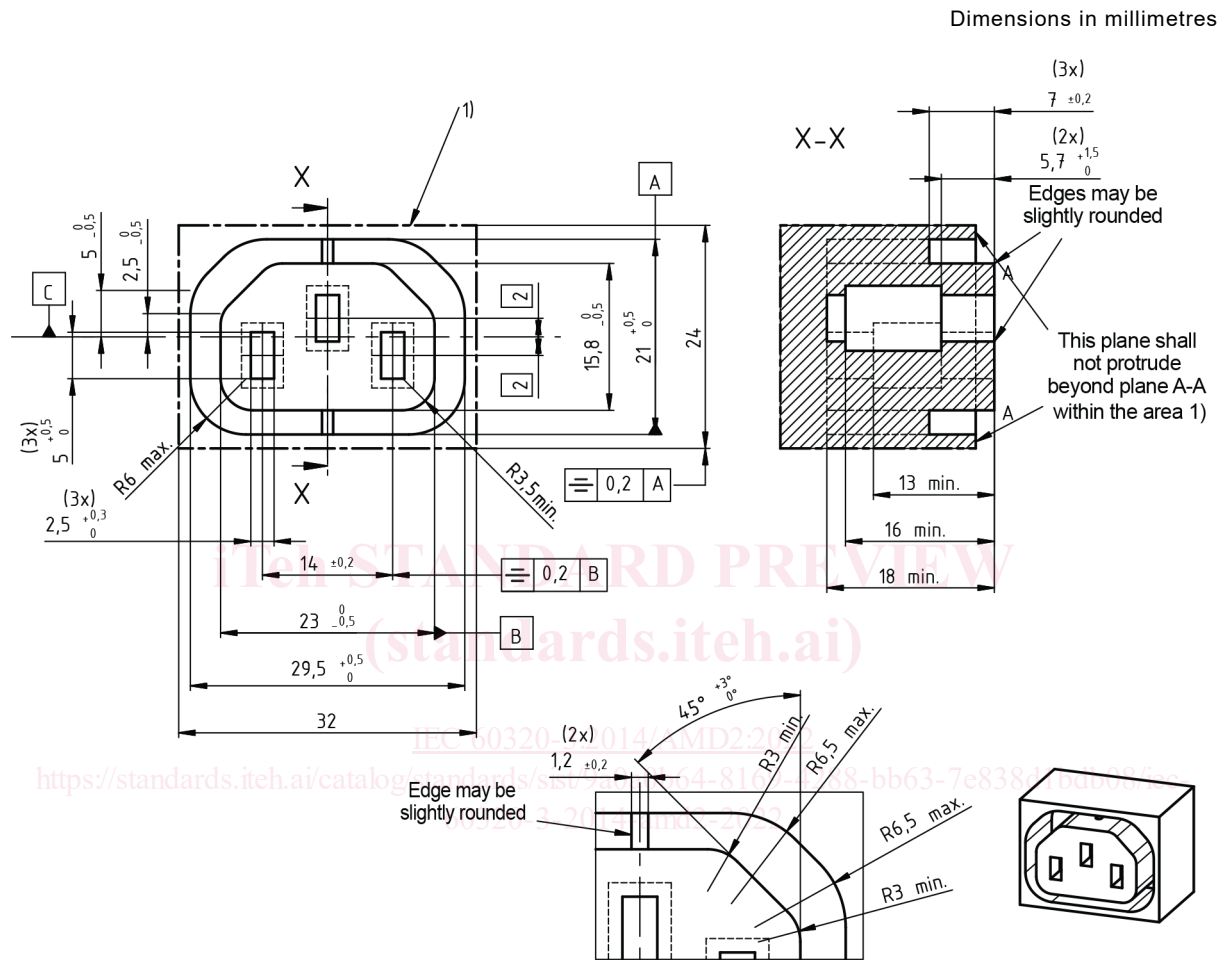
IEC

NOTE The sketches are not intended to govern design, except as regards the dimensions shown. Dimensions without tolerances are only recommendations.

Standard sheet N

Appliance outlet 10 A / 250 V for class I equipment in hot conditions

The sketches are not intended to govern design except as regards the dimensions shown.



NOTE The sketches are not intended to govern design, except as regards the dimensions shown. Dimensions without tolerances are only recommendations.

Standard sheet O

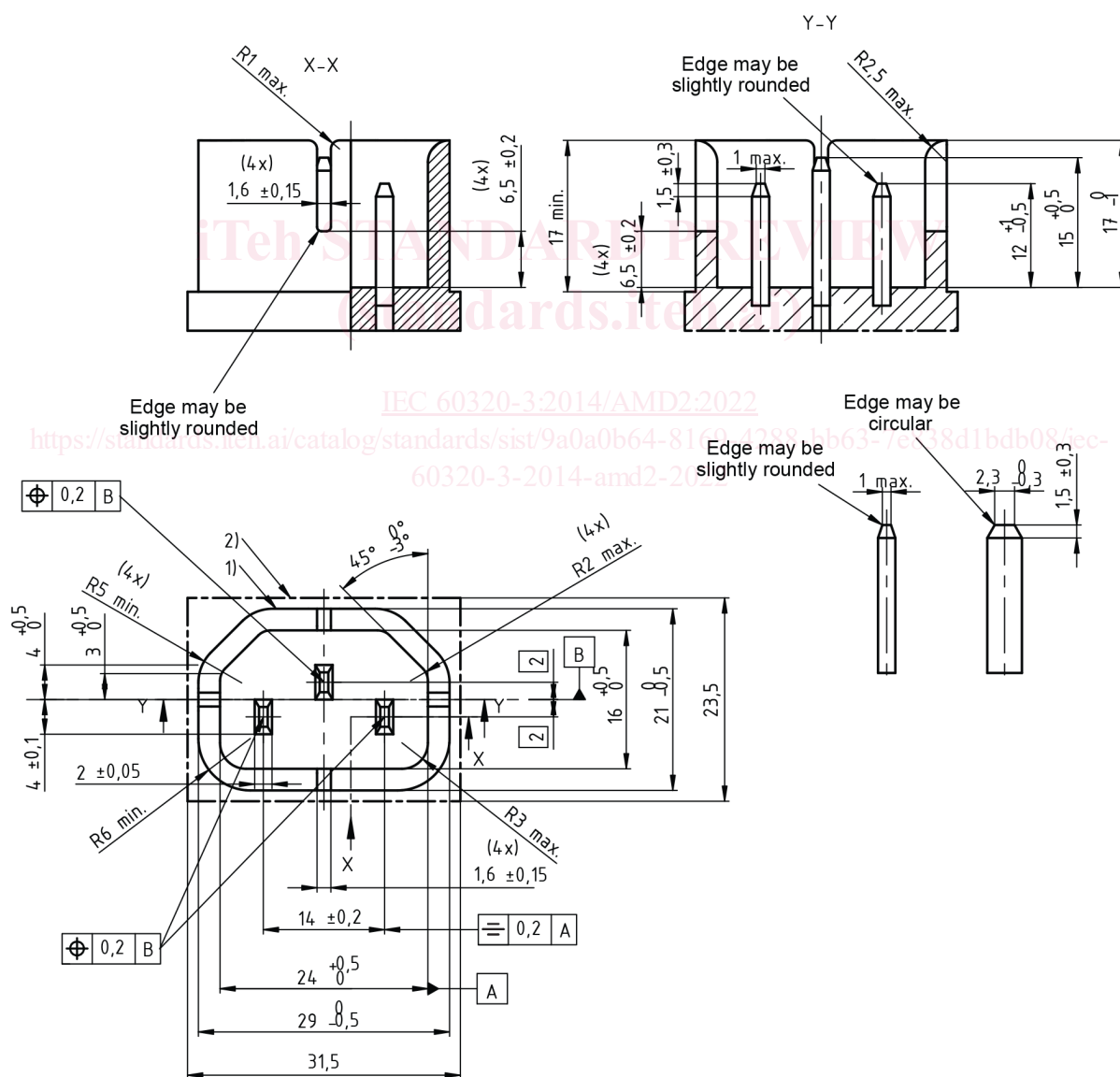
Plug connector for 10 A / 250 V for use in class I equipment in very hot conditions

The outline 1) of the front part shall not be exceeded or decreased, at any point, within a distance of 17 mm from the engagement face.

The outline 2) of the rear part shall not be exceeded in any section perpendicular to the axis of the plug connector, except that, for plug connectors with lateral cord entry and for those combined with other accessories, this limitation does not apply in the direction of the axis of the cord or of the actuating member.

The sketches are not intended to govern design except as regards the dimensions shown.

Dimensions in millimetres



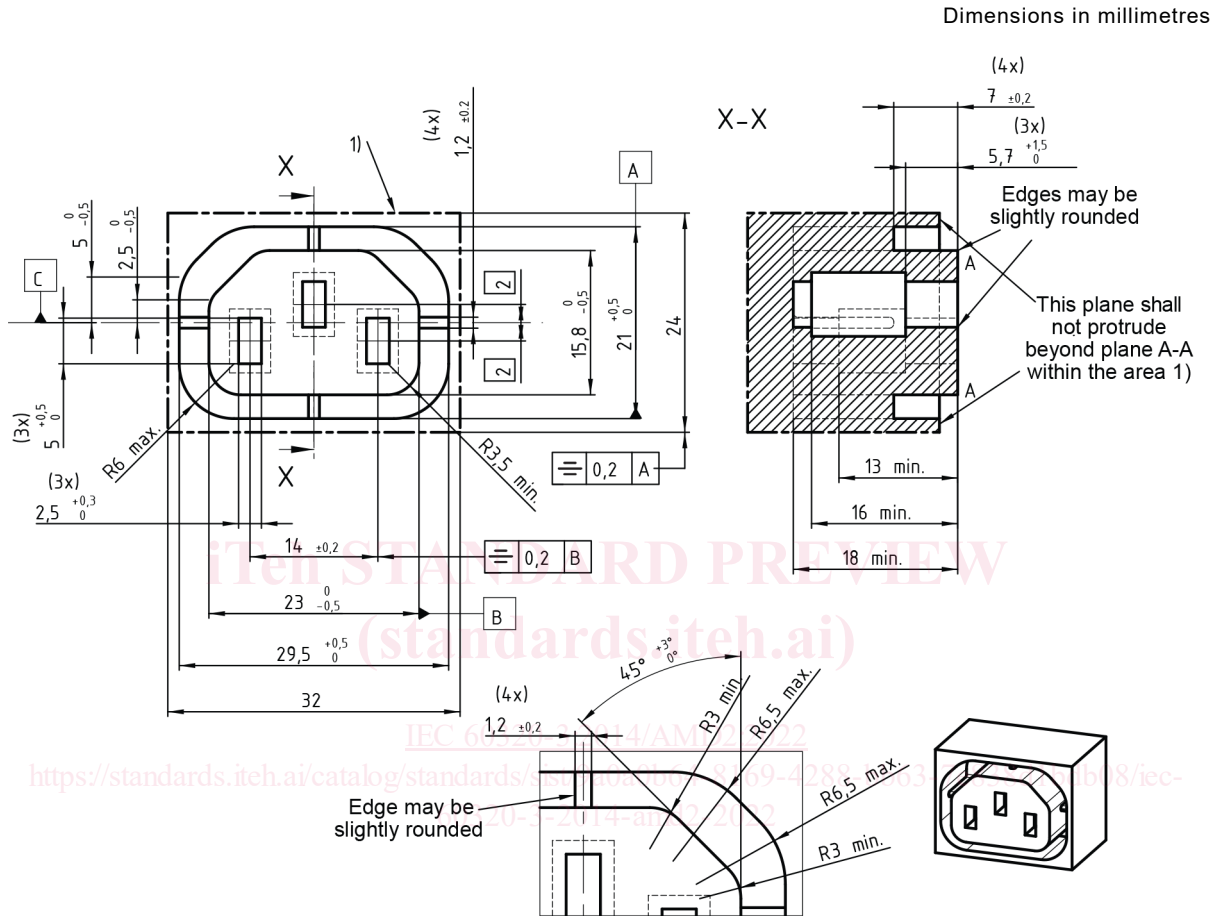
IEC

NOTE The sketches are not intended to govern design, except as regards the dimensions shown. Dimensions without tolerances are only recommendations.

Standard sheet P

Appliance outlet 10 A / 250 V for class I equipment in very hot conditions

The sketches are not intended to govern design except as regards the dimensions shown.



IEC

NOTE The sketches are not intended to govern design, except as regards the dimensions shown. Dimensions without tolerances are only recommendations.

Standard sheet Q

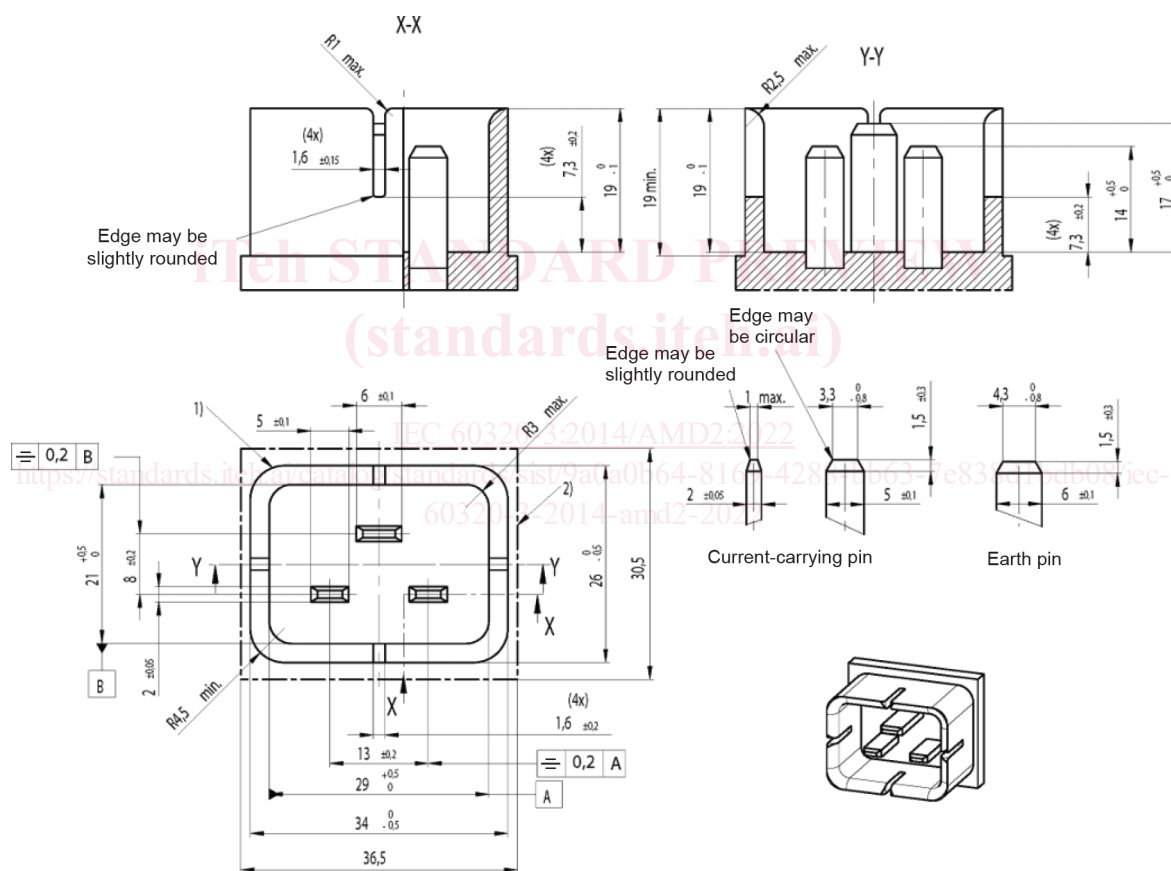
Plug connector for 16 A / 250 V for use in class I equipment in very hot conditions

The outline 1) of the front part shall not be exceeded or decreased, at any point, within a distance of 19 mm from the engagement face.

The outline 2) of the rear part shall not be exceeded in any section perpendicular to the axis of the plug connector, except that, for plug connectors with lateral cord entry and for those combined with other accessories, this limitation does not apply in the direction of the axis of the cord or of the actuating member.

The sketches are not intended to govern design except as regards the dimensions shown.

Dimensions in millimetres



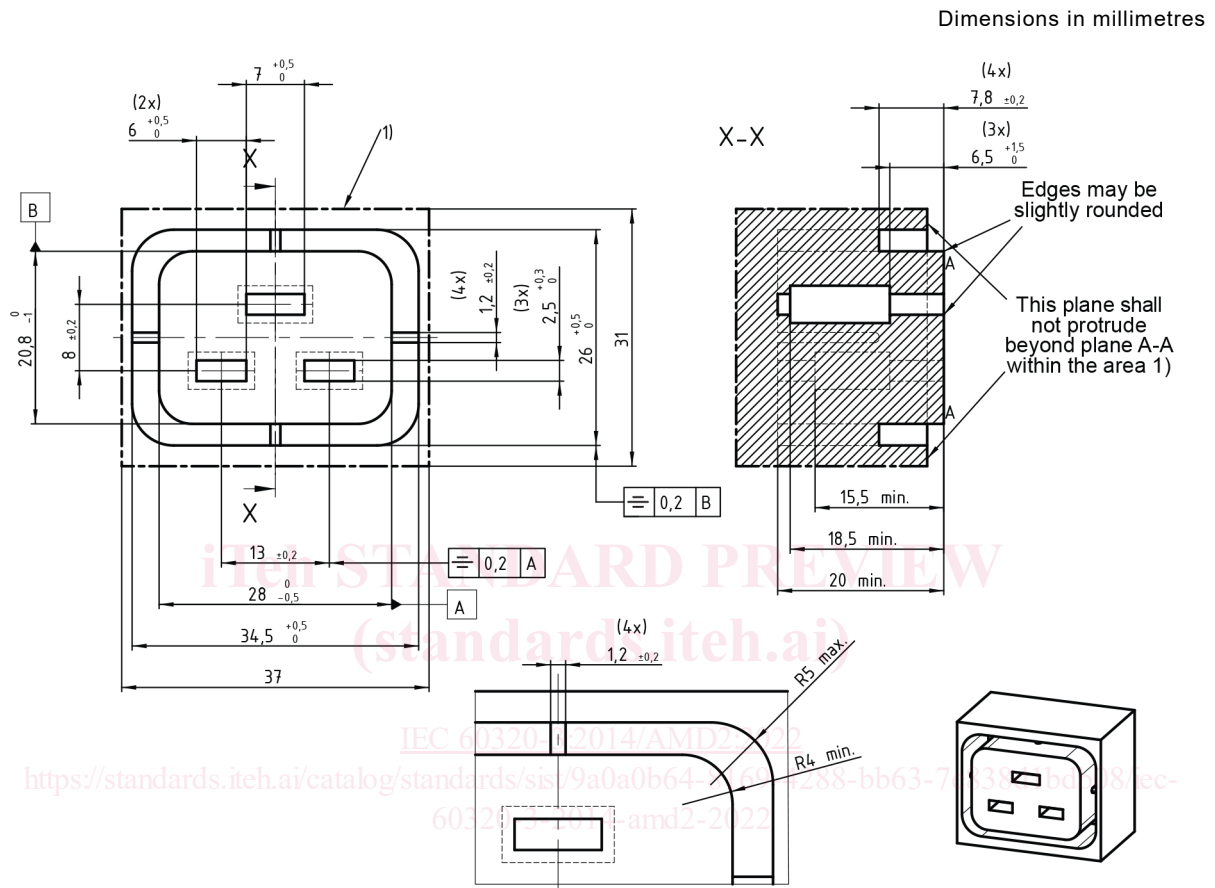
IEC

NOTE The sketches are not intended to govern design, except as regards the dimensions shown. Dimensions without tolerances are only recommendations.

Standard sheet R

Appliance outlet 16 A / 250 V for class I equipment in very hot conditions

The sketches are not intended to govern design except as regards the dimensions shown.



NOTE The sketches are not intended to govern design, except as regards the dimensions shown. Dimensions without tolerances are only recommendations.

Add the following new Annex A.

Annex A – Compatibility (informative)