



**International  
Standard**

**ISO 5363**

**Robotics — Test methods for  
exoskeleton-type walking RACA robot**

*Robotique — Méthodes d'essai du robot ambulant RACA de type  
exosquelette*

**First edition  
2024-04**

iTeh Standards  
(<https://standards.iteh.ai>)  
Document Preview

[ISO 5363:2024](https://standards.iteh.ai/catalog/standards/iec/0a877ae4-862c-4bd1-b760-b1946b87733d/iso-5363-2024)

<https://standards.iteh.ai/catalog/standards/iec/0a877ae4-862c-4bd1-b760-b1946b87733d/iso-5363-2024>

iTeh Standards  
(<https://standards.iteh.ai>)  
Document Preview

[ISO 5363:2024](https://standards.iteh.ai/catalog/standards/iec/0a877ae4-862c-4bd1-b760-b1946b87733d/iso-5363-2024)

<https://standards.iteh.ai/catalog/standards/iec/0a877ae4-862c-4bd1-b760-b1946b87733d/iso-5363-2024>



**COPYRIGHT PROTECTED DOCUMENT**

© ISO 2024

All rights reserved. Unless otherwise specified, or required in the context of its implementation, no part of this publication may be reproduced or utilized otherwise in any form or by any means, electronic or mechanical, including photocopying, or posting on the internet or an intranet, without prior written permission. Permission can be requested from either ISO at the address below or ISO's member body in the country of the requester.

ISO copyright office  
CP 401 • Ch. de Blandonnet 8  
CH-1214 Vernier, Geneva  
Phone: +41 22 749 01 11  
Email: [copyright@iso.org](mailto:copyright@iso.org)  
Website: [www.iso.org](http://www.iso.org)

Published in Switzerland

# Contents

	Page
<b>Foreword</b> .....	<b>iv</b>
<b>Introduction</b> .....	<b>v</b>
<b>1 Scope</b> .....	<b>1</b>
<b>2 Normative references</b> .....	<b>1</b>
<b>3 Terms and definitions</b> .....	<b>1</b>
<b>4 Test conditions</b> .....	<b>2</b>
4.1 General.....	2
4.2 Environmental conditions.....	2
4.3 Apparatus.....	2
4.3.1 Construction of test equipment.....	2
4.3.2 Treadmill.....	3
4.3.3 Test dummy.....	4
4.3.4 Test frame.....	4
4.3.5 Actuation module.....	5
4.4 Example of test setup.....	5
<b>5 Accuracy test of range of movement of each joint of walking RACA robot</b> .....	<b>6</b>
5.1 Purpose.....	6
5.2 Procedure.....	6
<b>6 Repeated durability test of actuated applied part</b> .....	<b>6</b>
6.1 Purpose.....	6
6.2 Procedure.....	7
<b>7 Repeated durability test of support system of walking RACA robot</b> .....	<b>7</b>
7.1 Purpose.....	7
7.2 Procedure.....	7
<b>8 Test report</b> .....	<b>8</b>
<b>Annex A (informative) Theoretical background of the repeated durability test of support systems of walking RACA robot</b> .....	<b>10</b>
<b>Annex B (Informative) Horizontal test set up for the repeated durability test of support systems of walking RACA robot</b> .....	<b>12</b>
<b>Bibliography</b> .....	<b>14</b>

## Foreword

ISO (the International Organization for Standardization) and IEC (the International Electrotechnical Commission) form the specialized system for worldwide standardization. National bodies that are members of ISO or IEC participate in the development of International Standards through technical committees established by the respective organization to deal with particular fields of technical activity. ISO and IEC technical committees collaborate in fields of mutual interest. Other international organizations, governmental and non-governmental, in liaison with ISO and IEC, also take part in the work.

The procedures used to develop this document and those intended for its further maintenance are described in the ISO/IEC Directives, Part 1. In particular, the different approval criteria needed for the different types of document should be noted. This document was drafted in accordance with the editorial rules of the ISO/IEC Directives, Part 2 (see [www.iso.org/directives](http://www.iso.org/directives) or [www.iec.ch/members\\_experts/refdocs](http://www.iec.ch/members_experts/refdocs)).

ISO and IEC draw attention to the possibility that the implementation of this document may involve the use of (a) patent(s). ISO and IEC take no position concerning the evidence, validity or applicability of any claimed patent rights in respect thereof. As of the date of publication of this document, ISO and IEC had received notice of (a) patent(s) which may be required to implement this document. However, implementers are cautioned that this may not represent the latest information, which may be obtained from the patent database available at [www.iso.org/patents](http://www.iso.org/patents) and <https://patents.iec.ch>. ISO and IEC shall not be held responsible for identifying any or all such patent rights.

Any trade name used in this document is information given for the convenience of users and does not constitute an endorsement.

For an explanation of the voluntary nature of standards, the meaning of ISO specific terms and expressions related to conformity assessment, as well as information about ISO's adherence to the World Trade Organization (WTO) principles in the Technical Barriers to Trade (TBT) see [www.iso.org/iso/foreword.html](http://www.iso.org/iso/foreword.html). In the IEC, see [www.iec.ch/understanding-standards](http://www.iec.ch/understanding-standards).

This document was prepared jointly by Technical Committee ISO/TC 299, *Robotics*, and Technical Committee IEC/TC 62, *Medical equipment, software, and systems*, Subcommittee SC 62A, *Common aspects of medical equipment, software, and systems* and Subcommittee SC 62D, *Particular medical equipment, software, and systems*.

ISO 5363:2024

Any feedback or questions on this document should be directed to the user's national standards body. A complete listing of these bodies can be found at [www.iso.org/members.html](http://www.iso.org/members.html) and [www.iec.ch/national-committees](http://www.iec.ch/national-committees).

## Introduction

When IEC 80601-2-78:2019 was published there were no specific test methods to verify the conformity with the standard. This document was developed to supplement IEC 80601-2-78:2019 by specifying test methods to evaluate powered exoskeleton-type walking RACA robots.

iTeh Standards  
(<https://standards.iteh.ai>)  
Document Preview

[ISO 5363:2024](https://standards.iteh.ai/catalog/standards/iec/0a877ae4-862c-4bd1-b760-b1946b87733d/iso-5363-2024)

<https://standards.iteh.ai/catalog/standards/iec/0a877ae4-862c-4bd1-b760-b1946b87733d/iso-5363-2024>



# Robotics — Test methods for exoskeleton-type walking RACA robot

## 1 Scope

This document specifies test methods for the exoskeleton-type walking RACA robot used as medical electrical equipment which is intended to move from one location to another, by making reciprocating motion having intermittent contact with the travel surface.

This document does not apply to passive or non-powered exoskeletons.

NOTE These tests can be used to verify conformity with the requirements of IEC 80601-2-78.

## 2 Normative references

The following documents are referred to in the text in such a way that some or all of their content constitutes requirements of this document. For dated references, only the edition cited applies. For undated references, the latest edition of the referenced document (including any amendments) applies.

IEC 60601-1:2005+AMD1:2012+AMD2:2020, *Medical electrical equipment — Part 1: General requirements for basic safety and essential performance*

## 3 Terms and definitions

For the purposes of this document, the terms and definitions given in IEC 60601-1 and the following apply.

ISO and IEC maintain terminology databases for use in standardization at the following addresses:

- ISO Online browsing platform: available at <https://www.iso.org/obp>
- IEC Electropedia: available at <https://www.electropedia.org/>

### 3.1

#### **actuated applied part**

subcategory of applied part that is intended to provide actively controlled physical interactions with the patient that are related to the patient's movement functions, to perform a clinical function of a RACA robot

[SOURCE: IEC 80601-2-78:2019, 201.3.201]

### 3.2

#### **medical robot**

robot intended to be used as medical electrical equipment or medical electrical system

[SOURCE: IEC/TR 60601-4-1:2017, 3.20]

### 3.3

#### **RACA robot**

#### **rehabilitation, assessment, compensation and alleviation robot**

medical robot intended by its manufacturer to perform rehabilitation, assessment, compensation or alleviation comprising an actuated applied part

[SOURCE: IEC 80601-2-78:2019, 201.3.212]

### 3.4

#### **robot**

programmed actuated mechanism with a degree of autonomy to perform locomotion, manipulation or positioning

[SOURCE: ISO 8373:2021, 3.1]

### 3.5

#### **walking**

mobile equipment that, once installed and placed into service, is intended to move from one location to another, by making reciprocating motion having intermittent contact with the travel surface and the RACA robot

[SOURCE: IEC 80601-2-78:2019, 201.3.215]

## 4 Test conditions

### 4.1 General

The exoskeleton-type walking RACA robot shall be completely assembled, fully charged and operational. It should also be ensured that the robot operates in a safe manner throughout the test.

The tests shall be preceded by the preparations for operation as specified by the manufacturer.

### 4.2 Environmental conditions

The following environmental conditions shall be maintained during all tests.

- Ambient temperature: 5 °C to 40 °C
- Relative humidity: 15 % to 90 %

If the environmental conditions specified by the manufacturer are outside the given conditions, then this shall be declared in the test results.

### 4.3 Apparatus

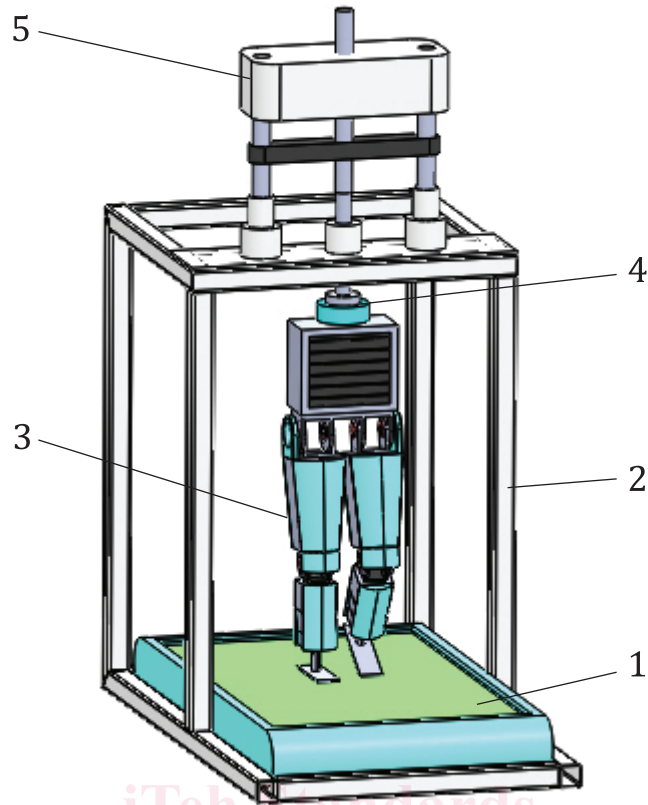
#### 4.3.1 Construction of test equipment

The test apparatus consists of the following parts (see [Figure 1](#)):

- force sensor to measure floor reaction force;
- actuation module to vertically move the dummy with position control, speed control and force control;
- treadmill to simulate the reciprocating motion;
- test dummy to be attached with RACA robot.

Walking RACA robot shall be installed into the test apparatus.





**Key**

- 1 treadmill
- 2 test frame
- 3 test dummy
- 4 force sensor
- 5 actuation module

iTeh Standards  
(<https://standards.itih.ai>)  
Document Preview

[ISO 5363:2024](https://standards.itih.ai/catalog/standards/iec/0a877ae4-862c-4bd1-b760-b1946b87733d/iso-5363-2024)

<https://standards.itih.ai/catalog/standards/iec/0a877ae4-862c-4bd1-b760-b1946b87733d/iso-5363-2024>

**Figure 1 — Construction of test equipment**

**4.3.2 Treadmill**

**4.3.2.1 Belt speed**

The belt speed shall have an accuracy specified by treadmill manufacturer. The belt speed should be able to be controlled in conjunction with the vertical movement of the actuation module.

When the belt speed needs to be controlled by interfacing with the exoskeleton-type walking RACA robot, it should have an input/output terminal of a signal that can be synchronized with the exoskeleton-type walking RACA robot.

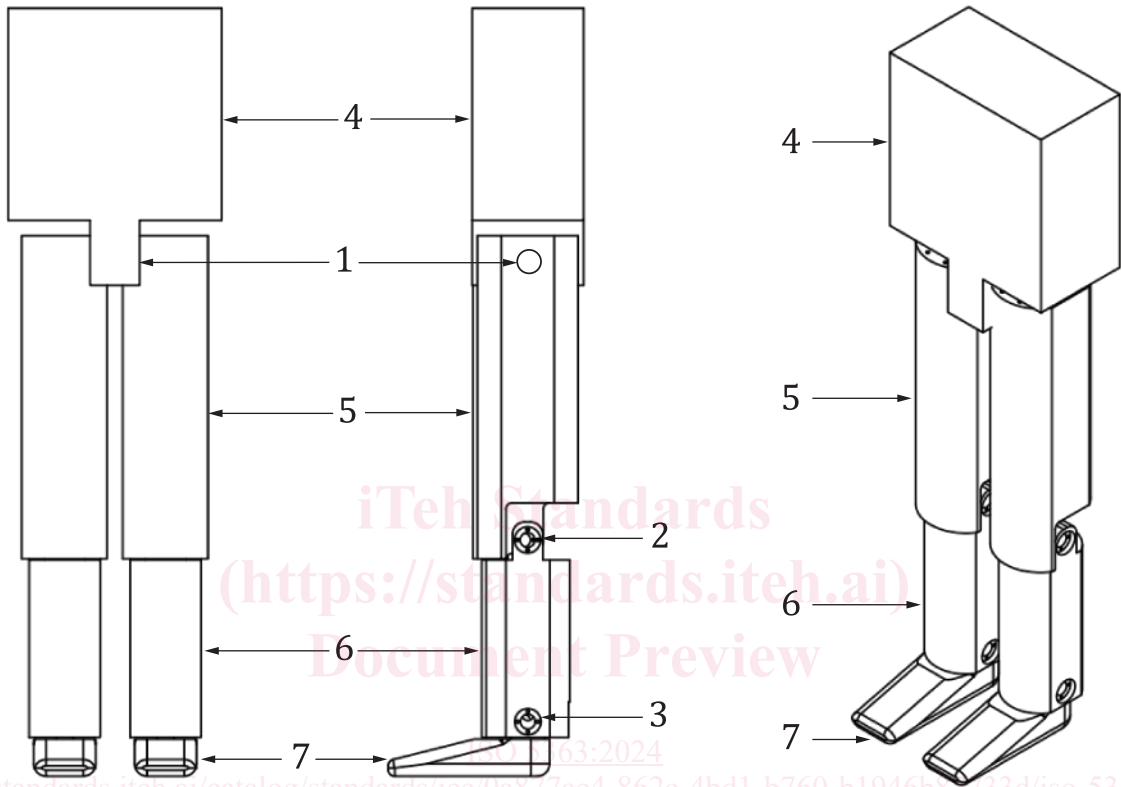
**4.3.2.2 Permissible load**

The treadmill shall endure the permissible load throughout the test. The permissible load shall be the sum of the maximum allowable patient mass plus mass of robot and mass of accessories as specified by manufacturer’s accompanying documents.

4.3.3 Test dummy

The test dummy shall be specified by manufacturer or designed with reference to the distribution of the length and mass of the body segment of IEC 60601-1:2005+AMD1:2012+AMD2:2020, Figure A.19 or the ISO 7250 series.

Figure 2 shows an example of the structure of a test dummy required for the testing of an exoskeleton-type walking RACA robot. The test dummy is a passive type dummy having movable hip, knee, and ankle joints which are coupled by pin or screw joint to allow gait motion. The ankle joints can be either movable or fixed depending on the specification of the robot.



- Key**
- 1 hip joint
  - 2 knee joint
  - 3 ankle joint
  - 4 pelvis and upper body
  - 5 thigh
  - 6 shin
  - 7 foot

Figure 2 — Example of structure of test dummy

4.3.4 Test frame

The test frame shall have a rigid structure with sufficient strength to attach or mount the test dummy and the actuation module that lifts the dummy up and down. The test frame shall be fixed on the floor. The test frame shall have sufficient height so that the treadmill can be applied to the bottom of ROBOT while the test dummy is attached. Figure 3 is an example of the structure and dimensions of the test frame.