



SLOVENSKI STANDARD SIST ISO 4552-1:2000

01-april-2000

: Yfcn`h]bY!'Jncf Yb^Y]b'df]dfUj Uj ncfWj `nU_Ya]'g_c'UbU]nc'!'%'XY'!': Yfc_fca ž
Zyfcg]]_c_fca žZyfcg]]W'žZyfcg]]_ca Ub[UbžZyfcga Ub[Ub

Ferrous alloys -- Sampling and sample preparation for chemical analysis -- Part 1:
Ferrochromium, ferrosilicochromium, ferrosilicon, ferrosilicomanganese, ferromanganese

iTeh STANDARD PREVIEW

Ferrous alloys -- Échantillonnage et préparation des échantillons pour analyse chimique -
- Partie 1: Ferro-chrome, ferro-silico-chrome, ferro-silicium, ferro-silico-manganèse, ferro-
manganèse

[SIST ISO 4552-1:2000](https://standards.iteh.ai/catalog/standards/sist/76fa1536-3f1b-41eb-9b6a-23e7333b667e/sist-iso-4552-1-2000)

[https://standards.iteh.ai/catalog/standards/sist/76fa1536-3f1b-41eb-9b6a-](https://standards.iteh.ai/catalog/standards/sist/76fa1536-3f1b-41eb-9b6a-23e7333b667e/sist-iso-4552-1-2000)

[23e7333b667e/sist-iso-4552-1-2000](https://standards.iteh.ai/catalog/standards/sist/76fa1536-3f1b-41eb-9b6a-23e7333b667e/sist-iso-4552-1-2000)

Ta slovenski standard je istoveten z: **ISO 4552-1:1987**

ICS:

77.100 Železove zlitine Ferrous alloys

SIST ISO 4552-1:2000 en

iTeh STANDARD PREVIEW
(standards.iteh.ai)

[SIST ISO 4552-1:2000](#)

<https://standards.iteh.ai/catalog/standards/sist/76fa1536-3f1b-41eb-9b6a-23e7333b667e/sist-iso-4552-1-2000>

INTERNATIONAL STANDARD

ISO
4552-1First edition
1987-12-15

INTERNATIONAL ORGANIZATION FOR STANDARDIZATION
ORGANISATION INTERNATIONALE DE NORMALISATION
МЕЖДУНАРОДНАЯ ОРГАНИЗАЦИЯ ПО СТАНДАРТИЗАЦИИ

**Ferrous alloys — Sampling and sample preparation for
chemical analysis —****Part 1:****Ferrochromium, ferrosilicochromium, ferrosilicon,
ferrosilicomanganese, ferromanganese**

*Ferro-alliages — Échantillonnage et préparation des échantillons pour analyse chimique —
Partie 1: Ferro-chrome, ferro-silico-chrome, ferro-silicium, ferro-silico-manganèse, ferro-
manganèse*

Foreword

ISO (the International Organization for Standardization) is a worldwide federation of national standards bodies (ISO member bodies). The work of preparing International Standards is normally carried out through ISO technical committees. Each member body interested in a subject for which a technical committee has been established has the right to be represented on that committee. International organizations, governmental and non-governmental, in liaison with ISO, also take part in the work.

Draft International Standards adopted by the technical committees are circulated to the member bodies for approval before their acceptance as International Standards by the ISO Council. They are approved in accordance with ISO procedures requiring at least 75 % approval by the member bodies voting.

International Standard ISO 4552-1 was prepared by Technical Committee ISO/TC 132, *Ferrous alloys*.

Users should note that all International Standards undergo revision from time to time and that any reference made herein to any other International Standard implies its latest edition, unless otherwise stated.

iTeh STANDARD PREVIEW
(standards.iteh.ai)

<https://standards.iteh.ai/catalog/standards/sist/76fa1536-3f1b-41eb-9b6a-23e7333b667e/sist-iso-4552-1-2000>

Contents

	Page
1 Scope and field of application	1
2 Reference	1
3 General requirements	1
3.1 Definitions, general requirements for sampling and sample preparation, tools and equipment	1
3.2 Quality characteristics for precision requirements	1
4 Overall precision of the determination of the chemical composition of a consignment	1
5 Sampling	2
5.1 Mass of increment	2
5.2 Number of increments and precision of sampling	2
5.3 Method of increment sampling	3
5.4 Gross sample	4
6 Sample preparation	4
6.1 Precision of sample preparation	4
6.2 Sample division	4
6.3 Crushing and mixing	5
7 Test sample	5
8 Bibliography	5
Annex	
Initial data for calculation of sampling parameters	7
A.1 Number of increments taken from one consignment	7
A.2 Overall precision of the determination of the chemical composition of a consignment, β_{SDM}	7

iTeh STANDARD PREVIEW
(standards.iteh.ai)

SIST ISO 4552-1:2000
<https://standards.iteh.ai/catalog/standards/sist/76fa1536-3f1b-41eb-9b6a-52731e2c0000/iso-4552-1-2000>

iTeh STANDARD PREVIEW
This page intentionally left blank
(standards.iteh.ai)

SIST ISO 4552-1:2000

<https://standards.iteh.ai/catalog/standards/sist/76fa1536-3f1b-41eb-9b6a-23e7333b667e/sist-iso-4552-1-2000>

Ferroalloys — Sampling and sample preparation for chemical analysis —

Part 1 :

Ferrochromium, ferrosilicochromium, ferrosilicon, ferrosilicomanganese, ferromanganese

iTeh STANDARD PREVIEW (standards.iteh.ai)

SIST ISO 4552-1:2000

1 Scope and field of application

This part of ISO 4552 specifies the methods for sampling and sample preparation for the determination of the chemical composition of a consignment of ferrochromium, ferrosilicochromium, ferrosilicon, ferrosilicomanganese or ferromanganese.

NOTE — For purposes of sampling, ferrochromium is subdivided into non-crushable and crushable alloys. Low-carbon and certain medium-carbon ferrochromiums are non-crushable alloys; medium-carbon and high-carbon ferrochromiums are crushable alloys.

Part 2 of ISO 4552 specifies the methods for use with ferrotitanium, ferromolybdenum, ferrotungsten, ferroniobium and ferrovanadium.

2 Reference

ISO 3713, *Ferroalloys — Sampling and sample preparation — General rules*.

3 General requirements

3.1 Definitions, general requirements for sampling and sample preparation, tools and equipment

See ISO 3713.

3.2 Quality characteristics for precision requirements

The overall precision of the determination of the chemical composition of a consignment β_{SDM} , precision of sampling β_S , precision of sample preparation β_D and precision of the method of analysis β_M at the 95 % confidence level shall be specified with respect to the quality characteristics shown in table 1.

Table 1 — Quality characteristics for precision requirements

Ferroalloy	Quality characteristic, % (m/m)
Ferrochromium	Chromium content
Ferrosilicochromium	Chromium and silicon contents
Ferrosilicon	Silicon content
Ferrosilicomanganese	Silicon and manganese contents
Ferromanganese	Manganese content

4 Overall precision of the determination of the chemical composition of a consignment

The methods of sampling and sample preparation specified in this part of ISO 4552 allow the determination of the chemical composition of a consignment at the 95 % confidence level with the overall precision shown in table 2, depending on the mass of the consignment sampled.

Table 2 — Overall precision of the determination of the chemical composition of a consignment

Mass of consignment t		Overall precision, β_{SDM} , % (m/m)							
Over	Up to and including	FeCr non-crushable	FeCr crushable	FeSiCr		FeSi	FeSiMn		FeMn
		Cr		Si		Mn			
5 000	10 000	0,68	0,53	0,54	0,56	0,74	0,43	0,44	0,43
2 500	5 000	0,69	0,53	0,56	0,56	0,75	0,43	0,45	0,44
1 000	2 500	0,69	0,54	0,56	0,57	0,75	0,44	0,46	0,44
500	1 000	0,70	0,55	0,57	0,57	0,76	0,44	0,47	0,46
250	500	0,70	0,56	0,59	0,59	0,77	0,45	0,48	0,46
100	250	0,71	0,57	0,60	0,60	0,78	0,46	0,49	0,48
50	100	0,73	0,59	0,61	0,61	0,79	0,48	0,50	0,49
25	50	0,75	0,61	0,64	0,64	0,81	0,50	0,53	0,51
10	25	0,78	0,68	0,76	0,72	0,88	0,55	0,59	0,57
5	10	0,82	0,72	0,78	0,78	0,93	0,58	0,64	0,61
	5	0,87	0,79	0,79	0,86	0,99	0,64	0,71	0,67

5 Sampling

5.1 Mass of increment

5.1.1 The minimum mass of an increment as a function of the nominal top size of a consignment shall correspond to that shown in table 3.

Table 3 — Mass of increment

Nominal top size, mm	Minimum mass of increment, kg				
	FeCr crushable	FeSiCr	FeSi	FeSiMn	FeMn
100 and greater	8,0	5,0	8,0	8,0	8,0
75	—	—	4,0	—	—
50	4,0	3,0	—	4,0	4,0
35	—	—	1,5	—	—
25	1,5	1,0	1,0	1,5	1,5
10 and less	1,0	0,5	0,5	1,0	1,0

5.1.2 For non-crushable ferrochromium, the minimum mass of an increment taken from each lump in the form of drillings of 0,1 to 0,2 mm in thickness shall be not less than 20 g.

5.2 Number of increments and precision of sampling

5.2.1 The minimum number of increments necessary for attaining the planned precision of sampling as a function of the mass of a consignment shall correspond to that given in table 4.

1 Other sampling parameters may be adopted by agreement between supplier and consumer. In such a case, the minimum number of increments should be calculated using the formula

$$n = \left(\frac{2\sigma_i}{\beta_s} \right)^2$$

2 If the maximum particle size in a consignment is 100 mm and more, increments should be taken in accordance with ISO 3713.

Table 4 — Minimum number of increments and precision of sampling

Mass of consignment t		Minimum number of increments	Precision of sampling, β_s , % (m/m)						
Over	Up to and including		FeCr crushable	FeSiCr		FeSi	FeSiMn		FeMn
			Cr		Si		Mn		
5 000	10 000	33	0,28	0,28	0,31	0,31	0,23	0,26	0,24
2 500	5 000	30	0,29	0,29	0,33	0,33	0,24	0,27	0,25
1 000	2 500	28	0,30	0,30	0,34	0,34	0,25	0,28	0,26
500	1 000	25	0,32	0,32	0,36	0,36	0,26	0,30	0,28
250	500	23	0,33	0,33	0,38	0,38	0,27	0,31	0,29
100	250	20	0,36	0,36	0,40	0,40	0,29	0,33	0,31
50	100	18	0,38	0,38	0,42	0,42	0,31	0,35	0,33
25	50	15	0,41	0,41	0,46	0,46	0,34	0,39	0,36
10	25	10	0,51	0,51	0,57	0,57	0,41	0,47	0,44
5	10	8	0,57	0,57	0,64	0,64	0,46	0,53	0,49
	5	6	0,65	0,65	0,73	0,73	0,53	0,61	0,57

5.2.2 For non-crushable ferrochromium, the minimum number of lumps necessary for attaining the planned precision of sampling as a function of the mass of a consignment, shall correspond to that given in table 5.

Table 5 — Minimum number of lumps and sampling precision for non-crushable ferrochromium

Mass of consignment <i>t</i>		Minimum number of lumps	Precision of sampling. β_S , % (m/m) Cr
Over	Up to and including		
5 000	10 000	39	0,26
2 500	5 000	36	0,27
1 000	2 500	33	0,28
500	1 000	29	0,30
250	500	27	0,31
100	250	24	0,33
50	100	19	0,37
25	50	16	0,40
10	25	12	0,46
5	10	9	0,53
	5	7	0,60

5.3 Method of increment sampling

5.3.1 When sampling an unpacked consignment, the methods of increment sampling and the intervals between increment sampling shall comply with the requirements of ISO 3713.

5.3.2 When sampling a packed consignment, samples shall be taken in one or two stages.

When sampling in one stage, the number of packed units taken shall correspond to the number of increments or lumps shown in tables 4 and 5. One increment shall be taken from each packed unit sampled.

When sampling in two stages, the number of packed units taken at the first stage and the number of increments taken from one packed unit shall be calculated from equation (8) in ISO 3713. M_p and n_s shall be chosen in such a way that β_S does not exceed the values given in tables 4 and 5 for corresponding masses of consignments.

The methods of selecting the packed units and of selecting increments from these packed units shall comply with the requirements of ISO 3713.

5.3.3 For non-crushable ferrochromium, the methods of lump sampling shall be analogous to those of increment sampling for both packed and unpacked consignments (see 5.3.1).

5.3.4 Increments shall be obtained from lumps of non-crushable ferrochromium by one of the following methods:

a) If the top and bottom surfaces of a lump are easily recognizable, an increment in the form of drillings shall be obtained by milling, shaping or drilling through the whole thickness of the lump from the top surface to the bottom surface as shown in figure 1.

b) If the top and bottom surfaces of a lump are easily recognizable and the thickness of the lump is so large that it is difficult to take an increment by method a), drilling may be carried out perpendicular to the broken surface at four equidistant points. The distance between the outer holes

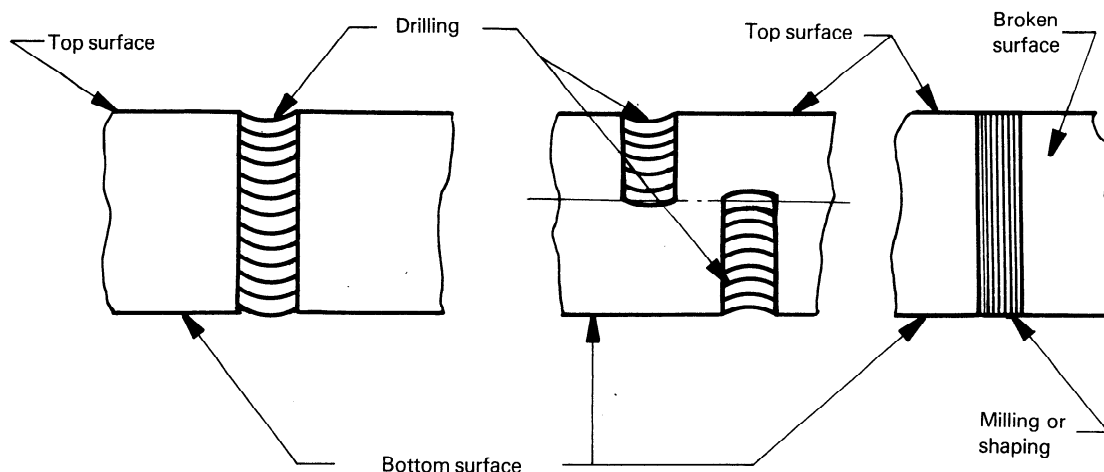


Figure 1 — Procedure of increment sampling of a non-crushable ferrochromium lump