



Designation: D2105 – 01 (Reapproved 2019)

# Standard Test Method for Longitudinal Tensile Properties of “Fiberglass” (Glass-Fiber-Reinforced Thermosetting-Resin) Pipe and Tube<sup>1</sup>

This standard is issued under the fixed designation D2105; the number immediately following the designation indicates the year of original adoption or, in the case of revision, the year of last revision. A number in parentheses indicates the year of last reapproval. A superscript epsilon ( $\epsilon$ ) indicates an editorial change since the last revision or reapproval.

## 1. Scope

1.1 This test method covers the determination of the comparative longitudinal tensile properties of fiberglass pipe when tested under defined conditions of pretreatment, temperature, and testing machine speed. Both glass-fiber-reinforced thermosetting-resin pipe (RTRP) and glass-fiber-reinforced polymer mortar pipe (RPMP) are fiberglass pipes.

NOTE 1—For the purposes of this standard, polymer does not include natural polymer.

1.2 This test method is generally limited to pipe diameter of 6 in. (150 mm) or smaller. Larger sizes may be tested if required apparatus is available.

1.3 The values stated in inch-pound units are to be regarded as the standard. The values given in parentheses are provided for information purposes only.

1.4 *This standard does not purport to address all of the safety concerns, if any, associated with its use. It is the responsibility of the user of this standard to establish appropriate safety, health, and environmental practices and determine the applicability of regulatory limitations prior to use.*

NOTE 2—There is no known ISO equivalent to this standard.

1.5 *This international standard was developed in accordance with internationally recognized principles on standardization established in the Decision on Principles for the Development of International Standards, Guides and Recommendations issued by the World Trade Organization Technical Barriers to Trade (TBT) Committee.*

## 2. Referenced Documents

2.1 *ASTM Standards:*<sup>2</sup>

[C33 Specification for Concrete Aggregates](#)

<sup>1</sup> This test method is under the jurisdiction of ASTM Committee D20 on Plastics and is the direct responsibility of Subcommittee D20.23 on Reinforced Plastic Piping Systems and Chemical Equipment.

Current edition approved Nov. 15, 2019. Published December 2019. Originally approved in 1962. Last previous edition approved in 2014 as D2105 – 01(2014). DOI: 10.1520/D2105-01R19.

<sup>2</sup> For referenced ASTM standards, visit the ASTM website, [www.astm.org](http://www.astm.org), or contact ASTM Customer Service at [service@astm.org](mailto:service@astm.org). For *Annual Book of ASTM Standards* volume information, refer to the standard's Document Summary page on the ASTM website.

- [D618 Practice for Conditioning Plastics for Testing](#)
- [D638 Test Method for Tensile Properties of Plastics](#)
- [D638M Test Method for Tensile Properties of Plastics \(Metric\) \(Withdrawn 1996\)<sup>3</sup>](#)
- [D883 Terminology Relating to Plastics](#)
- [D1600 Terminology for Abbreviated Terms Relating to Plastics](#)
- [D3567 Practice for Determining Dimensions of “Fiberglass” \(Glass-Fiber-Reinforced Thermosetting Resin\) Pipe and Fittings](#)
- [E4 Practices for Force Verification of Testing Machines](#)
- [E83 Practice for Verification and Classification of Extensometer Systems](#)
- [F412 Terminology Relating to Plastic Piping Systems](#)

## 3. Terminology

3.1 *General*—Definitions are in accordance with Terminology [D883](#) and [F412](#) and abbreviations are in accordance with Terminology [D1600](#), unless otherwise indicated.

3.2 Other definitions of terms and symbols relating to tension testing of plastics appear in the Annex to Test Methods [D638](#) and [D638M](#).

3.3 *Definitions of Terms Specific to This Standard:*

3.3.1 *aggregate*—a siliceous sand conforming to the requirements of Specification [C33](#), except that the requirements for gradation shall not apply.

3.3.2 *exterior surface resin layer*—a resin layer, with or without filler or reinforcement, or both, applied to the exterior surface of the pipe structural wall.

3.3.3 *fiberglass pipe*—a tubular product containing glass fiber reinforcement embedded in or surrounded by cured thermosetting resin; the composite structure may contain aggregate, granular or platelet fillers, thixotropic agents, pigments, or dyes; thermoplastic or thermosetting liners may be included.

3.3.4 *liner*—the inner portion of the wall at least 0.005 in. (0.13 mm) in thickness, as determined in [9.1.2](#), which does not contribute to the strength in the determination of the hydrostatic design basis.

<sup>3</sup> The last approved version of this historical standard is referenced on [www.astm.org](http://www.astm.org).

\*A Summary of Changes section appears at the end of this standard

3.3.5 *reinforced polymer mortar pipe (RPMP)*—a fiberglass pipe with aggregate.

3.3.6 *reinforced thermosetting resin pipe (RTRP)*—a fiberglass pipe without aggregate.

3.3.7 *reinforced wall thickness*—the total wall thickness minus the liner or exterior coating thickness, or both.

#### 4. Significance and Use

4.1 Tensile properties include modulus of elasticity, yield stress, elongation beyond yield point, tensile strength, elongation at break, and energy absorption. Materials possessing a low order of ductility may not exhibit a yield point. Stress-strain data at several levels of temperature, humidity, time, or other variables may be needed to furnish reasonably accurate indications of the behavior of the material.

4.2 Tension tests may provide data for research and development, engineering design, quality control, acceptance or rejection under specifications, and for special purposes (Note 3). The tests cannot be considered significant for applications differing widely from the load-time scale of the standard test (Note 4). Such applications require more suitable tests, such as impact, creep, and fatigue.

NOTE 3—It is realized that the method of preparation of a material is one of the many variables that affect the results obtained in testing a material. Hence, when comparative tests of materials per se are desired, the greatest care must be exercised to ensure that all samples are prepared in exactly the same way; similarly, for referee or comparative tests of any given series of specimens, care must be taken to secure the maximum degree of uniformity in details of preparation, treatment, and handling.

NOTE 4—Reinforcements of plastics with glass fiber offer wide opportunities for designing and producing products with markedly different responses to loading even when the basic geometry of the product is similar. For example, a tubular product may be designed to give maximum resistance to torsion loading, but such a product might develop a twist or bow if tested in tension or under internal pressure loading. In the case of pipe for general field use, internal pressure, as well as loads in tension, compression, torsion, and flexure must be resisted to some degree. Different pipe producers have chosen, by design, to offer products having different balances of resistance to such stressing conditions. As a result, it is important that the purchaser and the seller both have a clear understanding and agreement on the significance of this test method relative to the intended use.

#### 5. Apparatus

5.1 *Testing Machine*—A testing machine of the constant-rate-of-crosshead-movement type (Note 5) and comprising essentially the following:

NOTE 5—It is recognized that the constant rate-of-crosshead-movement type of test leaves much to be desired from a theoretical standpoint, that wide differences may exist between gage marks on the specimen, and that the testing speeds specified disguise important effects characteristic of materials in the plastic state. Further, it is realized that variations in the thicknesses of test specimens, which are permitted by these procedures, produce variations in the surface-volume ratios of such specimens, and that these variations may influence the test results. Hence, where directly comparable results are desired, all samples should be of equal thickness and outside diameter. Appropriate modifications of the test procedure should be used when more precise physical data are needed.

5.1.1 *Fixed Member*—A fixed or essentially stationary member carrying one grip.

5.1.2 *Movable Member*—A movable member carrying a second grip.

5.1.3 *Grips*—Grips for holding the test specimen between the fixed member and the movable member. The grips shall be self-aligning; that is, they shall be attached to the fixed and movable member, respectively, in such a manner that they will move freely into alignment as soon as any load is applied. With this arrangement, the long axis of the test specimen will coincide with the direction of the applied pull through the center line of the grip assembly. The test specimen shall be held in such a way that slippage relative to the grips is prevented insofar as possible. The grips shall be designed so that no crushing load shall be applied to the pipe ends. A suggested set of grips and mandrels is shown in Fig. 1 and Fig. 2.

5.1.4 *Drive Mechanism*—A drive mechanism for imparting to the movable member a uniform, controlled velocity with respect to the stationary member, this velocity to be regulated as specified in 9.3.

5.1.5 *Load Indicator*—A suitable load-indicating mechanism capable of showing the total tensile load carried by the test specimen when held by the grips. This mechanism shall be essentially free from inertia lag at the specified rate of testing and shall indicate the load with an accuracy of  $\pm 1\%$  of the indicated value, or better. The accuracy of the testing machine shall be verified in accordance with Practice E4.

NOTE 6—Experience has shown that many testing machines now in use are incapable of maintaining accuracy for as long as the periods between inspection recommended in Practice E4. Hence, it is recommended that each machine be studied individually and verified as often as necessary. It will frequently be necessary to perform this function daily.

5.1.6 The fixed member, movable member, drive mechanism, and grips shall be constructed of such materials and in such proportions that the total elastic longitudinal strain of the system constituted by these parts does not exceed 1% of the total longitudinal strain between the two gage marks on the test specimen at any time during the test and at any load up to the rated capacity of the machine.

5.2 *Extension Indicator*—A suitable instrument for determining the distance between two fixed points located within the gage length of the test specimen at any time during the test. It is desirable, but not essential, that this instrument automatically record this distance (or any change in it) as a function of the load on the test specimen or of the elapsed time from the start of the test, or both. If only the latter is obtained, load-time data must also be taken. This instrument shall be free of inertia lag at the specified speed of testing and shall be accurate to  $\pm 1\%$  of strain or better.

NOTE 7—Reference is made to Practice E83.

5.3 *Micrometers*—Suitable micrometers, reading to at least 0.001 in. (0.025 mm), for measuring the diameter and thickness of the test specimens.

#### 6. Test Specimen

6.1 The test specimens shall be sections of fiberglass pipe or tubing with a minimum length of 18 in. (45.7 cm) between grips.

6.2 All surfaces of each specimen shall be free from visible flaws, scratches, or imperfections.

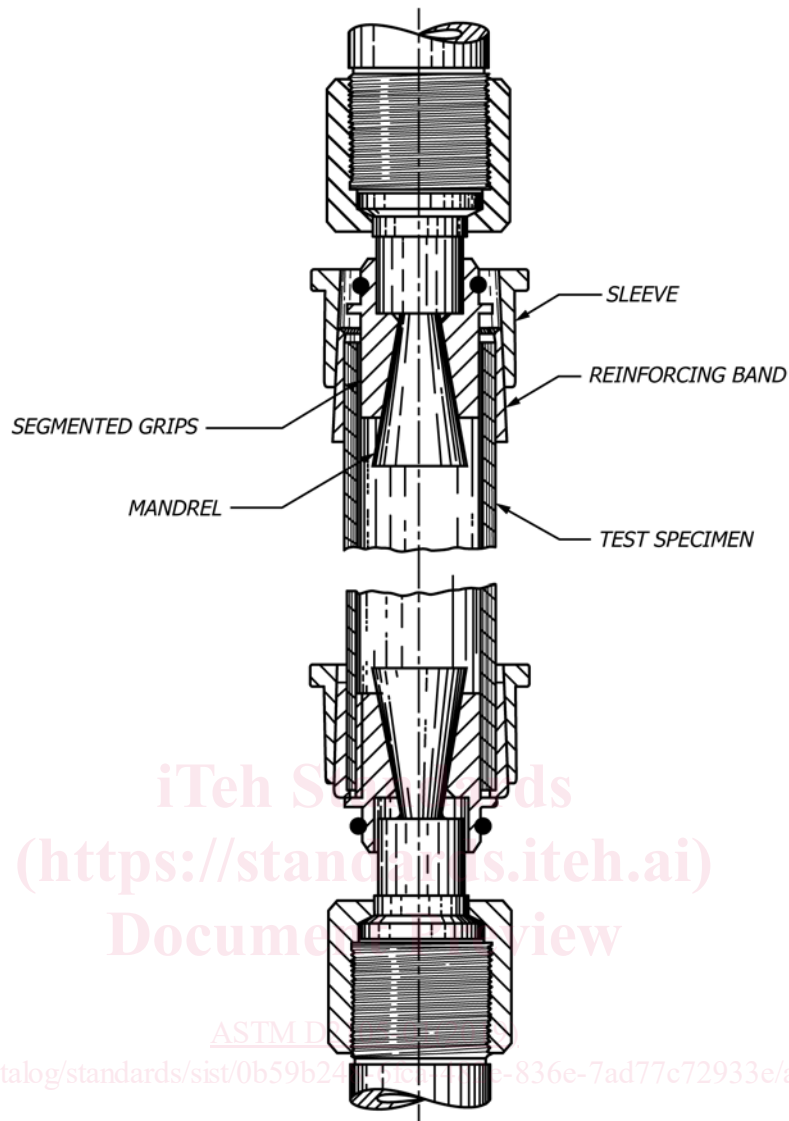


FIG. 1 Suggested Holding Device for Tension Test Specimen

6.3 The minimum gage length shall be 2.0 in. (5.1 cm) for mechanical extension measuring devices. A gage length of less than 2.0 in. (5.1 cm) is acceptable for electrical extension measuring devices, such as strain gages.

6.4 Gage marks may be placed on the specimen using ink, crayon, scratches, punches, etc., provided they do not damage the reinforcement.

6.5 Pipe with high tensile properties may require additional reinforcement at the grip areas to prevent pipe failure from the crush load of the grips.

6.6 For determination of joint strength, specimens shall include a joint centered between the grips.

## 7. Number of Test Specimens

7.1 At least five specimens shall be tested for each sample.

7.2 Results from tested specimens that break at some obvious flaw or within one pipe diameter of the grips may be discarded.

## 8. Conditioning

8.1 *Conditioning*—Condition the test specimens at  $73 \pm 4^\circ\text{F}$  ( $22.7 \pm 2.2^\circ\text{C}$ ) and  $50 \pm 5\%$  relative humidity for not less than 40 h prior to test in accordance with Procedure A of Methods **D618**, for those tests where conditioning is required. In cases of disagreement, the tolerances shall be  $\pm 2^\circ\text{F}$  ( $\pm 1.1^\circ\text{C}$ ) and  $\pm 2\%$  relative humidity.

8.2 *Test Conditions*—Conduct tests in the Standard Laboratory Atmosphere of  $73 \pm 4^\circ\text{F}$  ( $22.7 \pm 2.2^\circ\text{C}$ ) and  $50 \pm 5\%$  relative humidity, unless otherwise specified in the test methods or in this specification. In cases of disagreements, the tolerances shall be  $\pm 2^\circ\text{F}$  ( $1.1^\circ\text{C}$ ) and  $\pm 2\%$  relative humidity.

## 9. Procedure

9.1 *Dimensions and Tolerances:*

9.1.1 *Wall Thickness and Diameter*—Determine in accordance with Practice **D3567**.