

INTERNATIONAL STANDARD



**Information technology – Home electronic system (HES) architecture –
Part 4-302: Application protocols for electrical storage systems and controllers**

(standards.itih.ai)

[ISO/IEC 14543-4-302:2023](https://standards.itih.ai/catalog/standards/sist/6e8903b9-a8d6-462b-8bce-0d972e53b197/iso-iec-14543-4-302-2023)

<https://standards.itih.ai/catalog/standards/sist/6e8903b9-a8d6-462b-8bce-0d972e53b197/iso-iec-14543-4-302-2023>





THIS PUBLICATION IS COPYRIGHT PROTECTED
Copyright © 2023 ISO/IEC, Geneva, Switzerland

All rights reserved. Unless otherwise specified, no part of this publication may be reproduced or utilized in any form or by any means, electronic or mechanical, including photocopying and microfilm, without permission in writing from either IEC or IEC's member National Committee in the country of the requester. If you have any questions about ISO/IEC copyright or have an enquiry about obtaining additional rights to this publication, please contact the address below or your local IEC member National Committee for further information.

IEC Secretariat
3, rue de Varembe
CH-1211 Geneva 20
Switzerland

Tel.: +41 22 919 02 11
info@iec.ch
www.iec.ch

About the IEC

The International Electrotechnical Commission (IEC) is the leading global organization that prepares and publishes International Standards for all electrical, electronic and related technologies.

About IEC publications

The technical content of IEC publications is kept under constant review by the IEC. Please make sure that you have the latest edition, a corrigendum or an amendment might have been published.

IEC publications search - webstore.iec.ch/advsearchform

The advanced search enables to find IEC publications by a variety of criteria (reference number, text, technical committee, ...). It also gives information on projects, replaced and withdrawn publications.

IEC Products & Services Portal - products.iec.ch

Discover our powerful search engine and read freely all the publications previews. With a subscription you will always have access to up to date content tailored to your needs.

IEC Just Published - webstore.iec.ch/justpublished

Stay up to date on all new IEC publications. Just Published details all new publications released. Available online and once a month by email.

Electropedia - www.electropedia.org

The world's leading online dictionary on electrotechnology, containing more than 22 300 terminological entries in English and French, with equivalent terms in 19 additional languages. Also known as the International Electrotechnical Vocabulary (IEV) online.

IEC Customer Service Centre - webstore.iec.ch/csc

If you wish to give us your feedback on this publication or need further assistance, please contact the Customer Service Centre: sales@iec.ch.

[ISO/IEC 14543-4-302:2023](https://standards.iteh.ai/catalog/standards/sist/6e8903b9-a8d6-462b-8bce-0d972e53b197/iso-iec-14543-4-302-2023)

<https://standards.iteh.ai/catalog/standards/sist/6e8903b9-a8d6-462b-8bce-0d972e53b197/iso-iec-14543-4-302-2023>



ISO/IEC 14543-4-302

Edition 1.0 2023-04

INTERNATIONAL STANDARD



**Information technology – Home electronic system (HES) architecture –
Part 4-302: Application protocols for electrical storage systems and controllers**

[ISO/IEC 14543-4-302:2023](https://standards.iteh.ai/catalog/standards/sist/6e8903b9-a8d6-462b-8bce-0d972e53b197/iso-iec-14543-4-302-2023)

<https://standards.iteh.ai/catalog/standards/sist/6e8903b9-a8d6-462b-8bce-0d972e53b197/iso-iec-14543-4-302-2023>

INTERNATIONAL
ELECTROTECHNICAL
COMMISSION

ICS 35.240.67

ISBN 978-2-8322-6793-6

Warning! Make sure that you obtained this publication from an authorized distributor.

CONTENTS

FOREWORD.....	5
INTRODUCTION.....	7
1 Scope.....	8
2 Normative references	8
3 Terms, definitions and abbreviated terms	8
3.1 Terms and definitions.....	8
3.2 Abbreviations.....	9
4 Conformance.....	10
5 Configuration.....	10
5.1 General.....	10
5.2 Configuration and components.....	10
5.3 Connection configuration	11
6 Application layer.....	12
6.1 General.....	12
6.2 NECD objects	12
6.3 NECD services.....	12
6.4 Object-specific NECD properties.....	12
6.5 Application operation	14
6.5.1 General	14
6.5.2 Continuous requests.....	14
6.5.3 Response wait time value for controllers.....	15
6.5.4 Resending a frame	15
6.5.5 Processing object property counter.....	15
6.5.6 Property values of write requests.....	15
7 Normal operation.....	16
7.1 General.....	16
7.2 Start-up operation.....	18
7.2.1 General	18
7.2.2 Start-up processing of NECD nodes	18
7.2.3 Search processing.....	18
7.2.4 Obtaining NECD attribute information	18
7.2.5 Obtaining electrical storage system attribute information	19
7.3 Occasional operation	22
7.3.1 General	22
7.3.2 Obtaining electrical storage system status.....	22
7.3.3 Setting and updating "AC charge amount target value" property (or "AC discharge amount target value" property).....	25
7.3.4 Setting and updating "Charging electric power setting" property (or "Discharging electric power setting" property) (optional).....	28
7.3.5 Setting "Charging method" property (or "Discharging method" property) (optional).....	31
7.3.6 Setting "Operation mode setting" property	34
7.3.7 Terminating charging (or discharging) operation of the storage battery based on "AC charging amount target value" property (or "AC discharging amount target value" property).....	37
7.4 Fault status notification.....	41
8 Remote control.....	42

8.1	General.....	42
8.2	Setting and updating "AC charge amount target value" property (or "AC discharge amount target value" property) on remote control.....	42
8.3	Setting "Operation mode setting" property when remotely controlling	44
9	Considerations on controllers	46
9.1	General.....	46
9.2	Restrictions by electrical storage system implementations	47
Annex A (informative) Terms and NECD protocol frame format on ISO/IEC 14543-4-3 and IEC 62394.....		48
A.1	Terms correspondence between ISO/IEC 14543-4-3 and IEC 62394.....	48
A.2	NECD protocol frame format	48
Annex B (informative) Relationship between ISO/IEC 14543-4 series and the HES gateway, based on ISO/IEC 15045 series and ISO/IEC 18012 series.....		50
Bibliography.....		51
Figure 1 – Relationship between IEC 62394, ISO/IEC 14543-4-3 and ISO/IEC 14543-4-302.....		7
Figure 2 – Example of electrical storage system configuration and components.....		10
Figure 3 – Connection configurations.....		11
Figure 4 – Assumed network stack.....		11
Figure 5 – Summary of normal operation sequences.....		17
Figure 6 – Sequence for obtaining NECD attribute information.....		19
Figure 7 – Sequence of obtaining electrical storage system attribute information		21
Figure 8 – Sequence to obtain status of electrical storage systems.....		25
Figure 9 – Sequence for setting "AC charge amount target value" property (or "AC discharge amount target value" property).....		28
Figure 10 – Sequence for setting "Charging electric power setting" property (or "Discharging electric power setting" property).....		31
Figure 11 – Sequence for setting "Charging method" property (or "Discharging method" property).....		33
Figure 12 – Sequence for setting "Charging method" property (or "Discharging method" property) when no response is received from the storage battery.....		34
Figure 13 – Sequence for setting "Operation mode setting" property.....		36
Figure 14 – Sequence for setting "Operation mode setting" property when no response is received from the storage battery		37
Figure 15 – Sequence of terminating charging (discharging) operation based on "AC charge amount target value" property ("AC discharge amount target value" property)		40
Figure 16 – Sequence of terminating charge (discharge) operation based on "AC charge amount target value" property ("AC discharge amount target value" property) when "Operation mode setting" property is changed		41
Figure 17 – Remote control.....		42
Figure 18 – Example of setting sequence for "AC charge amount target value" property ("AC discharge amount target value" property) when "Remote control setting" property is used.....		44
Figure 19 – Example of setting sequence for "Operation mode setting" property when "Remote control setting" property is used.....		45
Figure 20 – Example of setting sequence for "Operation mode setting" property when "Remote control setting" property is used, in case that no response is made by electrical storage system		46

Figure A.1 – NECD protocol frame format 49

Table 1 – NECD objects 12

Table 2 – NECD services 12

Table 3 – NECD properties of device object (super class) 13

Table 4 – NECD properties of device object 13

Table 5 – Response wait time values for controllers 15

Table 6 – Re-set wait time for the AC charge (or discharge) amount target value 27

Table 7 – Wait time for re-setting charging and discharging electric power setting 30

Table 8 – Wait time for charging and discharging method for re-setting 32

Table 9 – Wait time for re-setting operation mode 35

Table A.1 – Terms correspondence table between ISO/IEC 14543-4-3 and IEC 62394 48

Table B.1 – Partial list of the translation between ISO/IEC 14543-4-302 and
HES gateway lexicon (ISO/IEC 18012-3) 50

iTeh STANDARD PREVIEW
(standards.iteh.ai)

[ISO/IEC 14543-4-302:2023](https://standards.iteh.ai/catalog/standards/sist/6e8903b9-a8d6-462b-8bce-0d972e53b197/iso-iec-14543-4-302-2023)

<https://standards.iteh.ai/catalog/standards/sist/6e8903b9-a8d6-462b-8bce-0d972e53b197/iso-iec-14543-4-302-2023>

INFORMATION TECHNOLOGY – HOME ELECTRONIC SYSTEM (HES) ARCHITECTURE –

Part 4-302: Application protocols for electrical storage systems and controllers

FOREWORD

- 1) ISO (the International Organization for Standardization) and IEC (the International Electrotechnical Commission) form the specialized system for worldwide standardization. National bodies that are members of ISO or IEC participate in the development of International Standards through technical committees established by the respective organization to deal with particular fields of technical activity. ISO and IEC technical committees collaborate in fields of mutual interest. Other international organizations, governmental and non-governmental, in liaison with ISO and IEC, also take part in the work.
- 2) The formal decisions or agreements of IEC and ISO on technical matters express, as nearly as possible, an international consensus of opinion on the relevant subjects since each technical committee has representation from all interested IEC and ISO National bodies.
- 3) IEC and ISO documents have the form of recommendations for international use and are accepted by IEC and ISO National bodies in that sense. While all reasonable efforts are made to ensure that the technical content of IEC and ISO documents is accurate, IEC and ISO cannot be held responsible for the way in which they are used or for any misinterpretation by any end user.
- 4) In order to promote international uniformity, IEC and ISO National bodies undertake to apply IEC and ISO documents transparently to the maximum extent possible in their national and regional publications. Any divergence between any IEC and ISO document and the corresponding national or regional publication shall be clearly indicated in the latter.
- 5) IEC and ISO do not provide any attestation of conformity. Independent certification bodies provide conformity assessment services and, in some areas, access to IEC and ISO marks of conformity. IEC and ISO are not responsible for any services carried out by independent certification bodies.
- 6) All users should ensure that they have the latest edition of this document.
- 7) No liability shall attach to IEC and ISO or their directors, employees, servants or agents including individual experts and members of its technical committees and IEC and ISO National bodies for any personal injury, property damage or other damage of any nature whatsoever, whether direct or indirect, or for costs (including legal fees) and expenses arising out of the publication, use of, or reliance upon, this ISO/IEC document or any other IEC and ISO documents.
- 8) Attention is drawn to the Normative references cited in this document. Use of the referenced publications is indispensable for the correct application of this document.
- 9) Attention is drawn to the possibility that some of the elements of this ISO/IEC document may be the subject of patent rights. IEC and ISO shall not be held responsible for identifying any or all such patent rights.

ISO/IEC 14543-4-302 has been prepared by subcommittee 25: Interconnection of information technology equipment, of ISO/IEC joint technical committee 1: Information technology. It is an International Standard.

The list of all currently available parts of the ISO/IEC 14543 series, under the general title *Information technology – Home Electronic System (HES) architecture*, can be found on the IEC website and ISO website.

The text of this International Standard is based on the following documents:

Draft	Report on voting
JTC1-SC25/3100/CDV	JTC1-SC25/3130/RVC

Full information on the voting for its approval can be found in the report on voting indicated in the above table.

The language used for the development of this International Standard is English.

This document was drafted in accordance with ISO/IEC Directives, Part 2, and developed in accordance with ISO/IEC Directives, Part 1, available at www.iec.ch/members_experts/refdocs and www.iso.org/directives.

IMPORTANT – The "colour inside" logo on the cover page of this document indicates that it contains colours which are considered to be useful for the correct understanding of its contents. Users should therefore print this document using a colour printer.

iTeh STANDARD PREVIEW
(standards.iteh.ai)

ISO/IEC 14543-4-302:2023

<https://standards.iteh.ai/catalog/standards/sist/6e8903b9-a8d6-462b-8bce-0d972e53b197/iso-iec-14543-4-302-2023>

INTRODUCTION

This part of ISO/IEC 14543 specifies the detailed procedures and behaviours of both electrical storage systems and controllers at the application level of communications based on ISO/IEC 14543-4-3. This document specifies the message structure, sequences and protocol of the application layer for networked enhanced control devices used in the Home Electronic System (HES). Some services are targeted for communications between devices. Other services are exclusively reserved for management purposes. Some services can be used for both management and run-time communications. This document is applicable for energy management services involving storage batteries, inverters, chargers and related devices.

Figure 1 shows the relationship among IEC 62394, ISO/IEC 14543-4-3 and ISO/IEC 14543-4-302. ISO/IEC 14543-4-3 specifies the message structure, sequences and protocol for general-purpose communications used in network enhanced control devices of the Home Electronic System (HES) Class 1. ISO/IEC 14543-4-3 provides the common interfaces for the use-level process and the services such as energy management, remote maintenance, and other services for easily building a system consisting of multi-vendor devices and equipment. IEC 62394 specifies the detailed lists of control commands on NECD objects (see ISO/IEC 14543-4-3). Annex A shows terms and NECD protocol frame format on ISO/IEC 14543-4-3 and IEC 62394.

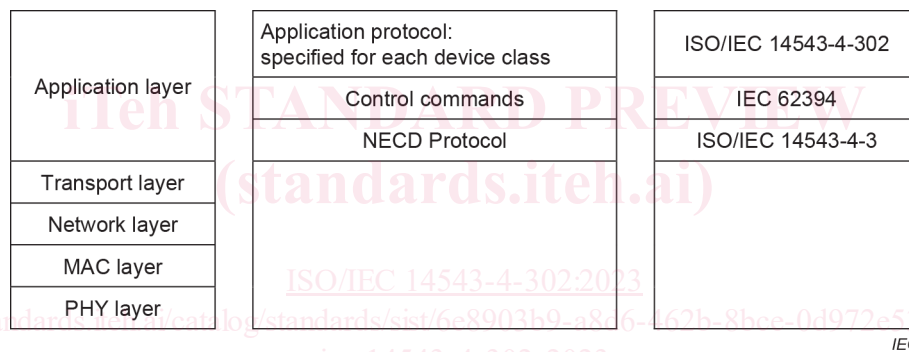


Figure 1 – Relationship between IEC 62394, ISO/IEC 14543-4-3 and ISO/IEC 14543-4-302

ISO/IEC 14543-4-3 is a general-purpose communications specification that applies to a variety of devices. ISO/IEC 14543-4-3 is the basis for this document, which specifies detailed procedures and behaviours for pre-packaged system solutions that include storage batteries, inverters, chargers and related devices. The procedures and behaviours specified in this document can be used for energy flow inside a home or energy flow between the grid and a home.

In order to enhance interoperability, it is important to specify how to implement ISO/IEC 14543-4-3 for each device and controller at the application level such as command sequences, timeout requirements, required combinations of acceptable commands, etc..

INFORMATION TECHNOLOGY – HOME ELECTRONIC SYSTEM (HES) ARCHITECTURE –

Part 4-302: Application protocols for electrical storage systems and controllers

1 Scope

This part of ISO/IEC 14543 specifies an application-layer protocol important for ensuring interoperability among the products of various manufacturers regarding communications between electrical storage systems and controllers. It uses the network enhanced communications device (NECD) protocol specified in ISO/IEC 14543-4-3. This protocol is based on UDP using IPv4 or IPv6 (TCP is optional).

2 Normative references

The following documents are referred to in the text in such a way that some or all of their content constitutes requirements of this document. For dated references, only the edition cited applies. For undated references, the latest edition of the referenced document (including any amendments) applies.

ISO/IEC 14543-4-3, *Information technology – Home Electronic System (HES) architecture – Part 4-3: Application layer interface to lower communications layers for network enhanced control devices of HES Class 1*

IEC 62394, *Service diagnostic interface for consumer electronics products and networks – Implementation for ECHONET*

3 Terms, definitions and abbreviated terms

3.1 Terms and definitions

For the purposes of this document the following terms and definitions apply.

ISO and IEC maintain terminology databases for use in standardization at the following addresses:

- IEC Electropedia: available at <https://www.electropedia.org/>
- ISO Online browsing platform: available at <https://www.iso.org/obp>

3.1.1

battery management unit

BMU

device that manages packs and cells

Note 1 to entry: Examples of management functions: monitoring state, calculating, checking environment, balancing, etc.

3.1.2

cell

device that can be charged and discharged repeatedly

Note 1 to entry: The typical residential device is a lithium ion battery.

3.1.3

device object

network enhanced control device (NECD) object other than a node profile object

Note 1 to entry: In this document, "device object" refers to storage battery object only.

3.1.4

electrical storage system

combination of devices that include single or multiple power conditioning systems (PCSs), battery management units (BMUs), and packs to support primarily residential applications, including a communications interface

3.1.5

NECD protocol

protocol used in network enhanced control device (NECD) communications

3.1.6

node profile

description of objects implemented in each node

3.1.7

pack

combination of cells

3.1.8

power conditioning system

PCS

device that charges and discharges cells, and translates DC voltage of cells to AC voltage (e.g. inverter), and AC voltage to DC voltage (e.g. charger) of cells

3.1.9

remote control

control from outside the home

3.1.10

response wait time

time between a controller request to and the response from an electrical storage system

3.1.11

super class

properties that are inherited and implemented in all device objects

3.2 Abbreviations

BMU	battery management unit
DNOJ	destination NECD object
IP	internet protocol
NDA	NECD data
NDT	NECD property value data
NECD	network enhanced control device
NHD	NECD header
NPC	NECD property code
NSV	NECD service
OPC	processing object property counter
PCS	power conditioning system

PDC	property data counter
SNOJ	source NECD object
TID	transaction ID
UDP	user datagram protocol

4 Conformance

Electrical storage systems and controllers of HES Class 1 that claim conformance to this document shall:

- send, receive and process sequences and procedures as specified in Clause 7.
- provide application services and properties specified in 6.2, 6.3 and 6.4 as needed by electrical storage systems and controllers for which the application is intended.

5 Configuration

5.1 General

Clause 5 specifies the configuration and components of an electrical storage system, and connection configurations between an electrical storage system and a controller.

5.2 Configuration and components

Figure 2 shows an example of an electrical storage system configuration and components. An electrical storage system basically includes the device or function of a power conditioning system (PCS), a battery management unit (BMU), and one or more packs. The electrical storage system includes the ISO/IEC 14543-4-302 data communications function on the PCS or BMU in many cases.

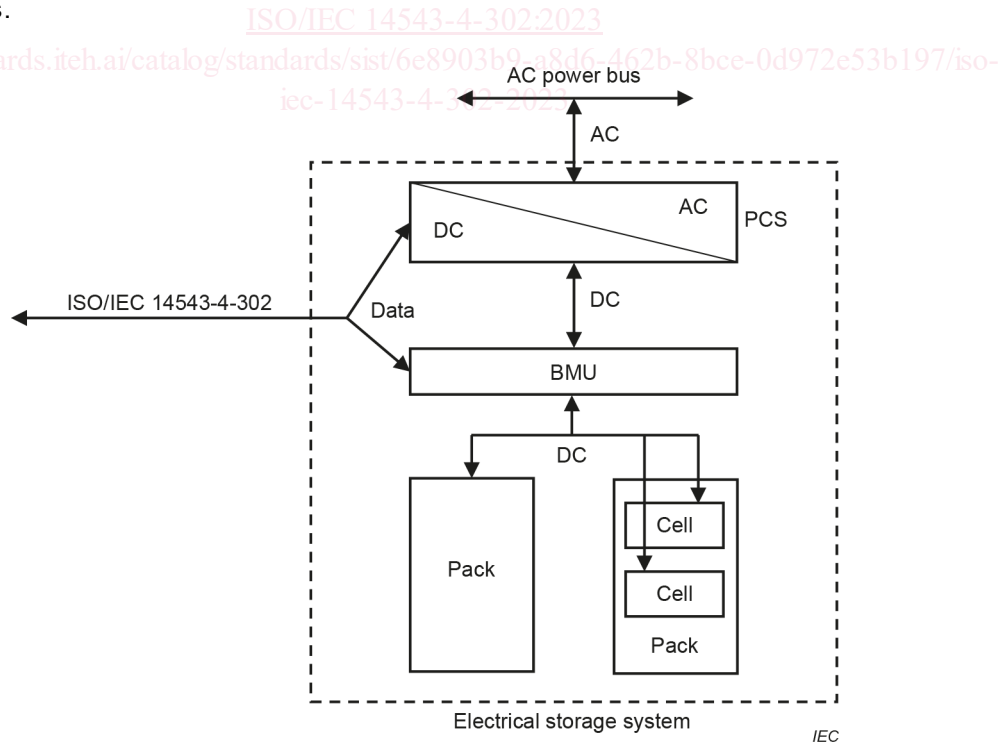
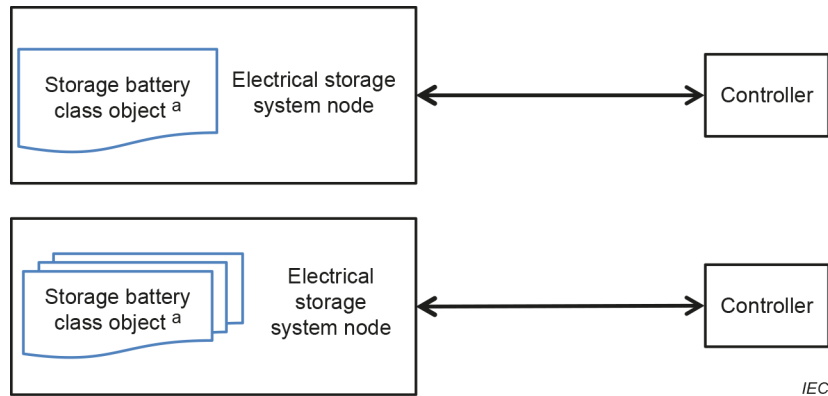


Figure 2 – Example of electrical storage system configuration and components

5.3 Connection configuration

This specification is necessary for ensuring interoperability between the products of different manufacturers in connection with application communications between electrical storage systems and controllers, using the NECD protocol as an application protocol via UDP (TCP)/IPv6 communications.

Figure 3 shows the configurations assumed under this specification.



^a "Storage battery class object" is a device object specified in IEC 62394.

Figure 3 – Connection configurations

The upper illustration in Figure 3 shows the case where a single device object is installed in a single node. The lower illustration shows the case where multiple device objects are installed in a single node. The latter case occurs when multiple battery units are attached to a single communications unit. In this case, there are multiple storage battery class objects in a single electrical storage system node (i.e. at a single IP address). Controllers shall support nodes that configure multiple device objects in a single node.

Controllers shall be capable of handling multiple nodes and objects. The maximum number of nodes and objects to be handled is implementation-dependent on the controllers. When multiple controllers are connected to a single system, some electrical storage systems cannot accept a request from a controller for a certain period of time after the electrical storage system received a request from another controller.

Figure 4 shows the assumed network stack for operating the NECD protocol in this document. NECD protocol operation is assumed as an application protocol on UDP(TCP)/IPv6. Note that TCP installation is optional. As a rule, the stack uses IPv6; however, IPv4 is allowed depending on the market trends for migration from IPv4 to IPv6.

Application layer	ISO/IEC 14543-4-302 IEC 62394 ISO/IEC 14543-4-3
Transport layer	UDP(TCP)
Network layer	IPv6 or IPv4
(Adaptation layer)	(6LoWPAN ^a)
MAC layer	(No specific MAC layer assumed)
PHY layer	(No specific PHY layer assumed)

^a Depends on transmission media using IPv6.

Figure 4 – Assumed network stack

Connection processing specific to each lower layer communications medium that is necessary in advance of the start of NECD communications is out of the scope of this document. In this document, application communications using the NECD protocol are specified on the assumption that connection processing specific to those communications media is complete.

6 Application layer

6.1 General

The NECD protocol shall be used at the application layer. All nodes that conform to this document shall support all mandatory functions specified in ISO/IEC 14543-4-3.

6.2 NECD objects

Electrical storage systems and controllers shall have the NECD objects shown in Table 1.

Table 1 – NECD objects

NECD object	Class group code	Class code	Class name	Instance code
Electrical storage system	0x02	0x7D	Storage battery	0x01 to 0x7F
	0x0E	0xF0	Node profile	0x01
Controller	0x05	0xFF	Controller	0x01 to 0x7F
	0x0E	0xF0	Node profile	0x01

NOTE Instance code 0x00 is designated to specify all instances of the same class in a node.

6.3 NECD services

Electrical storage systems and controllers shall support the NECD services shown in Table 2.

Table 2 – NECD services

NSV code	NECD service content	Symbol
0x51	Property value write "response-not-possible" response	SetC_SNA
0x52	Property value read "response-not-possible" response	Get_SNA
0x61	Property value write request (response required)	SetC
0x62	Property value read request	Get
0x71	Property value write response	Set_Res
0x72	Property value read response	Get_Res
0x73	Property value notification	INF

NOTE NSV codes which are specified in ISO/IEC 14543-4-3 but are not shown in Table 2 (0x60, 0x63, 0x6E, 0x74, 0x7A, 0x7E, 0x50, 0x53, and 0x5E) are not subject to the certification tests based on this document.

6.4 Object-specific NECD properties

Electrical storage systems shall install the NECD properties of a device object shown in Table 3 and Table 4. NECD properties of a node profile object shall support at least the mandatory properties.

Controllers shall send requests to the device object properties shown in Table 3 and Table 4. If a controller can control electrical storage systems via a public network, the remote control operations that set properties of storage batteries shall include SetC [0x61] to "Remote control setting" property [0x93].

Table 3 – NECD properties of device object (super class)

Property name	NPC	Units	Access rule		Announcement at status change	Remarks
			Get	Set		
Installation location	0x81	–	M	M	M	
Standard version information	0x82	–	M	–	–	
Fault status	0x88	–	M	–	M	
Manufacturer code	0x8A	–	M	–	–	
Remote control setting	0x93	–	O	O	–	
Status change announcement property map	0x9D	–	M	–	–	
Set property map	0x9E	–	M	–	–	
Get property map	0x9F	–	M	–	–	

M: mandatory, O: optional, –: not supported

Table 4 – NECD properties of device object

Property name	NPC	Units	Access rule		Announcement at status change	Remarks
			Get	Set		
Operation status	0x80	–	M	–	M	
Identification number	0x83	–	M	–	–	
Current time setting	0x97	–	M	–	–	
Current date setting	0x98	–	M	–	–	
AC effective capacity (charging)	0xA0	Wh	M	–	–	AC
AC effective capacity (discharging)	0xA1	Wh	M	–	–	AC
AC chargeable capacity	0xA2	Wh	M	–	–	AC
AC dischargeable capacity	0xA3	Wh	M	–	–	AC
AC chargeable electric energy	0xA4	Wh	M	–	–	AC
AC dischargeable electric energy	0xA5	Wh	M	–	–	AC
AC cumulative charging electric energy	0xA8	0,001 kWh	M	–	–	AC
AC cumulative discharging electric energy	0xA9	0,001 kWh	M	–	–	AC
AC charge amount target value	0xAA	Wh	M	M	M	AC
AC discharge amount target value	0xAB	Wh	M	M	M	AC
Charging method	0xC1	–	M	O	M	
Discharging method	0xC2	–	M	O	M	
Minimum and maximum charging electric power	0xC8	W	M	–	–	AC
Minimum and maximum discharging electric power	0xC9	W	M	–	–	AC
Working operation status	0xCF	–	M	–	M	a, b