



Designation: E546 – 14 (Reapproved 2020)

Standard Test Method for Frost/Dew Point of Sealed Insulating Glass Units¹

This standard is issued under the fixed designation E546; the number immediately following the designation indicates the year of original adoption or, in the case of revision, the year of last revision. A number in parentheses indicates the year of last reapproval. A superscript epsilon (ϵ) indicates an editorial change since the last revision or reapproval.

This standard has been approved for use by agencies of the U.S. Department of Defense.

1. Scope

1.1 This test method describes a laboratory procedure for determining the frost/dew point within the air space(s) of sealed insulating glass units, and establishes the criteria for determining whether that point is below or above a given or specified temperature.

1.2 This test method also describes the apparatus to be used for these determinations.

1.3 The values stated in inch-pound units are to be regarded as standard. The values given in parentheses are mathematical conversions to SI units that are provided for information only and are not considered standard.

1.4 *This standard does not purport to address all of the safety concerns, if any, associated with its use. It is the responsibility of the user of this standard to establish appropriate safety, health, and environmental practices and determine the applicability of regulatory limitations prior to use.* For specific hazard statements, see 9.1.3.

1.5 *This international standard was developed in accordance with internationally recognized principles on standardization established in the Decision on Principles for the Development of International Standards, Guides and Recommendations issued by the World Trade Organization Technical Barriers to Trade (TBT) Committee.*

2. Referenced Documents

2.1 *ASTM Standards:*²

C1036 Specification for Flat Glass

E77 Test Method for Inspection and Verification of Thermometers

E576 Test Method for Frost/Dew Point of Sealed Insulating Glass Units in the Vertical Position

¹ This test method is under the jurisdiction of ASTM Committee E06 on Performance of Buildings and is the direct responsibility of Subcommittee E06.22 on Durability Performance of Building Constructions.

Current edition approved May 1, 2020. Published May 2020. Originally approved in 1975. Last previous edition approved in 2014 as E546-14. DOI: 10.1520/E0546-14R20.

² For referenced ASTM standards, visit the ASTM website, www.astm.org, or contact ASTM Customer Service at service@astm.org. For *Annual Book of ASTM Standards* volume information, refer to the standard's Document Summary page on the ASTM website.

E631 Terminology of Building Constructions

3. Terminology

3.1 *Definitions*—For definitions of general terms used in this test method, refer to Terminology E631.

3.2 *Definitions of Terms Specific to This Standard:*

3.2.1 *frost/dew point, n*—the temperature at which water, organic vapor, or other chemicals begin to appear on the interior glass surface of a sealed insulating glass unit in contact with the measuring surface of the frost/dew-point apparatus.

3.2.2 *frost state*—the case where the frost/dew point of a sealed insulating glass unit is above the test temperature specified by the purchaser or user.

3.2.3 *no-frost state*—the case where the frost/dew point of a sealed insulating glass unit is below the temperature specified by the purchaser or user.

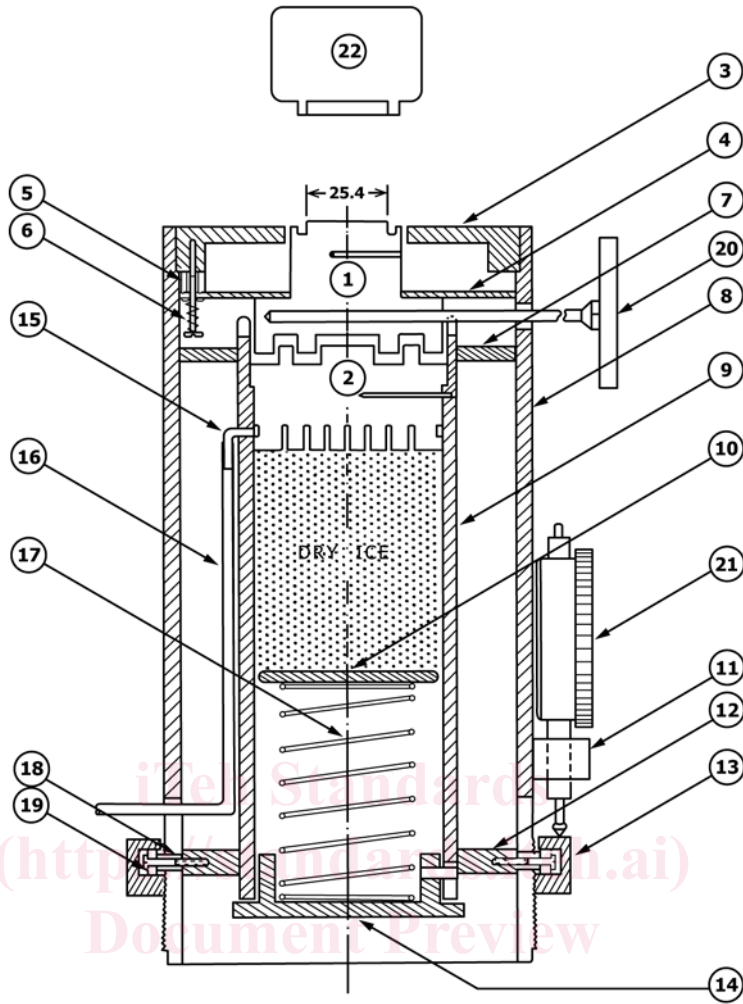
4. Summary of Test Method

4.1 This test method is conducted by the use of a special apparatus, consisting basically of two chilled cylindrical metal blocks positioned one over the other and separated by a gap of controllable distance. The upper block has an exposed flat circular surface, 1 in. (25 mm) in diameter, and can be chilled to far below the ice point by regulating the air-gap distance between it and the lower metal block which is maintained at approximately -109°F (-78°C) by dry ice. The test specimen is placed in contact with this chilled flat circular surface of the upper block for specified short periods of time, with the metal surface at successively lower temperatures, to determine at what temperature frost appears on the corresponding lower air space glass surface.

5. Significance and Use

5.1 This test method and the apparatus described are intended primarily for sealed insulating glass units positioned horizontally. If the procedure is applied to such units in other than a horizontal position, the results may not be comparable to those obtained by this procedure.

NOTE 1—A similar method is Test Method E576.



ASTM E546 – 14 (2020) Parts List

Part No.	Nomenclature	Part No.	Nomenclature
1	upper metal block	12	supporting ring, bottom of inner tube
2	lower metal block	13	control ring
3	top cover	14	cover lid, inner tube
4	supporting plate, upper metal block	15	elbow
5	spacer	16	tube, nylon
6	spring, upper metal block	17	main spring
7	supporting plate, top of inner tube	18	spacer
8	outer tube	19	bearing
9	inner tube	20	bimetallic dial thermometer
10	disk, dry ice pushing	21	dial indicator
11	clamp, dial gage	22	heat source block

FIG. 1 Schematic Diagram of Frost/Dew-Point Apparatus

6. Apparatus

6.1 *Test Apparatus*³ (see Fig. 1), consisting of upper and lower cylindrical metal blocks with a thermocouple, bimetallic thermometer, or other suitable temperature sensors being

³ The sole source of supply of the apparatus known to the committee at this time is Dennis Industries, 20032 Waynegarden Court, Germantown, MD 20874, <http://www.dennisind.com>. If you are aware of alternative suppliers, please provide this information to ASTM International Headquarters. Your comments will receive careful consideration at a meeting of the responsible technical committee,¹ which you may attend.

inserted in the upper block; a control ring; and an insulated containment cylinder fitted with a retainer spring assembly. The two metal blocks are separated by a small air gap, the distance of which can be regulated by the control ring. The exposed flat circular surface of the upper block is 1 in. (25 mm) in diameter; has a ground or lapped finish; and, when placed in contact with the glass test specimen, forms the frost/dew point measuring surface. The lower block is chilled by a dry ice pack kept in contact with it by the retainer spring assembly, maintaining it at a temperature near to that of sublimating dry

ice (−109 °F (−78 °C)). Because the solid metal blocks are highly conductive, the temperature of each is virtually uniform. Use of the control ring adjusts the air gap distance between the two blocks to give the desired thermal resistance across the air gap. The circular measuring surface of the upper block is thus readily adjusted to the desired temperature while in contact with the test specimen. The circular measuring surface diameter specified is suitable for frost/dew point measurement of glass up to ¼ in. (6.0 mm) thick.

6.1.1 *Upper and Lower Metal Blocks*, aluminum alloy that may be anodized, conforming to the dimensions shown in Fig. 1. Other parts of the apparatus may be fabricated from any appropriate materials.

6.1.2 *Calibrated Temperature-Measuring Device*; such as a thermocouple, thermistor, or bimetallic thermometer; having a suitable range graduated in 2 °F (1 °C) or smaller units; and an accuracy of ±1 °F (±0.5 °C) over the full scale. A suggested calibration of the bimetallic thermometer is described in Appendix X1.

6.1.3 The size of the temperature measuring probe shall match the bore size drilled into the aluminum head in order to ensure proper temperature measurements.

7. Test Specimen

7.1 The specimen to be tested shall be representative of the units to be evaluated and capable of being positioned horizontally.

8. Conditioning

8.1 Prior to testing, condition the test specimen at a temperature of 75 °F ± 5 °F (24 °C ± 3 °C) for not less than 24 h.

9. Procedure

9.1 Preparation of Apparatus:

9.1.1 Disassemble the apparatus by taking out the dry ice container and retainer spring assembly. Carefully clean the measuring surface with a soft cloth or paper. Do not scratch the measuring surface. Wipe and clean the apparatus thoroughly if any moisture is condensed on the surfaces and walls.

9.1.2 Assemble the dry ice container and turn the control ring so that the air gap distance between upper and lower metal blocks is about 0.5 in. (13 mm). Invert the apparatus onto a soft cloth.

9.1.3 Spray alcohol or acetone (**Warning**—Both alcohol and acetone are flammable.) on the fin of the dry ice container to ensure good contact with the dry ice. Compactly charge the container with the crushed or pulverized dry ice up to the “full” mark. Compress the dry ice with the spring assembly and lock the cover lid.

9.1.4 Return the apparatus to an upright position and secure it onto a horizontal surface. Allow sufficient time for the temperature of the lower metal block to approach that of the dry ice temperature.

9.2 Recharging of Apparatus:

9.2.1 During the test procedure, replenish the supply of dry ice whenever it becomes depleted by turning the apparatus

upside down on a soft cloth, opening the cover lid, taking out the retainer spring assembly, and repeating steps 9.1.3 and 9.1.4.

9.3 Determination of Frost State and No-Frost State:

9.3.1 Charge the frost/dew point apparatus with dry ice as described in 9.1 or 9.2.

9.3.2 Clean both exterior surfaces of the specimen.

9.3.3 Due to the changes in the cold plate design the use of the aluminized polyester film is no longer a requirement. However it is still recommended in order to ensure a pristine viewing surface.

9.3.4 If the reflective film is used, use the following procedure: Place a piece of silver-colored aluminized polyester film³ (highly reflective mirror surface, not thicker than 0.003 in. (0.08 mm) and 1 in. (25 mm) in diameter or 1 in. by 1 in. (25 mm by 25 mm) on the measuring surface by wetting both surfaces of the film with acetone or alcohol (**Warning**—See 9.1.3). Center the specimen on the apparatus. Examine the lower air space glass surface in the region where frost is to be deposited, to be aware of any dirt or other foreign particles that might be mistaken for frost. Note, however, that a small foreign particle on the lower air space glass surface may be helpful in focusing on the surface where the frost is to be deposited (see Fig. 2).

9.3.5 Slowly reduce the air gap distance between upper and lower metal blocks by turning the control ring while watching the temperature of the upper metal block.

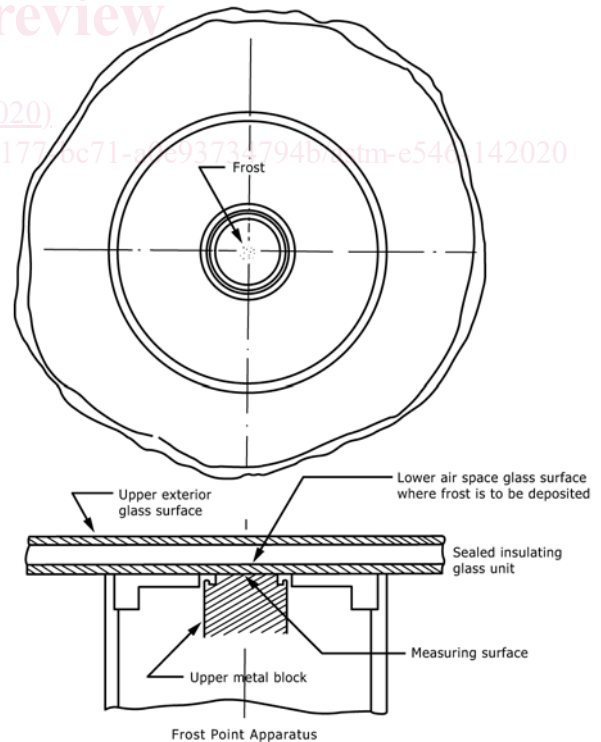


FIG. 2 Cross Section of Sealed Insulating Glass Unit for Frost/Dew Point Measurement

9.3.6 Bring the temperature of the upper metal block to the temperature to be checked for frost and stabilize it by fine adjustment of the control ring. Temperature fluctuation should not exceed 2 °F (± 1 °C).

9.3.7 Maintain the stabilized temperature for a duration as follows:

Glass Thickness Designation, in. (mm)	Stabilized Temperature—Duration, min
1/8 (2.5)	3
1/6 (3.0)	3
3/16 (5.0)	4
1/4 (6.0)	5

NOTE 2—See Specification C1036 for glass thickness tolerances.

9.3.8 Wipe off the condensation that may have occurred on the upper exterior surface of glass, or spray the upper surface with clear water.

9.3.9 Examine the lower air space glass surface in contact with the measuring surface for frost. Illuminate this surface with a fluorescent desk lamp (two 15 W daylight bulbs), or equivalent for better detection of frost (see Fig. 3).

9.3.10 If a clearly visible frost deposit appears on the lower air space glass surface during or after the temperature stabilization period, the frost/dew point of the specimen is above this stabilized temperature (frost state) (see Fig. 4 for frost formation). Check for double image of the frost to assure that the frost lies on the lower air space glass surface (see Fig. 4B). If the frost deposit is so small and faint that it cannot be distinguished from dirt or other foreign particles, lower the temperature of the measuring surface by 2 °F (1 °C) and hold this value for the duration given in 9.3.7. Reexamine the suspected particles. If the deposit is frost, its size or population will grow or get heavier.

9.3.10.1 Frost/dew point determination as described in 9.3.10 is difficult to observe on reflective glass. It is acceptable to lift the specimen off the tester and observe for frost by

viewing the unit when held up to light. The observation shall be made within 5 s of removal from the tester.

9.3.11 If frost does not appear after the temperature stabilization period, the frost/dew point of the specimen is below this stabilized temperature (no-frost state).

9.3.12 To check at other temperatures, repeat the test procedure described in 9.3.4 – 9.3.11 for the temperatures desired.

9.4 Determination of Approximate Frost/Dew-Point Range:

9.4.1 Perform a series of measurements as described in 9.3 at successively lower temperatures until frost state is proven. Temperature intervals of 20 °F (10 °C) are preferable: for example, 20 °F (–10 °C), 0 °F (–20 °C), –20 °F (–30 °C), –40 °F (–40 °C), –60 °F (–50 °C), and –80 °F (–60 °C) as described in 9.3. Other temperature levels can be checked as desired. The frost/dew point will be between the temperature at which frost appeared and the next higher temperature.

9.4.2 When the frost/dew-point range can be predicted by experience (newly fabricated specimen, and so forth), only the temperatures bracketing the predicted frost/dew point need be checked.

9.4.3 Estimate the frost/dew point of the specimen within the temperature range between frost and no-frost found in 9.4.1 by comparing the frost at the lower temperature limit (frost state) with the reference photograph (see Fig. 4) of similar temperature range.

9.5 Final Measurement of Frost/Dew Point:

9.5.1 Perform a series of no-frost, frost state measurements described in 9.4 by starting at a few degrees Celsius above the estimated frost/dew point. Lower the temperature by intervals of less than 3 °F (2 °C) (preferably 2 °F (1 °C)). If frost appears at the first starting temperature, reestimate the frost/dew point using Fig. 4 and repeat the test.



FIG. 3 Frost/Dew-Point Test Apparatus in Use