



Designation: **C1277—18 C1277 – 20**

Standard Specification for Shielded Couplings Joining Hubless Cast Iron Soil Pipe and Fittings¹

This standard is issued under the fixed designation C1277; the number immediately following the designation indicates the year of original adoption or, in the case of revision, the year of last revision. A number in parentheses indicates the year of last reapproval. A superscript epsilon (ϵ) indicates an editorial change since the last revision or reapproval.

1. Scope

1.1 This specification covers the materials and testing of shielded hubless couplings to join hubless cast iron soil pipe and fittings.

1.2 Several different types of hubless couplings are available for use in hubless cast iron sanitary and storm drain, waste, and vent piping applications to connect hubless cast iron soil pipe and fittings by using a sleeve-type, or some other type coupling device. It is the purpose of this specification to furnish information as to the characteristics of one such sleeve-type couplings when applied to cast iron soil pipe and fittings manufactured in accordance with Specification **A888**, latest revision, and ~~CISPI-301~~, CISPI 301, latest revision.

1.3 The values stated in inch-pound units are to be regarded as standard. The values given in parentheses are mathematical conversions to SI units that are provided for information only and are not considered standard.

1.4 The committee with jurisdiction over this standard is aware of other comparable standard published by the Cast Iron Soil Pipe Institute, ~~CISPI-310~~, CISPI 310, FM 1680 published by Factory Mutual, and Specification **C1540** published by ASTM.

1.5 The following precautionary caveat pertains only to the test method portion, Section 7, of this specification. *This standard does not purport to address all of the safety concerns, if any, associated with its use. It is the responsibility of the user of this standard to establish appropriate safety, health, and environmental practices and determine the applicability of regulatory limitations prior to use.*

1.6 *This international standard was developed in accordance with internationally recognized principles on standardization established in the Decision on Principles for the Development of International Standards, Guides and Recommendations issued by the World Trade Organization Technical Barriers to Trade (TBT) Committee.*

2. Referenced Documents

- <https://www.astm.org/standards/sist/69da0626-1af9-404a-97cf-f5963384eb19/astm-c1277-20>
- A240/A240M** Specification for Chromium and Chromium-Nickel Stainless Steel Plate, Sheet, and Strip for Pressure Vessels and for General Applications
- A644** Terminology Relating to Iron Castings
- A888** Specification for Hubless Cast Iron Soil Pipe and Fittings for Sanitary and Storm Drain, Waste, and Vent Piping Applications
- C564** Specification for Rubber Gaskets for Cast Iron Soil Pipe and Fittings
- C1540** Specification for Heavy-Duty Shielded Couplings Joining Hubless Cast Iron Soil Pipe and Fittings
- D395** Test Methods for Rubber Property—Compression Set
- D412** Test Methods for Vulcanized Rubber and Thermoplastic Elastomers—Tension
- D471** Test Method for Rubber Property—Effect of Liquids
- D573** Test Method for Rubber—Deterioration in an Air Oven
- D624** Test Method for Tear Strength of Conventional Vulcanized Rubber and Thermoplastic Elastomers
- D1149** Test Methods for Rubber Deterioration—Cracking in an Ozone Controlled Environment
- D2240** Test Method for Rubber Property—Durometer Hardness

¹ This specification is under the jurisdiction of ASTM Committee **A04** on Iron Castings and is the direct responsibility of Subcommittee **A04.75** on Gaskets and Coupling for Plumbing and Sewer Piping.

Current edition approved Feb. 1, 2018 May 1, 2020. Published February 2018 May 2020. Originally approved in 1994. Last previous edition approved in 2015 2018 as ~~C1277 – 15~~ ~~C1277 – 18~~. DOI: ~~10.1520/C1277-18~~ ~~10.1520/C1277-20~~.

² For referenced ASTM standards, visit the ASTM website, www.astm.org, or contact ASTM Customer Service at service@astm.org. For *Annual Book of ASTM Standards* volume information, refer to the standard's Document Summary page on the ASTM website.

D3677 Test Methods for Rubber—Identification by Infrared Spectrophotometry

2.2 *CISPI Standards:*³

~~CISPI-301~~ **CISPI 301** Specification for Hubless Cast Iron Soil Pipe and Fittings for Sanitary and Storm Drain, Waste, and Vent Piping Applications

~~CISPI-310~~ **CISPI 310** Specification for Couplings for Use in Connection with Hubless Cast Iron Soil Pipe and Fittings for Sanitary and Storm Drain, Waste, and Vent Piping Applications

2.3 *Factory Mutual Standard:*⁴

FM 1680 Couplings Used in Hubless Cast Iron Systems for Drain, Waste or Vent, Sewer, Rainwater or Storm Water System, Above or Below Ground, Industrial, Commercial and Residential

3. Terminology

3.1 Definitions of the following terms used in this specification are found in Terminology **A644**: *elastomeric* and *durometer*.

3.2 *Definitions of Terms Specific to This Standard:*

3.2.1 *center stop, n*—an integral part of the gasket centered on the axial length of the gasket, intended to limit the insertion depth of the pipe to be coupled.

3.2.2 *clamp assembly, n*—that portion of the coupling excluding the gasket and shield.

3.2.3 *corrugated, n*—any method of embossing.

3.2.4 *coupling, n*—the complete assembly.

3.2.5 *fitting, n*—parts of a pipeline other than straight pipes, valves, or couplings.

3.2.6 *gasket, n*—the elastomeric portion of the coupling.

3.2.7 *joint, n*—the point of assembly consisting of the coupling and the joined pipes or fittings, or both.

3.2.8 *manufacturer clamp assembly and shield, n*—the entity that attaches the clamp assembly to the shield for the couplings covered by this standard specification.

3.2.9 *manufacturer gaskets, n*—the entity that molds the gaskets covered by this standard specification.

3.2.10 *shield, n*—an external metallic protective device designed to protect the sealing gasket from external elements that could cause failure of the sealing gasket.

4. Materials and Manufacture

4.1 Physical properties of gaskets shall comply with Specification **C564** and the dimensions, material specifications, and physical and chemical properties as shown in **Figs. 1-2** and **Tables 1 and 2**.

4.2 Clamp assembly screws or bolts shall not have screwdriver slots.

5. Elastomeric Gasket Requirements

5.1 The gaskets shall be tested in accordance with Test Methods **D3677** and be manufactured from a properly vulcanized virgin compound where the primary elastomer is polychloroprene (neoprene).

5.2 The elastomeric gasket shall consist of one piece conforming to the physical requirements of Specification **C564**. The gaskets shall be tested by the gasket manufacturer for compliance to Specification **C564** during each day of production not to exceed 24 h for each size of gasket being produced. These tests shall be performed at the manufacturer's location during the time of production. These tests shall include hardness, elongation and tensile strength, tear strength, and compression set. Heat aging, water absorption, ozone resistance, and oil immersion tests shall be performed annually or when the formulation changes or sources of supply change, whichever occurs first.

5.2.1 The elastomeric gasket shall have an inside center stop that does not create an enlargement chamber or recess with a ledge, shoulder, or reduction of pipe area or offer an obstruction to flow.

5.2.2 The elastomeric gasket shall be free of defects that affect the use and serviceability.

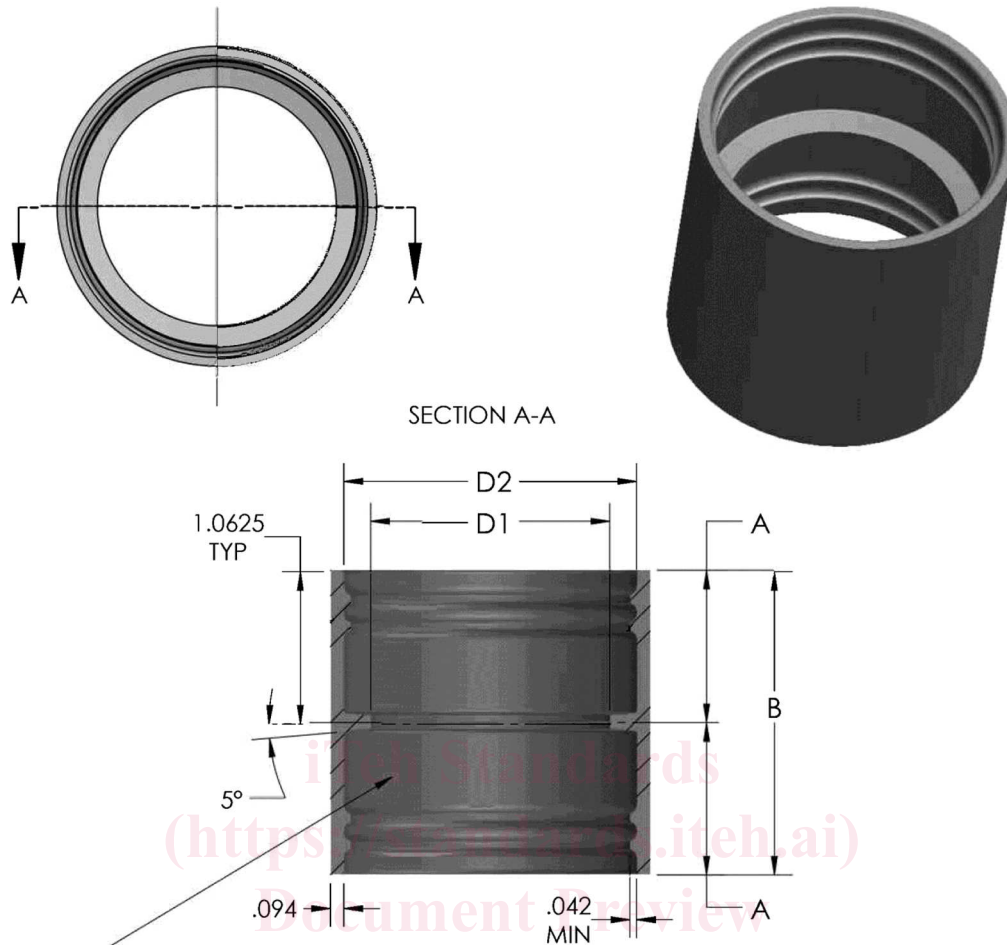
6. Clamp Assembly Requirements

6.1 The shield and clamp assembly shall be made of material conforming to the requirements as outlined in Section **6**, **Table 3**, and **Fig. 3**.

6.1.1 All parts shall be of 300 series stainless steel. All parts made from round stock shall be of 300 series stainless steel (excluding copper-bearing alloys). The shield shall be corrugated or otherwise provided with a mechanism to accommodate maximum and minimum ODs of pipe and fittings and include two stainless steel bands for sizes 1½ to 4 in., four bands for 5 to 10 in., and six bands for 12 and 15 in. Each tightening device housing shall interlock with a band at the unslotted end. The bands

³ Available from Cast Iron Soil Pipe Institute (CISPI), 2401 Fieldcrest Dr., Mundelein, IL 60060, <http://www.cispi.org>.

⁴ Available from Factory Mutual Research, 1151 Boston-Providence Turnpike, Norwood, MA, 02062.



MARKINGS SHALL BE BETWEEN SEALING BEADS ANND CETER STOP
 MARKINGS MAY BE ON BOTH SIDES OF CENTER STOP

FIG. 1 Rubber Gasket

<https://standards.iteh.ai/catalog/standards/sis/6910626-1a9-404a-97cf-f5963384eb19/astm-c1277-20>

are to be fastened to the shield by riveting or such other method that will ensure that the bands will not become separated from the shield. The shield and clamp assembly shall comply with dimensions and material specifications as given in **Table 3** and **Figs. 3 and 4**.

6.1.2 Clamp assemblies shall be tested to withstand no less than 125 % of the manufacturer’s stated installation torque or a minimum of 60 lbf-in. (6.78 N·m) of applied torque, whichever is greater, without visible signs of failure. The clamp assembly shall be tested over a steel mandrel of the appropriate diameter and torqued as required. These tests shall be performed randomly on selected samples during the course of production as needed, but not less than one clamp per shift per size during band production.

6.1.3 The clamped shield shall meet the requirements of **Table 3**.

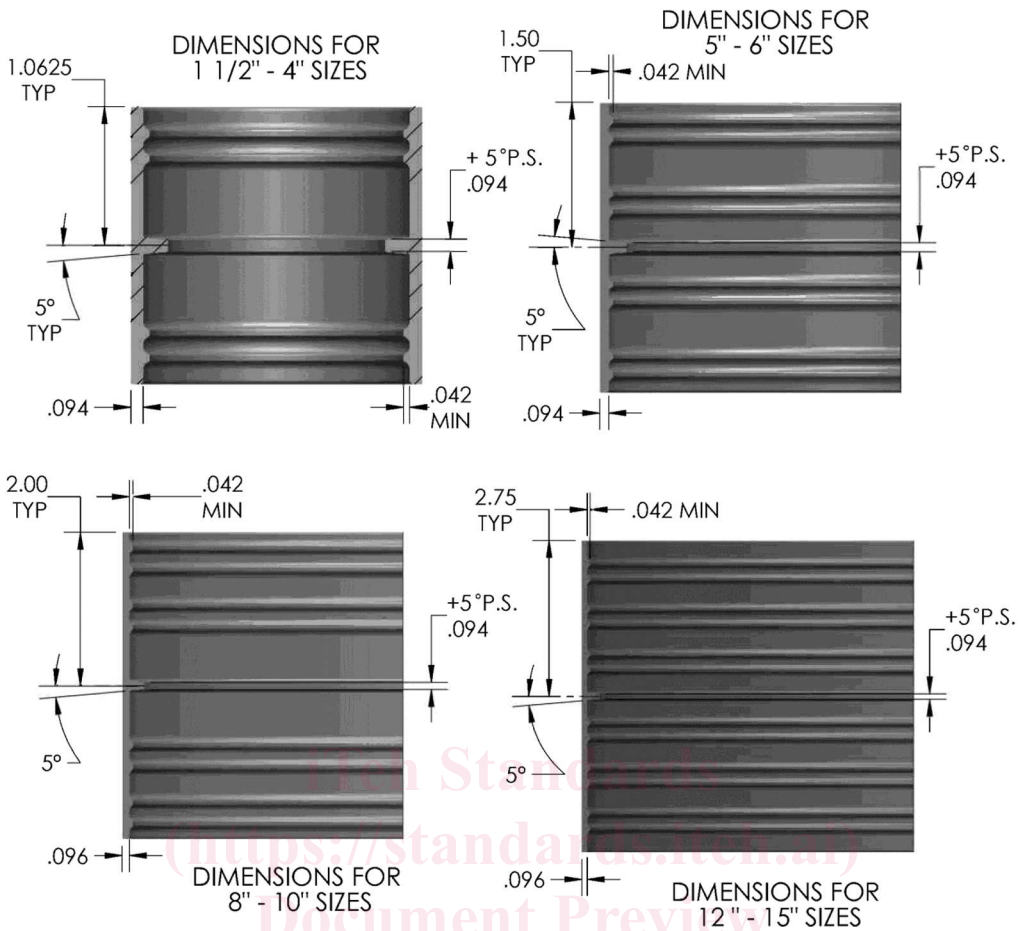
6.1.4 The couplings shall meet the dimensional requirements of **Fig. 3**.

7. Couplings Requirements and Test Methods

7.1 Assemble each coupling tested according to the manufacturer’s instructions between two sections of randomly selected hubless cast iron soil pipe meeting the requirements of **CISPI-301-CISPI 301** or Specification **A888** and conduct the following tests: deflection and shear. In addition, an unrestrained hydrostatic test will be performed between two sections of machined steel pipe. The unrestrained hydrostatic tests shall be performed on randomly selected couplings of each size during the course of production using first article selection not to exceed 30 days. The deflection and shear tests shall be performed on randomly selected couplings of each size during production whenever a change of design occurs or not to exceed 120 days, whichever is the shorter period.

7.1.1 Deflection Test:

7.1.1.1 A test apparatus such as the one shown in **Fig. 5** is suggested. Other testing apparati that provide restraint to the assembly shall also be permitted. Close the outboard ends of the pipe with test plugs.



NOTE 1—Dimensions found in these drawings are for informational purposes only. The dimensions A and B found in the table are mandatory. Dimensions D1 and D2 found in the table are reference for mold design. Tolerances are found in Fig. 2. The center stop width is (3/32) .094 plus the 5° draft angle. Sealing ring shape and dimensions are to manufacturer's design.

	1½ in.	2 in.	3 in.	4 in.	5 in.	6 in.	8 in.	10 in.	12 in.	15 in.
A	1.062	1.062	1.062	1.062	1.500	1.500	2.000	2.000	2.750	2.750
B	2.125	2.125	2.125	2.125	3.000	3.000	4.000	4.000	5.500	5.500
D1	1.531	1.968	2.968	4.000	4.968	5.968	7.968	9.975	12.000	15.200
D2	1.937	2.343	3.343	4.406	5.343	6.343	8.343	10.350	12.430	15.650

NOTE 1—Dimensions found in these drawings are for informational purposes only. The dimensions A and B found in the table are mandatory. Dimensions D1 and D2 found in the table are reference for mold design. Tolerances are found in Fig. 2. The center stop width is (3/32) 0.094 plus the 5° draft angle. Sealing ring shape and dimensions are to manufacturer's design.

NOTE 2—Dimensional tolerances to be RMA Class 3 (see Table 1).

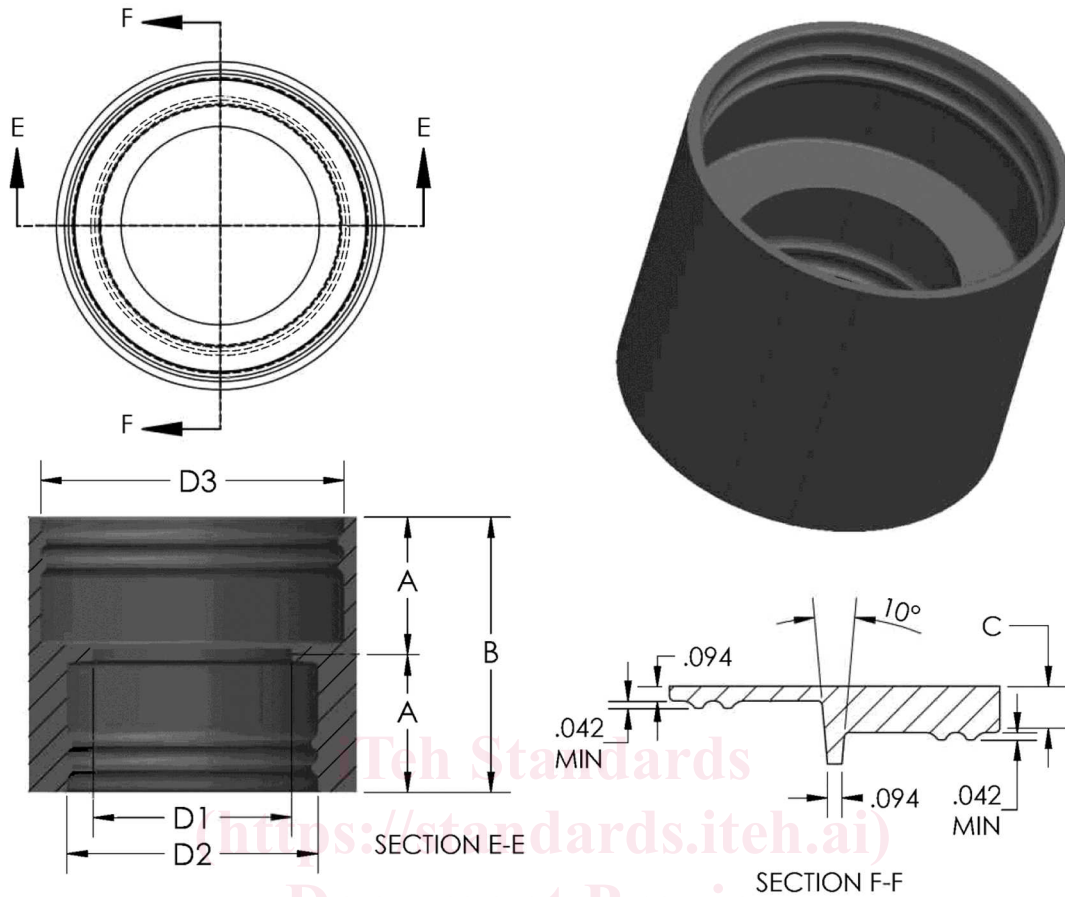
FIG. 1 Rubber Gasket (continued)

7.1.1.2 Fill the assembly with water, expel all air, and hydrostatically pressurize to 4.3 psi (29.6 kPa) for the duration of the test. One pipe shall be rigidly supported and, while the assembly is under pressure, raise the opposite end of the other pipe ½ in. (12.7 mm) per lineal foot of pipe. Maintain the pressure for 5 min. Any leakage shall mean failure.

7.1.2 Shear Test:

7.1.2.1 Support two joined lengths of randomly selected hubless cast iron soil pipe on blocks, a minimum of 1½ in. (38.1 mm) high, at three locations. One length shall be a minimum of 24 in. (609.6 mm) in length, supported on blocks, one near the uncoupled end, and the other immediately adjacent to the couplings. Firmly restrain this length in position as shown in Fig. 6. The other coupled length shall be a minimum of 5 ft (1.52 m) in length and supported by a single block 6 in. (152.4 mm) from the end of the pipe.

7.1.2.2 Fill the assembly with water and expel all air. Apply a load of 50 lb/in. of nominal diameter at a point 6 in. (152.4 mm) from the edge of the coupling upon a 12-in. (304.8-mm) length of (3 by 3) angle iron or load distribution pad located on the top of the pipe immediately adjacent to the coupling of the pipe having one support only. Under this loading there shall be no visible



NOTE 1—Dimensions found in these drawings are for informational purposes only. The dimensions found in the table are mandatory. Tolerances are found in Fig. 2. Sealing ring shape and dimensions are to manufacturer’s design.

	Dimensions for Reducing Sleeves		
	2 × 1½	3 × 2	4 × 3
A	1.062	1.062	1.062
B	2.125	2.125	2.125
C	0.297	0.594	0.625
D1	1.531	1.968	2.968
D2	1.937	2.343	3.343
D3	2.343	3.343	4.406

NOTE 1—Dimensions found in these drawings are for informational purposes only. The dimensions found in the table are mandatory. Tolerances are found in Fig. 2. Sealing ring shape and dimensions are to manufacturer’s design.

NOTE 2—Dimensional tolerances to be RMA Class 3 (see Table 1).

FIG. 2 Reducing Rubber Gasket

leakage or displacement of more than 3/8 in. (9.53 mm) from true alignment adjacent to the coupling, when an internal pressure equivalent to a 10-ft (3.05-m) head of water 4.3 psi (29.6 kPa) is applied. Maintain the load and internal pressure for 15 min.

7.1.3 Unrestrained Hydrostatic Test:

7.1.3.1 Assemble each coupling tested according to the manufacturer’s instruction between two sections of machined steel pipe and conduct the thrust test.

7.1.3.2 The assembly shall consist of a maximum outside diameter pipe connected to a minimum outside diameter pipe with diameters as referenced in Table 4 and lengths as shown in Fig. 7. Machine the plain ends of the pipe to be used for the thrust test to the correct diameters. Plain ends shall have 0.015-in. (0.38-mm) deep grooves machined circumferentially around them at 1/8-in. (3.18-mm) intervals down the pipe section for a distance equal to that covered by the elastomeric sleeve of the coupling being tested. The tool used to machine the grooves shall have a 60° inclined angle and cut into the pipe from a perpendicular position. The surface between the grooves shall be a lathe-turned surface of 125 RMS.

7.1.3.3 The plain ends of the pipe for the thrust test shall be uncoated and cleaned with acetone and thoroughly dried before each assembly.

7.1.4 Test Method:

TABLE 1 Dimensional Tolerances for Rubber —Standard Dimensional Tolerances RMA CLASS 3

Size, in.	Fixed, ±	Closure, ±
0 to 0.499	0.010	0.015
0.500 to 0.999	0.010	0.018
1.000 to 1.999	0.015	0.020
2.000 to 2.999	0.020	0.025
3.000 to 3.999	0.025	0.030
4.000 to 4.999	0.030	0.035
5.000 to 7.999	0.035	0.050

TABLE 1 Dimensional Tolerances for Rubber Gasket Sleeves

Size, in.	Fixed, ±	Closure, ±
1½	0.020	0.050
2	0.020	0.050
3	0.020	0.050
4	0.020	0.050
5	0.025	0.055
6	0.025	0.055
8	0.030	0.063
10	0.030	0.063
12	0.035	0.063
15	0.035	0.063

Note 1—8.000 and over—multiplied by 0.0050. These are commercial tolerances. All diametral dimensions shall have a tolerance of ±1 %.

7.1.4.1 Support the pipe assemblies in a manner that does not restrain joint movement, as shown in Fig. 7.

7.1.4.2 Fill the pipe assembly (as required in 7.1.3) with water, expelling all air. Increase the hydrostatic pressure at a rate of 1 psi (6.9 kPa) every 30 s until the specified test pressure is reached. The specified test pressure shall be 20 psi (137.9 kPa) for 1½ in. (38.1 mm) through 5 in. (127 mm), 18 psi (124.1 kPa) for 6 in. (152.4 mm), 10 psi (68.9 kPa) for 8 in. (203.2 mm), and 6 psi (41.4 kPa) for 10 in. (254 mm) pipe, 12 in. (305 mm), and 15 in. (380 mm) pipe. When the specified test pressure is reached, hold it for 5 min. Any leakage or axial joint movement of more than 0.150 in. (3.81 mm) shall mean failure.

8. Markings and Identification

8.1 *Marking*—The gasket shall be marked with raised letters. This marking shall consist of pipe size, country of origin, manufacturer’s identifying mark, and Specification C564. Such marking shall not exceed 0.02 in. in relief.

8.2 The shield and clamp assembly shall be marked with indented letters. All marking shall be placed on the band assemblies. Marking on the band shall consist of pipe size. Marking on the screw housing shall consist of coupling manufacturer’s name or registered trademark with a national registry of trademarks in the country in which the product is installed, the words ALL STAINLESS, country of origin.

9. Certification

9.1 Upon request, the purchaser, design professional, or the administrative authority having jurisdiction where the products are being installed shall be furnished certification by the manufacturer, manufacturer stating samples representing each lot have been tested and inspected as indicated in this specification and the requirements have been met. If requested by the purchaser, design professional, or the administrative authority having jurisdiction where the products are being installed, certification shall be accompanied by test reports as prepared in accordance with Sections 4 – 8. Certification shall include the legal name and address of each manufacturer. Third-party certifiers or inspectors shall utilize the procedures detailed in Annex A1 when conducting inspections at the manufacturing locations.

10. Keywords

10.1 cast iron soil pipe; hubless couplings; no-hub couplings; no-hub pipe

TABLE 2 Rubber Gasket Physical Requirements

NOTE 1—Material: The sealing sleeve shall be made from an elastomeric compound that meets the requirements of Specification C564.

NOTE 2—Physical Tests: tests: The test specimens shall be obtained from finished sleeves and tested pursuant to the methods described in the following table.

Test	Physical Tests, Min or Max Requirements	ASTM Test Method
Tensile Strength	1500 psi min	D412
Elongation	250 min	D412
Durometer (Shore A)	70 ± 5 at 76 ± 5 °F	D2240
Accelerated Aging	15 % max tensile and 20 % max elongation deterioration, 10 points max; increase in hardness, all determinations after oven aging for 96 h at 158 °F	D573
Compression Set	25 % max after 22 h at 158 °F	D395 Method B
Oil Immersion	80 % max. volume change after immersion in ASTM oil no. IRM903 for 70 h at 212 °F	D471
Ozone Cracking	No visible cracking at 2 times magnification of the gasket after 100 h. Exposure in 1.0 ppm ozone concentration at 100 °F. Testing and inspection to be on gasket which is loop mounted to give approximately 20 % elongation of outer surface	D1149
Tear Resistance	Die C; 150 lb min per inch of thickness	D624
Water Absorption	20 % max by weight after 7 days at 158 °F	D471

TABLE 3 Material Specifications^{A,B,C,D,E}

Band	Type 301 AISI stainless steel—minimum tensile 140 000 psi for 1½ to 15 in.; Type 304 AISI stainless steel is permitted
Band	Type 301 AISI stainless steel—minimum tensile 140 000 psi for 1½ to 15 in.; Type 304 AISI stainless steel is permitted Type 304 AISI stainless steel—minimum tensile 140 000 psi Type 304 AISI stainless steel—minimum tensile 140 000 psi
Eyelets/Rivets	Type 300 grade AISI stainless steel
Screw Housing	Type 301 AISI stainless steel for 1½ to 15 in.; Type 304 AISI stainless steel is permitted
Screw	Type 305 AISI and or Type 304L annealed stainless steel—5/16 hex head/shoulder for 1½ to 10 in.; 3/8 hex head/shoulder for 12 and 15 in. is required for couplings which require installed torque greater than 60 in.-lb
Screw	Type 305 AISI and or Type 304L annealed stainless steel—5/16 hex head/shoulder for 1½ to 10 in.; 3/8 hex head/shoulder for 12 and 15 in. is required for couplings which require installed torque greater than 60 in.-lb When other than 3/8-in. hex head screw is used on 12 and 15-in. couplings, the coupling shall be labeled with the required installation torque
Shield	Type 301 AISI and or Type 304 AISI stainless steel—bright annealed only (annealed and pickled not acceptable)
Shield	Type 301 AISI and or Type 304 AISI stainless steel—bright annealed only (annealed and pickled not acceptable) Hardness—Rockwell B-100 (Vickers 240) per A240/A240M max (max burr height not to exceed 25 % of thickness) Hardness—Rockwell B-100 (Vickers 240) per A240/A240M max (max burr height not to exceed 25 % of thickness)

^A Construction for sizes 1½ thru 10 in. shields have corrugations tapering in height from 0.000 to 0.030 in. at dimension “Y.” Y equals maximum of 1 in. (Type A only).

(1) Construction for sizes 1½ thru 10 in. shields have corrugations tapering in height from 0.000 to 0.030 in. at dimension “Y.” Y equals maximum of 1 in. (Type A only).

(2) Position clamps on shield as shown from inside end of clamp. Shield overlap to be as shown or reversed on 5, 6, 8, 10, 12, and 15 in. only.

(3) Securely fasten each clamp to shield, two places for sizes 1½ to 4 in., three places for sizes 5, 6, 8, 10, 12, and 15 in.

(4) Details of detent on 5, 6, 8, and 10-in. bands are shown in Fig. 4 (optional for 12 and 15 in.).

(5) Max “X” is that dimension to which the clamp must open and still maintain positive engagement of the screw in the slots of the clamping band. Min. “X” is that dimension to which the clamping band must close and still maintain positive engagement of the screw in the slots of the clamping band.

^B Position clamps on shield as shown from inside end of clamp. Shield overlap to be as shown or reversed on 5, 6, 8, 10, 12, and 15 in. only.

^C Securely fasten each clamp to shield, two places for sizes 1½ to 4 in., three places for sizes 5, 6, 8, 10, 12, and 15 in.

^D Details of detent on 5, 6, 8, and 10-in. bands are shown in Fig. 4 (optional for 12 and 15 in.).

^E Max “X” is that dimension to which the clamp must open and still maintain positive engagement of the screw in the slots of the clamping band. Min. “X” is that dimension to which the clamping band must close and still maintain positive engagement of the screw in the slots of the clamping band.