



Designation: D5615 – 20

Standard Test Method for Operating Characteristics of Home Reverse Osmosis Devices¹

This standard is issued under the fixed designation D5615; the number immediately following the designation indicates the year of original adoption or, in the case of revision, the year of last revision. A number in parentheses indicates the year of last reapproval. A superscript epsilon (ϵ) indicates an editorial change since the last revision or reapproval.

1. Scope

1.1 This test method covers determination of the operating characteristics of home reverse osmosis devices using standard test conditions. It does not necessarily determine the characteristics of the devices operating on natural waters.

1.2 This test method is applicable for spiral-wound devices.

1.3 The values stated in SI units are to be regarded as standard. The values given in parentheses after SI units are provided for information only and are not considered standard.

1.4 *This standard does not purport to address all of the safety concerns, if any, associated with its use. It is the responsibility of the user of this standard to establish appropriate safety, health, and environmental practices and determine the applicability of regulatory limitations prior to use.*

1.5 *This international standard was developed in accordance with internationally recognized principles on standardization established in the Decision on Principles for the Development of International Standards, Guides and Recommendations issued by the World Trade Organization Technical Barriers to Trade (TBT) Committee.*

2. Referenced Documents

2.1 *ASTM Standards:*²

[D512 Test Methods for Chloride Ion In Water](#)

[D1125 Test Methods for Electrical Conductivity and Resistivity of Water](#)

[D1129 Terminology Relating to Water](#)

[D1193 Specification for Reagent Water](#)

[D1293 Test Methods for pH of Water](#)

[D2777 Practice for Determination of Precision and Bias of Applicable Test Methods of Committee D19 on Water](#)

[D4194 Test Methods for Operating Characteristics of Reverse Osmosis and Nanofiltration Devices](#)

[D4516 Practice for Standardizing Reverse Osmosis Performance Data](#)

[D6161 Terminology Used for Microfiltration, Ultrafiltration, Nanofiltration, and Reverse Osmosis Membrane Processes](#)

3. Terminology

3.1 *Definitions:*

3.1.1 For definitions of terms used in this standard, refer to Terminology [D1129](#).

3.1.2 For descriptions of terms relating to reverse osmosis, refer to Test Methods [D4194](#) and Terminology [D6161](#).

4. Summary of Test Method

4.1 This test method consists of determining the permeate flow rate and sodium chloride rejection for reverse osmosis devices at 345-kPa (50-psi) feed gauge pressure, 25°C and 22 % conversion using an aqueous 300-mg/L sodium chloride solution.

5. Significance and Use

5.1 Home reverse osmosis devices are typically used to remove salts and other impurities from drinking water at the point of use. They are usually operated at tap water line pressure, with water containing up to several hundred milligrams per litre of total dissolved solids. This test method permits measurement of the performance of home reverse osmosis devices using a standard set of conditions and is intended for short-term testing (less than 24 h). This test method can be used to determine changes that may have occurred in the operating characteristics of home reverse osmosis devices during use, but it is not intended to be used for system design. This test method does not necessarily determine the device's performance when solutes other than sodium chloride are present. Use Practice [D4516](#) and Test Methods [D4194](#) to standardize actual field data to a standard set of conditions.

5.2 This test method is applicable for spiral-wound devices.

¹ This test method is under the jurisdiction of ASTM Committee [D19](#) on Water and is the direct responsibility of Subcommittee [D19.08](#) on Membranes and Ion Exchange Materials.

Current edition approved May 1, 2020. Published May 2020. Originally approved in 1994. Last previous edition approved in 2007 as D5615 – 07^{e1} which was withdrawn July 2016 and reinstated in May 2020. DOI: 10.1520/D5615-20.

² For referenced ASTM standards, visit the ASTM website, www.astm.org, or contact ASTM Customer Service at service@astm.org. For *Annual Book of ASTM Standards* volume information, refer to the standard's Document Summary page on the ASTM website.

6. Apparatus

6.1 The apparatus for the test method is described schematically in Fig. 1. A conductivity meter can be used to determine the salt concentration in accordance with Test Methods D1125.

6.2 Installation:

6.2.1 Materials of construction shall preferably be of plastic or stainless steel (use 316 or better to minimize corrosion) for all wetted parts to prevent contamination of the feed solution by corrosion products. Do not use reactive piping material such as plain carbon steel, galvanized or cadmium-plated carbon steel, and cast iron for piping. Ensure that no contamination will occur from oil films on new metal piping, release agents on raw plastic components, or feed solutions used in the system previously. Whether stainless steel or plastic, all pressurized components should be designed based on the manufacturer’s working pressure rating. Review the manufacturer’s rating for compliance with standard engineering practice.

6.2.2 The reverse osmosis testing apparatus is represented schematically in Fig. 1. It consists of a feed holding tank equipped with a thermostated heat exchanger system to maintain the feed solution at the desired temperature, a centrifugal pump, and a home reverse osmosis device. The feed tank is at a higher level than the pump to keep the pump suction flooded. Use a valve with minimum flow restriction to prevent excessive pressure drop (for example, a ball valve or plug valve) for a shut-off valve. The filter can be either a strainer (100 mesh) or a 25- μm filter (based on the supplier’s recommendation). The pressure control valve is a back pressure regulator but can be substituted with a manually operated needle valve. The

concentrate flow is controlled with a needle valve or a capillary tube. The high-pressure shutoff should have a cutoff point at a gauge pressure of approximately 690 kPa (100 psi) or lower if any part of the pressurized system cannot withstand this pressure. The testing apparatus shall be cleaned thoroughly before use to remove contaminants, including microorganisms.

6.3 Instrumentation:

6.3.1 See Fig. 1 for pressure tap locations. Locate these as close as possible to the reverse osmosis device. Use a calibrated transducer or a single gauge equipped with a high-pressure “quick connect” or Taylor plug gauge fitting for measuring individual pressures and the device pressure drop (ΔP). Individual gauges are also satisfactory but are not as reliable as a quick-connect test gauge or a special ΔP gauge.

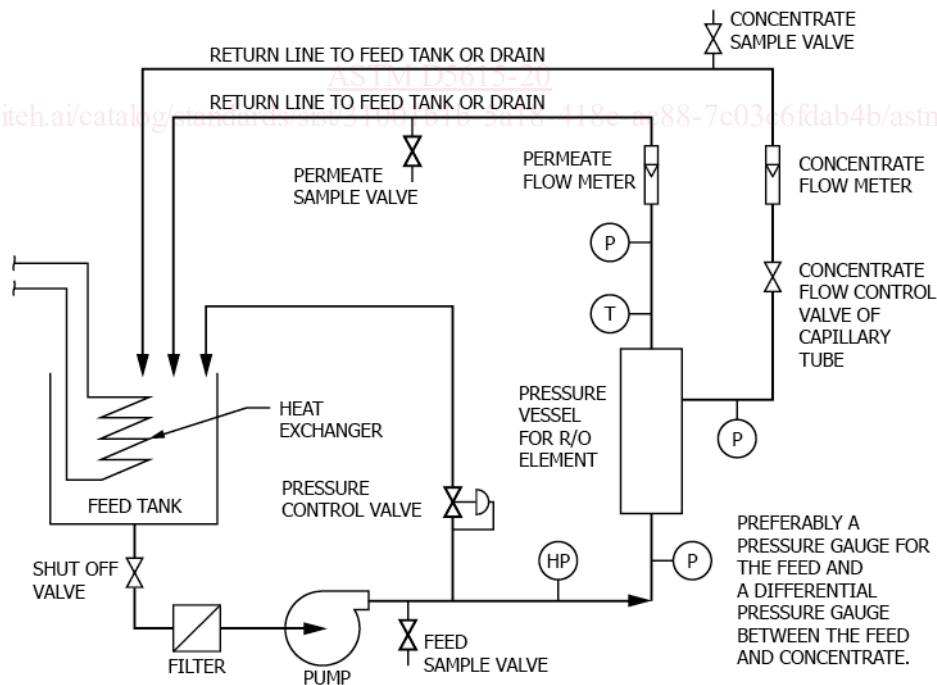
6.3.2 Temperature—The permeate temperature must be measured, and this should be accomplished close to the permeate port. The probe of calibrated dial thermometers or resistance thermometers should be immersed in the flowing permeate.

6.3.3 Flow Meters—Calibrated flow meters are used to measure the concentrate and permeate flows. Alternatively, the flows can be measured volumetrically using a calibrated graduated cylinder and a stopwatch.

6.3.4 pH Meter:

6.3.5 Temperature-Compensated Conductivity/Resistivity Meter:

6.4 Operation—Operate the apparatus by drawing the feed solution from the tank and pumping one part of it directly back to the tank by means of the pressure control valve and the other



P – PRESSURE TAP LOCATION
 T – TEMPERATURE MEASUREMENT LOCATION
 HP – HIGH PRESSURE SHUTOFF PROBE LOCATION

FIG. 1 Flow Schematic of Testing Apparatus

part through the reverse osmosis device under pressure. Return both the permeate stream and the concentrate stream to the feed tank so that its volume and solute concentration remain constant. Direct the return flows in the feed tank to provide adequate mixing. Use the heat exchanger coils in the feed tank to increase the feed to the specified operating temperature and thereafter to remove the energy load generated by the pump.

7. Reagents

7.1 Purity of Reagents—Reagent grade chemicals shall be used in all tests. Unless otherwise indicated, it is intended that all reagents conform to the specifications of the Committee on Analytical Reagents of the American Chemical Society where such specifications are available.³ Other grades may be used, provided it is first ascertained that the reagent is of sufficiently high purity to permit its use without lessening the accuracy of the determination.

7.2 Purity of Water—Unless otherwise indicated, references to water shall be understood to mean reagent water as defined by Type III of Specification **D1193**.

7.3 Sodium Chloride Feed Solution (300 mg/L)—Dissolve sodium chloride in water to make a solution containing 300 ± 10 mg NaCl/L solution. Use Test Methods **D1293** to measure the pH and, if necessary, add HCl solution or NaOH solution to adjust the pH to 7.0 to 7.8.

8. Procedure

8.1 Startup and Operating Procedure:

8.1.1 Make preliminary checks to ensure that all fittings are tight and all components are operational.

8.1.2 Flush the device with water in accordance with the supplier's recommendations to remove sanitizing and winterizing agents from the device. During flushing the concentrate and permeate go to drain.

8.1.3 Pre-wet the membrane in accordance with the supplier's recommendations if recommended.

8.1.4 Fill the tank with feed solution at the proper concentration and temperature.

8.1.5 Open the feed supply valve, concentrate flow control valve, and pressure control valve. Start the pump.

8.1.6 Increase the feed pressure to a gauge pressure of 345 ± 7 kPa (50 ± 1 psi). This is accomplished by first adjusting the concentrate flow control valve to provide a concentrate flow rate in the range from 10 to 30 times the permeate flow rate and then activating the back pressure regulator. If the pressure reaches operating pressure with the flow control valve open completely, the flow rate through the reverse osmosis device can be too high and damage the reverse osmosis element. Where the pressure control valve is a needle valve, this and the flow control valve are adjusted simultaneously to reach the operating pressure.

8.1.6.1 The permeate gauge pressure must be less than 7 kPa (1 psi).

8.1.7 Adjust the concentrate flow rate so conversion becomes $20 \pm 5\%$ by adjusting the concentrate flow control valve or the length of the capillary tube. The pressure control valve may need to be adjusted simultaneously to keep the feed pressure constant.

8.1.8 Check and adjust the cooling system in the feed tank to provide a permeate temperature of $25 \pm 1^\circ\text{C}$.

8.2 Data Recording:

8.2.1 One hour after startup, measure and record the following on a data sheet:

8.2.1.1 Gauge pressures (feed, concentrate, and permeate),

8.2.1.2 Permeate flow rate,

8.2.1.3 Concentrate flow rate,

8.2.1.4 Permeate temperature, and

8.2.1.5 Feed pH.

Measure the conductivity of the feed, permeate, and concentrate using a conductivity meter in accordance with Test Methods **D1125**, or determine the chloride content of the three streams in accordance with Test Methods **D512**.

8.2.2 If the temperature, pressure, pH, or conversion has fallen outside the specified conditions, make adjustments to bring them within specified conditions. Allow 0.5 h after making adjustments before collecting data.

8.2.3 Repeat the steps given in **8.2.1** and **8.2.2** once per hour until three successive permeate flow rates (corrected to 25°C) and solute passages at specified conditions agree within 5% and 10% (relative), respectively. The permeate flow rate and solute passage of the device are the arithmetic averages of these respective three successive values.

8.3 Shutdown Procedure—Shut off the pump. Allow the pressure to reach zero before disconnecting any plumbing in the system. Ensure that the reverse osmosis element is kept wet at all times and is sanitized or winterized properly, or both, (based on the supplier's recommendations) for long-term storage (more than 5 days).

9. Calculation

9.1 Calculate the feed flow rate as follows:

$$Q_f = Q_p + Q_c \quad (1)$$

where:

Q_f = feed flow rate,

Q_p = permeate flow rate, and

Q_c = concentrate flow rate.

9.2 Calculate the conversion, %, as follows:

$$\text{conversion} = (Q_p/Q_f) \times 100 \quad (2)$$

9.3 Calculate the salt passage, %, as follows:

$$\text{salt passage} = (C_p/C_f) \times 100 \quad (3)$$

where:

C_p = salt concentration in permeate, and

C_f = salt concentration in feed.

NOTE 1—The use of conductivity ratios for calculating salt passage will yield slightly different results as compared to using ratios from chloride ion analyses. However, for the concentration ranges involved for this test

³ ACS Reagent Chemicals, Specifications and Procedures for Reagents and Standard-Grade Reference Materials, American Chemical Society, Washington, DC. For suggestions on the testing of reagents not listed by the American Chemical Society, see *Analar Standards for Laboratory Chemicals*, BDH Ltd., Poole, Dorset, U.K., and the *United States Pharmacopeia and National Formulary*, U.S. Pharmacopeial Convention, Inc. (USPC), Rockville, MD.