



# Standard Specification for Poly(Vinyl Chloride) (PVC) Plastic Pipe Fittings, Schedule 80<sup>1</sup>

This standard is issued under the fixed designation D2467; the number immediately following the designation indicates the year of original adoption or, in the case of revision, the year of last revision. A number in parentheses indicates the year of last reapproval. A superscript epsilon ( $\epsilon$ ) indicates an editorial change since the last revision or reapproval.

*This standard has been approved for use by agencies of the U.S. Department of Defense.*

## 1. Scope\*

1.1 This specification covers poly(vinyl chloride) (PVC) Schedule 80 pipe fittings. Included are requirements for materials, workmanship, dimensions, and burst pressure.

NOTE 1—CPVC plastic pipe fittings, which were formerly included in this standard, are now covered in Specification F439.

1.2 The products covered by this specification are intended for use with the distribution of pressurized liquids only, which are chemically compatible with the piping materials. Due to inherent hazards associated with testing components and systems with compressed air or other compressed gases, some manufacturers do not allow pneumatic testing of their products. Consult with specific product/component manufacturers for their specific testing procedures prior to pneumatic testing.

NOTE 2—Pressurized (compressed) air or other compressed gases contain large amounts of stored energy, which present serious safety hazards should a system fail for any reason.

1.3 The text of this specification references notes, footnotes, and appendixes which provide explanatory material. These notes and footnotes (excluding those in tables and figures) shall not be considered as requirements of this specification.

1.4 The values stated in inch-pound units are to be regarded as standard. The values given in parentheses are mathematical conversions to SI units that are provided for information only and are not considered standard.

1.5 The following safety hazards caveat pertains only to the test method portion, Section 8, of this specification. *This standard does not purport to address all of the safety concerns, if any, associated with its use. It is the responsibility of the user of this standard to establish appropriate safety, health, and environmental practices and determine the applicability of regulatory limitations prior to use.*

1.6 *This international standard was developed in accordance with internationally recognized principles on standard-*

*ization established in the Decision on Principles for the Development of International Standards, Guides and Recommendations issued by the World Trade Organization Technical Barriers to Trade (TBT) Committee.*

## 2. Referenced Documents

### 2.1 ASTM Standards:<sup>2</sup>

- D618 Practice for Conditioning Plastics for Testing
- D1599 Test Method for Resistance to Short-Time Hydraulic Pressure of Plastic Pipe, Tubing, and Fittings
- D1600 Terminology for Abbreviated Terms Relating to Plastics
- D1784 Classification System and Basis for Specification for Rigid Poly(Vinyl Chloride) (PVC) Compounds and Chlorinated Poly(Vinyl Chloride) (CPVC) Compounds
- D1785 Specification for Poly(Vinyl Chloride) (PVC) Plastic Pipe, Schedules 40, 80, and 120
- D2122 Test Method for Determining Dimensions of Thermoplastic Pipe and Fittings
- D2749 Symbols for Dimensions of Plastic Pipe Fittings
- F412 Terminology Relating to Plastic Piping Systems
- F439 Specification for Chlorinated Poly (Vinyl Chloride) (CPVC) Plastic Pipe Fittings, Schedule 80
- F1498 Specification for Taper Pipe Threads 60° for Thermoplastic Pipe and Fittings

### 2.2 Federal Standard:<sup>3</sup>

- Fed. Std. No. 123 Marking for Shipment (Civil Agencies)

### 2.3 National Sanitation Foundation Standards:<sup>4</sup>

- Standard No. 14 for Plastic Piping Components and Related Materials
- Standard No. 61 for Drinking Water Systems Components—Health Effects

<sup>1</sup> This specification is under the jurisdiction of ASTM Committee F17 on Plastic Piping Systems and is the direct responsibility of Subcommittee F17.10 on Fittings.

Current edition approved Aug. 1, 2020. Published August 2020. Originally approved in 1965. Last previous edition approved in 2015 as D2467 – 15. DOI: 10.1520/D2467-20

<sup>2</sup> For referenced ASTM standards, visit the ASTM website, [www.astm.org](http://www.astm.org), or contact ASTM Customer Service at [service@astm.org](mailto:service@astm.org). For *Annual Book of ASTM Standards* volume information, refer to the standard's Document Summary page on the ASTM website.

<sup>3</sup> DLA Document Services Building 4/D 700 Robbins Avenue Philadelphia, PA 19111-5094 <http://quicksearch.dla.mil/>

<sup>4</sup> Available from NSF International, P.O. Box 130140, 789 N. Dixboro Rd., Ann Arbor, MI 48113-0140, <http://www.nsf.org>.

\*A Summary of Changes section appears at the end of this standard

### 3. Terminology

3.1 *General*—Definitions are in accordance with Terminology F412 and abbreviations are in accordance with Terminology D1600, unless otherwise indicated. The abbreviation for poly(vinyl chloride) plastic is PVC.

### 4. Classification

4.1 *General*—This specification covers Schedule 80 PVC pipe fittings, socket-type, made from four PVC plastic compounds and intended for use with Iron Pipe Size (IPS) outside-diameter plastic pipe. (See Specification D1785.)

4.1.1 Fittings covered by this specification are normally molded. In-line fittings, such as couplings, unions, bushings, caps, nipples, and the like, shall be molded or machined from extruded stock.

4.1.2 Fittings fabricated by back welding or butt fusion are not included in this specification.

### 5. Materials and Manufacture

5.1 This specification covers PVC pipe fittings made from five PVC plastics as classified in Specification D1784. These are PVC 12454, 11443, and 14333.

5.2 *Compound*—The PVC plastic compound shall meet the requirements of PVC 12454, 11443, or 14333, as described in Specification D1784.

5.3 *Rework Material*—The manufacturers shall use only their own clean rework fitting material and the fittings produced shall meet all the requirements of this specification.

### 6. Requirements

#### 6.1 *Dimensions and Tolerances:*

6.1.1 Fitting sockets inside diameters (waterways), minimum wall thicknesses, and dimensions shall be as shown in Tables 1-5 when measured in accordance with Test Method D2122.

6.1.2 When multistep reducer bushings are cored out, the inner socket shall be reinforced from the outer wall by a minimum of three ribs extending from the top of the inner socket to the deepest extremity of the coring. The transition from D to DJ (Table 4) shall be straight, tapered as shown, or radiused. A positive taper in the same direction of the taper in the socket on the outside diameter of the bushing is optional (see XA/XB in Table 3). Any point measured along the outside diameter of the bushing (between points XA and XB) shall not fall below minimum pipe OD.

6.1.3 The minimum wall thickness of fittings shall be 125 % of the minimum wall thickness of the corresponding size of Schedule 80 pipe for which they are designed to be used, except that for the socket, the wall thickness shall be at least equal to the minimum wall thickness of the corresponding size of Schedule 80 pipe.

6.1.4 The minimum inside diameter of the fittings shall be not less than the minimum specified inside diameter of the corresponding size of Schedule 80 pipe. This is calculated as follows:

$$(\text{minimum OD}) - 2 \times (\text{maximum wall}) = \text{minimum ID} \quad (1)$$

6.1.5 Minimum dimensions have zero negative tolerance. Tolerances on other dimensions are shown in Table 1 and Table 3.

6.2 *Threads*—For all fittings having taper pipe threads, threads shall conform to Specification F1498 and be gaged in accordance with 8.4.

#### 6.3 *Burst Pressure:*

6.3.1 The minimum burst strength of the fittings shall be not less than that calculated for the size and wall thickness of the pipe with which it is to be used, when calculated from the following equation and using a stress of 6400 psi for 8-in. and smaller fittings, and a stress of 5100 psi for fittings larger than 8-in. when the cell class is 12454, 13354 and 11443. When the cell class is 14333 a stress of 5000 psi is used in the equation for fittings 8-in. and smaller:

$$S = P(D_o - t)/2t \quad (2)$$

$S$  = hoop stress, psi (MPa)

$P$  = internal pressure, psi (MPa),

$D_o$  = average outside diameter, in. (mm), and

$t$  = minimum wall thickness, in. (mm)

Fittings tested in accordance with 8.5 shall withstand the minimum burst pressure shown in Table 6.

6.3.2 Pressures shown are minimum burst pressures and do not imply rated working pressures. The burst pressure shall be used only as an indication of quality.

### 7. Workmanship, Finish, and Appearance

7.1 The fittings shall be homogeneous throughout and free of cracks, holes, foreign inclusions, or other defects. The fittings shall be as uniform as commercially practicable in color, opacity, density, and other physical properties.

### 8. Test Methods

8.1 *Conditioning*—Condition the test specimens at 73.4 ± 3.6 °F (23 ± 2 °C) and 50 ± 10 % relative humidity for not less than 40 h prior to test in accordance with Procedure A of Practice D618, for those tests where conditioning is required.

8.2 *Test Conditions*—Conduct tests in the Standard Laboratory Atmosphere of 73.4 ± 3.6 °F (23 ± 2 °C) and 50 ± 10 % relative humidity, unless otherwise specified in the test methods or in this specification.

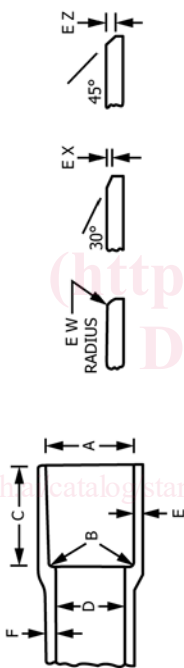
8.3 *Sampling*—A sufficient quantity of fittings as agreed upon between the seller and the purchaser shall be selected at random from each lot or shipment and tested to determine that the basic design is in conformance with this specification.

NOTE 3—For individual orders or specifications where supplemental tests are required, only those tests and numbers of tests specifically agreed upon between purchaser and seller need be conducted.

8.4 *Threads*—All taper pipe threads shall be gaged in accordance with Specification F1498.

8.5 *Burst Pressure*—Determine the minimum burst pressure in accordance with Test Method D1599, Procedure B. The pressure shall be applied at a uniform rate such that the minimum allowable burst pressure is attained in 60 to 70 s.

TABLE 1 Tapered Sockets for PVC Pipe Fittings, Schedule 80, in. (mm)<sup>A</sup>



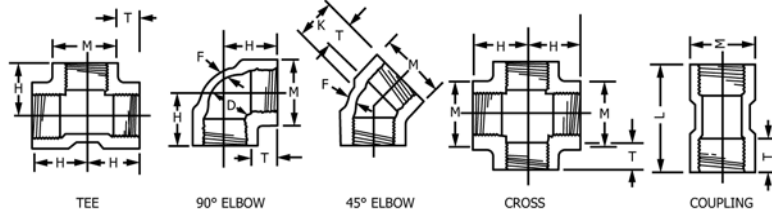
| Nominal Pipe Size | A<br>Socket Entrance Diameter |                               | B<br>Socket Bottom Diameter |                               | Max Out-of-Round | Diameter        | Tolerance on Nominal Diameter | Max Out-of-Round | C <sup>B</sup><br>Socket Length, min | D <sup>C</sup><br>Inside Diameter, min | Wall Thickness, min |               |             | Entrance, min |             |
|-------------------|-------------------------------|-------------------------------|-----------------------------|-------------------------------|------------------|-----------------|-------------------------------|------------------|--------------------------------------|--|---------------------|---------------|-------------|---------------|-------------|
|                   | Diameter                      | Tolerance on Nominal Diameter | Diameter                    | Tolerance on Nominal Diameter |                  |                 |                               |                  |                                      |  | E                   | F             | EW          |               | EX          |
| 1/8               | 0.417 (10.59)                 | ±0.004 (0.10)                 | 0.401 (10.18)               | ±0.004 (0.10)                 | 0.016 (0.41)     | 0.401 (10.18)   | ±0.004 (0.10)                 | 0.016 (0.41)     | 0.500 (12.7)                         | 0.171 (4.34)                           | 0.095 (2.41)        | 0.118 (3.00)  | 1/64 (0.40) | 1/64 (0.40)   | 1/64 (0.40) |
| 1/4               | 0.552 (14.02)                 | ±0.004 (0.10)                 | 0.536 (13.61)               | ±0.004 (0.10)                 | 0.016 (0.41)     | 0.536 (13.61)   | ±0.004 (0.10)                 | 0.016 (0.41)     | 0.625 (15.88)                        | 0.258 (6.55)                           | 0.119 (3.02)        | 0.149 (3.78)  | 1/64 (0.40) | 1/64 (0.40)   | 1/64 (0.40) |
| 3/8               | 0.687 (17.45)                 | ±0.004 (0.10)                 | 0.671 (17.04)               | ±0.004 (0.10)                 | 0.016 (0.41)     | 0.671 (17.04)   | ±0.004 (0.10)                 | 0.016 (0.41)     | 0.750 (19.05)                        | 0.379 (9.63)                           | 0.126 (3.20)        | 0.160 (4.06)  | 1/32 (0.79) | 1/32 (0.79)   | 1/32 (0.79) |
| 1/2               | 0.848 (21.54)                 | ±0.004 (0.10)                 | 0.836 (21.23)               | ±0.004 (0.10)                 | 0.016 (0.41)     | 0.836 (21.23)   | ±0.004 (0.10)                 | 0.016 (0.41)     | 0.875 (22.22)                        | 0.502 (12.75)                          | 0.147 (3.73)        | 0.185 (4.70)  | 1/32 (0.79) | 1/32 (0.79)   | 1/32 (0.79) |
| 3/4               | 1.058 (26.87)                 | ±0.004 (0.10)                 | 1.046 (26.57)               | ±0.004 (0.10)                 | 0.020 (0.51)     | 1.046 (26.57)   | ±0.004 (0.10)                 | 0.020 (0.51)     | 1.000 (25.40)                        | 0.698 (17.73)                          | 0.154 (3.91)        | 0.195 (4.95)  | 1/32 (0.79) | 1/32 (0.79)   | 1/32 (0.79) |
| 1                 | 1.325 (33.65)                 | ±0.005 (0.13)                 | 1.310 (33.27)               | ±0.005 (0.13)                 | 0.020 (0.51)     | 1.310 (33.27)   | ±0.005 (0.13)                 | 0.020 (0.51)     | 1.125 (28.58)                        | 0.911 (23.14)                          | 0.179 (4.55)        | 0.225 (5.72)  | 1/16 (1.59) | 1/16 (1.59)   | 1/16 (1.59) |
| 1 1/4             | 1.670 (42.42)                 | ±0.005 (0.13)                 | 1.655 (42.04)               | ±0.005 (0.13)                 | 0.024 (0.61)     | 1.655 (42.04)   | ±0.005 (0.13)                 | 0.024 (0.61)     | 1.250 (31.75)                        | 1.227 (31.17)                          | 0.191 (4.85)        | 0.239 (6.07)  | 1/16 (1.59) | 1/16 (1.59)   | 1/16 (1.59) |
| 1 1/2             | 1.912 (48.56)                 | ±0.006 (0.15)                 | 1.894 (48.11)               | ±0.006 (0.15)                 | 0.024 (0.61)     | 1.894 (48.11)   | ±0.006 (0.15)                 | 0.024 (0.61)     | 1.375 (34.93)                        | 1.446 (36.73)                          | 0.200 (5.08)        | 0.250 (6.35)  | 1/16 (1.59) | 1/16 (1.59)   | 1/16 (1.59) |
| 2                 | 2.387 (60.63)                 | ±0.006 (0.15)                 | 2.369 (60.17)               | ±0.006 (0.15)                 | 0.024 (0.61)     | 2.369 (60.17)   | ±0.006 (0.15)                 | 0.024 (0.61)     | 1.500 (38.10)                        | 1.881 (47.78)                          | 0.218 (5.54)        | 0.275 (6.99)  | 1/16 (1.59) | 1/16 (1.59)   | 1/16 (1.59) |
| 2 1/2             | 2.889 (73.38)                 | ±0.007 (0.18)                 | 2.868 (72.85)               | ±0.007 (0.18)                 | 0.030 (0.76)     | 2.868 (72.85)   | ±0.007 (0.18)                 | 0.030 (0.76)     | 1.750 (44.45)                        | 2.250 (57.15)                          | 0.276 (7.01)        | 0.345 (8.76)  | 1/8 (3.18)  | 1/8 (3.18)    | 1/8 (3.18)  |
| 3                 | 3.516 (89.31)                 | ±0.008 (0.20)                 | 3.492 (88.70)               | ±0.008 (0.20)                 | 0.030 (0.76)     | 3.492 (88.70)   | ±0.008 (0.20)                 | 0.030 (0.76)     | 1.875 (47.63)                        | 2.820 (71.63)                          | 0.300 (7.62)        | 0.375 (9.53)  | 1/8 (3.18)  | 1/8 (3.18)    | 1/8 (3.18)  |
| 3 1/2             | 4.016 (102.01)                | ±0.008 (0.20)                 | 3.992 (101.4)               | ±0.008 (0.20)                 | 0.030 (0.76)     | 3.992 (101.4)   | ±0.008 (0.20)                 | 0.030 (0.76)     | 2.125 (53.98)                        | 3.280 (83.31)                          | 0.318 (8.08)        | 0.400 (10.16) | 1/8 (3.18)  | 1/8 (3.18)    | 1/8 (3.18)  |
| 4                 | 4.518 (114.76)                | ±0.009 (0.23)                 | 4.491 (114.1)               | ±0.009 (0.23)                 | 0.030 (0.76)     | 4.491 (114.1)   | ±0.009 (0.23)                 | 0.030 (0.76)     | 2.250 (57.15)                        | 3.737 (94.92)                          | 0.337 (8.56)        | 0.420 (10.67) | 1/8 (3.18)  | 1/8 (3.18)    | 1/8 (3.18)  |
| 5                 | 5.583 (141.81)                | ±0.010 (0.25)                 | 5.553 (141.0)               | ±0.010 (0.25)                 | 0.060 (1.52)     | 5.553 (141.0)   | ±0.010 (0.25)                 | 0.060 (1.52)     | 2.625 (66.68)                        | 4.703 (119.46)                         | 0.375 (9.53)        | 0.470 (11.94) | 1/8 (3.18)  | 1/8 (3.18)    | 1/8 (3.18)  |
| 6                 | 6.647 (168.83)                | ±0.011 (0.28)                 | 6.614 (168.0)               | ±0.011 (0.28)                 | 0.060 (1.52)     | 6.614 (168.0)   | ±0.011 (0.28)                 | 0.060 (1.52)     | 3.000 (76.20)                        | 5.646 (143.41)                         | 0.432 (10.97)       | 0.540 (13.72) | 1/8 (3.18)  | 1/8 (3.18)    | 1/8 (3.18)  |
| 8                 | 8.655 (219.84)                | ±0.015 (0.38)                 | 8.610 (218.7)               | ±0.015 (0.38)                 | 0.090 (2.29)     | 8.610 (218.7)   | ±0.015 (0.38)                 | 0.090 (2.29)     | 4.000 (101.60)                       | 7.490 (190.25)                         | 0.500 (12.70)       | 0.625 (15.88) | 3/16 (4.76) | 3/16 (4.76)   | 3/16 (4.76) |
| 10                | 10.780 (273.81)               | ±0.015 (0.38)                 | 10.735 (272.67)             | ±0.015 (0.38)                 | 0.100 (2.54)     | 10.735 (272.67) | ±0.015 (0.38)                 | 0.100 (2.54)     | 5.000 (127.00)                       | 9.407 (238.94)                         | 0.593 (15.06)       | 0.741 (18.82) | 1/8 (3.18)  | 1/8 (3.18)    | 1/8 (3.18)  |
| 12                | 12.780 (324.61)               | ±0.015 (0.38)                 | 12.735 (323.47)             | ±0.015 (0.38)                 | 0.120 (3.05)     | 12.735 (323.47) | ±0.015 (0.38)                 | 0.120 (3.05)     | 6.000 (152.40)                       | 11.197 (284.40)                        | 0.687 (17.45)       | 0.859 (21.82) | 1/8 (3.18)  | 1/8 (3.18)    | 1/8 (3.18)  |
| 14                | 14.035 (356.48)               | ±0.015 (0.38)                 | 13.985 (355.22)             | ±0.015 (0.38)                 | 0.150 (3.81)     | 13.985 (355.22) | ±0.015 (0.38)                 | 0.150 (3.81)     | 7.000 (177.80)                       | 12.305 (312.55)                        | 0.750 (19.05)       | 0.938 (23.83) | 1/8 (3.18)  | 1/8 (3.18)    | 1/8 (3.18)  |
| 16                | 16.045 (407.54)               | ±0.020 (0.51)                 | 15.980 (405.89)             | ±0.020 (0.51)                 | 0.160 (4.06)     | 15.980 (405.89) | ±0.020 (0.51)                 | 0.160 (4.06)     | 8.000 (203.20)                       | 14.093 (357.96)                        | 0.843 (21.41)       | 1.054 (26.77) | 1/8 (3.18)  | 1/8 (3.18)    | 1/8 (3.18)  |

<sup>A</sup> The sketches and designs of fittings are illustrative only (taken from Symbols D2749).

<sup>B</sup> Socket depth, measured from socket entrance face to socket bottom face.

<sup>C</sup> See 6.1.4.

TABLE 2 Dimensions of 90° Ells, Tees, Crosses, 45° Elbows and Couplings (Straight Sizes), in. (mm)<sup>A</sup>



| Nominal Pipe Size | Center to Thread End, 90° Elbows, Tees, Crosses, <sup>B</sup> H, min | Length of Thread, T, min | Center to Thread End, 45° Elbow, <sup>B</sup> K, min | Inside Diameter of Fitting, D, min | Nominal Wall Thickness, F, min | Outside Diameter of Hub, M, min | Thread End to Thread End of Coupling, L, min |
|-------------------|--|--------------------------|--|------------------------------------|--------------------------------|---------------------------------|--|
| 1/8               | 0.688 (17.48)  | 0.38 (9.65)              | 0.625 (15.88)  | 0.215 (5.46)                       | 0.118                          | 0.645 (16.40)                   | 0.813 (20.65)                                |
| 1/4               | 0.812 (20.63)  | 0.50 (12.70)             | 0.688 (17.48)  | 0.302 (7.67)                       | 0.149                          | 0.840 (21.30)                   | 1.063 (27.00)                                |
| 3/8               | 0.938 (23.83)  | 0.50 (12.70)             | 0.750 (19.05)  | 0.423 (10.74)                      | 0.160                          | 1.000 (25.40)                   | 1.063 (27.00)                                |
| 1/2               | 1.125 (28.58)  | 0.64 (16.26)             | 0.750 (19.05)  | 0.550 (13.97)                      | 0.185                          | 1.280 (32.50)                   | 1.344 (34.14)                                |
| 3/4               | 1.250 (31.75)  | 0.65 (16.51)             | 1.000 (25.40)  | 0.750 (19.05)                      | 0.195                          | 1.500 (38.10)                   | 1.500 (38.10)                                |
| 1                 | 1.500 (38.10)  | 0.81 (20.57)             | 1.125 (28.58)  | 0.960 (24.38)                      | 0.225                          | 1.810 (45.97)                   | 1.688 (42.88)                                |
| 1 1/4             | 1.750 (44.45)  | 0.85 (21.59)             | 1.313 (33.35)  | 1.280 (32.51)                      | 0.261                          | 2.200 (55.88)                   | 1.750 (44.45)                                |
| 1 1/2             | 1.938 (49.23)  | 0.85 (21.54)             | 1.438 (36.53)  | 1.500 (38.10)                      | 0.270                          | 2.500 (63.50)                   | 2.000 (50.80)                                |
| 2                 | 2.250 (57.15)  | 0.90 (22.86)             | 1.625 (41.28)  | 1.940 (49.28)                      | 0.297                          | 3.000 (76.20)                   | 2.063 (52.40)                                |
| 2 1/2             | 2.688 (68.28)  | 1.21 (30.73)             | 1.938 (49.23)  | 2.320 (58.93)                      | 0.345                          | 3.580 (90.42)                   | 2.625 (66.68)                                |
| 3                 | 3.063 (77.80)  | 1.30 (33.02)             | 2.125 (53.48)  | 2.900 (73.66)                      | 0.405                          | 4.300 (104.22)                  | 2.750 (69.85)                                |
| 4                 | 3.625 (92.08)  | 1.38 (35.05)             | 2.625 (66.68)  | 3.830 (97.28)                      | 0.450                          | 5.430 (137.92)                  | 3.000 (76.20)                                |
| 6                 | 5.125 (130.18)   | 1.50 (38.10)             | 3.250 (82.55)  | 5.761 (146.33)                     | 0.540                          | 7.625 (193.68)                  | 3.250 (82.55)                                |

<sup>A</sup> The sketches and designs of fittings shown are illustrative only.  
<sup>B</sup> This dimension locates the end of the fitting.

9. Retest and Rejection

9.1 If the results of any test(s) do not meet the requirements of this specification, the tests(s) shall be conducted again only by agreement between the purchaser and seller. Under such agreement, minimum requirements shall not be lowered, changed, or modified, nor shall specification limits be changed. If upon retest, failure occurs, the quantity of product represented by the test(s) does not meet the requirements of this specification.

10. Product Marking

10.1 *Quality of Marking*—The markings shall be applied to the fittings in such a manner that they remain legible under normal handling and installation practices.

10.2 *Content of Marking*—Fittings shall be marked with the following:

10.2.1 Material designation PVC I for PVC 12454, PVC 13 11443, and PVC II for PVC-14333,

10.2.2 The seal or mark of the laboratory making the evaluation for potable water contact,

10.2.3 Size, and

10.2.4 This designation, D2467, with which the fitting complies.

10.3 Where the size of the fitting does not allow complete marking, omit identification marking in the following sequence: size, material designation (D2467), manufacturer’s name, or trademark.

10.4 Marking or symbols shall be molded, hot-stamped, or applied to fittings by any other suitable method, such as printing.

10.5 Where recessed marking is used, care shall be taken to see that in no case does marking cause cracks or reduce the wall thickness below the minimum specified.

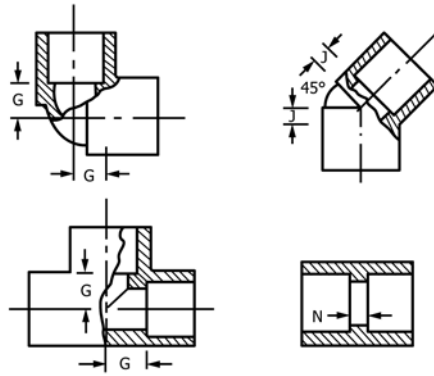
11. Quality Assurance

11.1 *Quality Assurance*—When the product is marked with this designation, D2467, the manufacturer affirms that the product was inspected, sampled, and tested in accordance with this specification and has been found to meet the requirements of this specification.

12. Keywords

12.1 blunt start thread; fittings; IPS; PVC; Schedule 80; sockets; thread

**TABLE 3 Minimum Dimensions from Center to End of Sockets (Laying Length) for Couplings, Tees, 90° and 45° Elbows, PVC Socket-Type Pipe Fittings, Schedule 80, in. (mm)<sup>A</sup>**



| Nominal Pipe Size | G, min          | J, min         | N, min      |
|-------------------|-----------------|----------------|-------------|
| 1/8               | 1/4 (6.35)      | 1/8 (3.18)     | 1/16 (1.59) |
| 1/4               | 5/16 (7.94)     | 3/32 (3.97)    | 1/16 (1.59) |
| 3/8               | 3/8 (9.53)      | 3/16 (4.76)    | 3/32 (2.38) |
| 1/2               | 1/2 (12.70)     | 1/4 (6.35)     | 3/32 (2.38) |
| 3/4               | 9/16 (14.29)    | 5/16 (7.94)    | 3/32 (2.38) |
| 1                 | 1 1/16 (17.46)  | 5/16 (7.94)    | 3/32 (2.38) |
| 1 1/4             | 7/8 (22.22)     | 3/8 (9.53)     | 3/32 (2.38) |
| 1 1/2             | 1 (25.40)       | 7/16 (11.11)   | 3/32 (2.38) |
| 2                 | 1 1/4 (31.75)   | 5/8 (15.88)    | 3/32 (2.38) |
| 2 1/2             | 1 1/2 (38.10)   | 1 1/16 (17.46) | 3/16 (4.76) |
| 3                 | 1 13/16 (46.04) | 3/4 (19.05)    | 3/16 (4.76) |
| 3 1/2             | 2 1/8 (53.98)   | 1 (25.40)      | 3/16 (4.76) |
| 4                 | 2 5/16 (58.74)  | 1 (25.40)      | 3/16 (4.76) |
| 5                 | 3 (76.20)       | 1 3/8 (34.93)  | 3/16 (4.76) |
| 6                 | 3 1/2 (88.90)   | 1 3/4 (44.45)  | 1/4 (6.35)  |
| 8                 | 4 1/2 (114.30)  | 2 (50.80)      | 1/4 (6.35)  |
| 10                | 5 1/16 (144.46) | 2 1/4 (57.15)  | 1/4 (6.35)  |
| 12                | 6 7/8 (174.63)  | 2 1/2 (63.50)  | 3/8 (9.53)  |
| 14                | 7 1/8 (180.97)  | 3 (76.20)      | 3/8 (9.53)  |
| 16                | 8 1/2 (215.90)  | 3 3/8 (85.73)  | 3/8 (9.53)  |

<sup>A</sup> The sketches and designs of fittings are illustrative only (taken from Symbols D2749).