



TECHNICAL REPORT



**Information technology – Generic cabling for customer premises –
Part 9911: Guidelines for the use of balanced single pair applications within
a balanced 4-pair cabling system**

Document Preview

[ISO/IEC TR 11801-9911:2024](https://standards.iteh.ai/catalog/standards/iec/e911472a-806f-4570-b092-e91786eb3c66/iso-iec-tr-11801-9911-2024)

<https://standards.iteh.ai/catalog/standards/iec/e911472a-806f-4570-b092-e91786eb3c66/iso-iec-tr-11801-9911-2024>





THIS PUBLICATION IS COPYRIGHT PROTECTED
Copyright © 2024 ISO/IEC, Geneva, Switzerland

All rights reserved. Unless otherwise specified, no part of this publication may be reproduced or utilized in any form or by any means, electronic or mechanical, including photocopying and microfilm, without permission in writing from either IEC or IEC's member National Committee in the country of the requester. If you have any questions about ISO/IEC copyright or have an enquiry about obtaining additional rights to this publication, please contact the address below or your local IEC member National Committee for further information.

IEC Secretariat
3, rue de Varembe
CH-1211 Geneva 20
Switzerland

Tel.: +41 22 919 02 11
info@iec.ch
www.iec.ch

About the IEC

The International Electrotechnical Commission (IEC) is the leading global organization that prepares and publishes International Standards for all electrical, electronic and related technologies.

About IEC publications

The technical content of IEC publications is kept under constant review by the IEC. Please make sure that you have the latest edition, a corrigendum or an amendment might have been published.

IEC publications search - webstore.iec.ch/advsearchform

The advanced search enables to find IEC publications by a variety of criteria (reference number, text, technical committee, ...). It also gives information on projects, replaced and withdrawn publications.

IEC Just Published - webstore.iec.ch/justpublished

Stay up to date on all new IEC publications. Just Published details all new publications released. Available online and once a month by email.

IEC Customer Service Centre - webstore.iec.ch/csc

If you wish to give us your feedback on this publication or need further assistance, please contact the Customer Service Centre: sales@iec.ch.

IEC Products & Services Portal - products.iec.ch

Discover our powerful search engine and read freely all the publications previews, graphical symbols and the glossary. With a subscription you will always have access to up to date content tailored to your needs.

Electropedia - www.electropedia.org

The world's leading online dictionary on electrotechnology, containing more than 22 500 terminological entries in English and French, with equivalent terms in 25 additional languages. Also known as the International Electrotechnical Vocabulary (IEV) online.

ITeH Standards
standards.iteh.ai
Document Preview

[ISO/IEC TR 11801-9911:2024](https://standards.iteh.ai/catalog/standards/iec/e911472a-806f-4570-b092-e91786eb3c66/iso-iec-tr-11801-9911-2024)

<https://standards.iteh.ai/catalog/standards/iec/e911472a-806f-4570-b092-e91786eb3c66/iso-iec-tr-11801-9911-2024>



TECHNICAL REPORT



**Information technology – Generic cabling for customer premises –
Part 9911: Guidelines for the use of balanced single pair applications within
a balanced 4-pair cabling system**

Document Preview

[ISO/IEC TR 11801-9911:2024](https://standards.iteh.ai/catalog/standards/iec/e911472a-806f-4570-b092-e91786eb3c66/iso-iec-tr-11801-9911-2024)

<https://standards.iteh.ai/catalog/standards/iec/e911472a-806f-4570-b092-e91786eb3c66/iso-iec-tr-11801-9911-2024>

INTERNATIONAL
ELECTROTECHNICAL
COMMISSION

ICS 35.200

ISBN 978-2-8322-9937-1

Warning! Make sure that you obtained this publication from an authorized distributor.

CONTENTS

| | |
|--|----|
| FOREWORD | 4 |
| INTRODUCTION | 6 |
| 1 Scope | 7 |
| 2 Normative references | 7 |
| 3 Terms and definitions | 7 |
| 4 Simultaneous operation of multiple single pair applications within an engineered system that includes 4-pair cabling components in accordance with ISO/IEC 11801-1:2017 [2]..... | 8 |
| 4.1 General | 8 |
| 4.2 Creation of single pair cabling channels | 8 |
| 4.3 Evaluation of the parameters that must be fulfilled by the shared SCP 4-pair link..... | 9 |
| 4.3.1 General..... | 9 |
| 4.3.2 T1-A-100..... | 9 |
| 4.3.3 T1-A-400 and T1-A-1000 | 10 |
| 4.3.4 T1-B..... | 11 |
| 4.3.5 T1-C | 12 |
| 5 Guidance | 13 |
| 5.1 General | 13 |
| 5.2 Frequency range | 14 |
| 5.2.1 Lower frequency..... | 14 |
| 5.2.2 Upper or higher frequency | 14 |
| 5.3 Return loss..... | 14 |
| 5.4 Insertion loss..... | 15 |
| 5.5 Direct current (DC) loop resistance | 15 |
| 5.6 Direct current (DC) resistance unbalance | 15 |
| 5.7 Current carrying capacity | 15 |
| 5.8 Dielectric withstand | 16 |
| 5.9 Propagation delay..... | 16 |
| 5.10 Unbalance attenuation (TCL and ELTCTL) | 16 |
| 5.11 Coupling attenuation..... | 16 |
| 5.12 Alien crosstalk (PS ANEXT and PS AACR-F)..... | 16 |
| 5.13 Different disturbers | 17 |
| 5.14 Cables | 17 |
| 5.15 Connectors..... | 18 |
| 5.16 Installation | 18 |
| 5.17 Bonding..... | 18 |
| 5.18 Administration | 18 |
| 5.19 Supported applications | 18 |
| 5.20 Segregation of maximum 0,75 A cabling components from higher power applications..... | 19 |
| Bibliography..... | 20 |

Figure 1 – Structure and definition of an extended type B generic channel 8

Figure 2 – Return loss (RL) comparison between single pair and 4-pair cabling classes 14

Figure 3 – Insertion loss (IL) comparison between ISO/IEC/IEEE 8802-3:2021/Amd 5:2021 [7] and cabling classes..... 15

Figure 4 – Comparison between 4-pair and single pair link requirements in linear and logarithmic scale 17

Table 1 – Evaluation of a 4-pair SCP link for T1-A-1009

Table 2 – Allowed extension lengths for T1-A-1000 extensions based on 4-pair SCP classes 10

Table 3 – Allowed extension lengths for T1-A-400 extension based on 4-pair SCP classes 10

Table 4 – Evaluation of an 4-pair SCP link for T1-A-400 and T1-A-1000..... 11

Table 5 – Evaluation of a 4-pair SCP link for T1-B..... 11

Table 6 – Evaluation of a 4-pair SCP link for T1-C..... 12

Table 7 – Nominal cable DC loop resistance 15

Table 8 – Support of single pair cabling classes by 4-pair cabling classes based on alien crosstalk..... 17

Table 9 – Support of single pair cabling classes by 4-pair cabling classes based on IEEE Std 802.3dd [6] powering classes..... 18

iTeh Standards
(<https://standards.iteh.ai>)
Document Preview

[ISO/IEC TR 11801-9911:2024](https://standards.iteh.ai/catalog/standards/iec/e911472a-806f-4570-b092-e91786eb3c66/iso-iec-tr-11801-9911-2024)

<https://standards.iteh.ai/catalog/standards/iec/e911472a-806f-4570-b092-e91786eb3c66/iso-iec-tr-11801-9911-2024>

INTERNATIONAL ELECTROTECHNICAL COMMISSION

Information technology – Generic cabling for customer premises – Part 9911: Guidelines for the use of balanced single pair applications within a balanced 4-pair cabling system

FOREWORD

- 1) ISO (the International Organization for Standardization) and IEC (the International Electrotechnical Commission) form the specialized system for worldwide standardization. National bodies that are members of ISO or IEC participate in the development of International Standards through technical committees established by the respective organization to deal with particular fields of technical activity. ISO and IEC technical committees collaborate in fields of mutual interest. Other international organizations, governmental and non-governmental, in liaison with ISO and IEC, also take part in the work.
- 2) The formal decisions or agreements of IEC and ISO on technical matters express, as nearly as possible, an international consensus of opinion on the relevant subjects since each technical committee has representation from all interested IEC and ISO National bodies.
- 3) IEC and ISO documents have the form of recommendations for international use and are accepted by IEC and ISO National bodies in that sense. While all reasonable efforts are made to ensure that the technical content of IEC and ISO documents is accurate, IEC and ISO cannot be held responsible for the way in which they are used or for any misinterpretation by any end user.
- 4) In order to promote international uniformity, IEC and ISO National bodies undertake to apply IEC and ISO documents transparently to the maximum extent possible in their national and regional publications. Any divergence between any IEC and ISO document and the corresponding national or regional publication shall be clearly indicated in the latter.
- 5) IEC and ISO do not provide any attestation of conformity. Independent certification bodies provide conformity assessment services and, in some areas, access to IEC and ISO marks of conformity. IEC and ISO are not responsible for any services carried out by independent certification bodies.
- 6) All users should ensure that they have the latest edition of this document.
- 7) No liability shall attach to IEC and ISO or their directors, employees, servants or agents including individual experts and members of its technical committees and IEC and ISO National bodies for any personal injury, property damage or other damage of any nature whatsoever, whether direct or indirect, or for costs (including legal fees) and expenses arising out of the publication, use of, or reliance upon, this ISO/IEC document or any other IEC and ISO documents.
- 8) Attention is drawn to the Normative references cited in this document. Use of the referenced publications is indispensable for the correct application of this document.
- 9) IEC and ISO draw attention to the possibility that the implementation of this document may involve the use of (a) patent(s). IEC and ISO take no position concerning the evidence, validity or applicability of any claimed patent rights in respect thereof. As of the date of publication of this document, IEC and ISO had not received notice of (a) patent(s), which may be required to implement this document. However, implementers are cautioned that this may not represent the latest information, which may be obtained from the patent database available at <https://patents.iec.ch> and www.iso.org/patents. IEC and ISO shall not be held responsible for identifying any or all such patent rights.

ISO/IEC TR 11801-9911 has been prepared by subcommittee 25: Interconnection of information technology equipment, of ISO/IEC joint technical committee 1: Information technology. It is a Technical Report.

The list of all currently available parts of the ISO/IEC 11801 series, under the general title *Information technology - Generic cabling for customer premises*, can be found on the IEC and ISO websites.

The text of this Technical Report is based on the following documents:

| DTR | Report on voting |
|--------------------|----------------------|
| JTC1-SC25/3253/DTR | JTC1-SC25/3282/RVDTR |

Full information on the voting for the approval of this Technical Report can be found in the report on voting indicated in the above table.

The language used for the development of this Technical Report is English.

This document was drafted in accordance with ISO/IEC Directives, Part 2, and developed in accordance with ISO/IEC Directives, Part 1 and ISO/IEC Directives, JTC 1 Supplement, available at http://www.iec.ch/members_experts/refdocs and <http://www.iso.org/directives>.

IMPORTANT – The "colour inside" logo on the cover page of this document indicates that it contains colours which are considered to be useful for the correct understanding of its contents. Users should therefore print this document using a colour printer.

iTeh Standards
(<https://standards.itih.ai>)
Document Preview

[ISO/IEC TR 11801-9911:2024](https://standards.itih.ai/catalog/standards/iec/e911472a-806f-4570-b092-e91786eb3c66/iso-iec-tr-11801-9911-2024)

<https://standards.itih.ai/catalog/standards/iec/e911472a-806f-4570-b092-e91786eb3c66/iso-iec-tr-11801-9911-2024>

INTRODUCTION

The ISO/IEC 11801 series is currently being revised to cover “balanced single pair cabling systems”, which will expand the range of use for structured cabling systems. With the capability of delivering data and power, these systems are ideally suited for incorporating Internet of Things (IoT) devices into premises cabling systems. Single pair applications are increasingly important for all operators of automation networks in buildings and industrial areas. Implementing these new single pair cabling structures provides for application of device-level diagnostics and security and provides for improved system scalability. Single pair cabling is not meant to replace traditional 4-pair cabling, but to support emerging applications, such as interconnecting IoT and M2M (machine-to-machine) devices.

This document gives guidance and instructions for the use of balanced single pair cabling as specified in [ISO/IEC 11801-1:2017/AMD1:- \[1\]](#)¹ and 4-pair components specified in [ISO/IEC 11801-1:2017 \[2\]](#) together in the same balanced cabling system assuring application support in accordance with [ISO/IEC 11801-6 \[3\]](#).

iTeh Standards (<https://standards.iteh.ai>) Document Preview

[ISO/IEC TR 11801-9911:2024](#)

<https://standards.iteh.ai/catalog/standards/iec/e911472a-806f-4570-b092-e91786eb3c66/iso-iec-tr-11801-9911-2024>

¹ Under preparation. Stage at the time of publication: ISO/IEC CD 11801-1:2017/AMD1:2023.

Information technology – Generic cabling for customer premises – Part 9911: Guidelines for the use of balanced single pair applications within a balanced 4-pair cabling system

1 Scope

This part of ISO/IEC 11801, which is a Technical Report,

- a) describes the rules of implementation of balanced single pair cabling as specified by [ISO/IEC 11801-6 \[3\]](#) within a balanced 4-pair cabling system with a current carrying capacity of 0,75 A per conductor as specified in [ISO/IEC 11801-1:2017 \[2\]](#);
- b) describes the use of [ISO/IEC 11801-1:2017 \[2\]](#) components and cabling to implement and configure in accordance with [ISO/IEC 11801-3:2017/AMD1:2021 \[4\]](#), [ISO/IEC 11801-4 \[5\]](#) and [ISO/IEC 11801-6 \[3\]](#);
- c) describes links and components for generic single pair channels in accordance with [ISO/IEC 11801-1:2017/AMD1:- \[1\]](#). Particular areas of interest are
 - 1) remote powering in accordance with [IEEE Std 802.3dd \[6\]](#),
 - 2) loop resistance and maximum current,
 - 3) insertion loss,
 - 4) return loss,
 - 5) noise considerations,
 - 6) frequency range requirements (low and high),
 - 7) length calculation of the SCP link 4-pair-cable, and
 - 8) number of channels;
- d) describes the use of application-specific single pair channels in addition to [ISO/IEC 11801-1:2017/AMD1:- \[1\]](#), 6.6.4; [ISO/IEC TR 11801-9911:2024](#)
- e) describes guidance on single pair remote powering applications when using 4-pair cabling with current carrying capacity specified by [ISO/IEC 11801-1:2017 \[2\]](#);
- f) describes guidelines for planning, administration and installation.

NOTE This document compares requirements of existing 4-pair cabling classes and single-pair classes. The described approach can be adjusted to any number of pairs.

2 Normative references

The following documents are referred to in the text in such a way that some or all of their content constitutes requirements of this document. For dated references, only the edition cited applies. For undated references, the latest edition of the referenced document (including any amendments) applies.

ISO/IEC 11801-1, *Information technology - Generic cabling for customer premises - Part 1: General requirements*

3 Terms and definitions

For the purposes of this document, the terms and definitions given in ISO/IEC 11801-1 apply.

ISO and IEC maintain terminology databases for use in standardization at the following addresses:

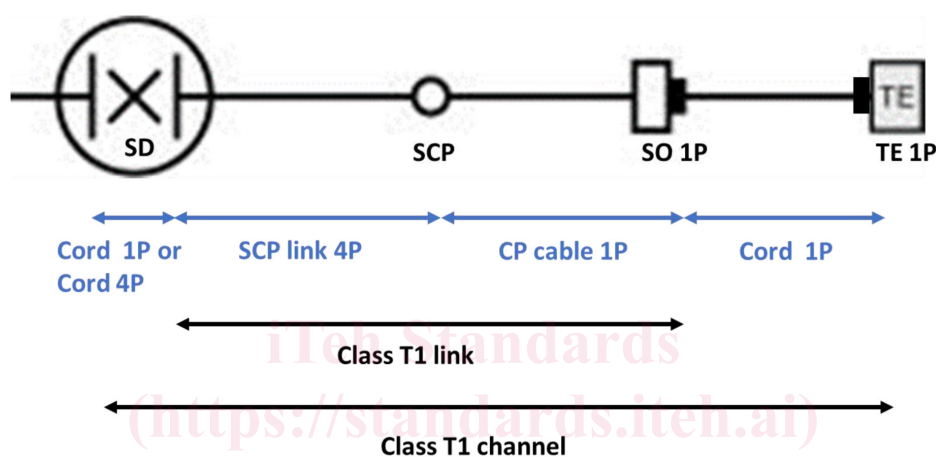
- IEC Electropedia: available at <https://www.electropedia.org/>

- ISO Online browsing platform: available at <https://www.iso.org/obp>

4 Simultaneous operation of multiple single pair applications within an engineered system that includes 4-pair cabling components in accordance with ISO/IEC 11801-1:2017 [2]

4.1 General

This document assumes an extension of a 2-connector SCP link 4-pair type B cabling as specified in ISO/IEC 11801-6 [3] with single pair components to create up to four channels that conform to single pair generic channels (see Figure 1).



| | |
|-------------------|---|
| SD | service distributor |
| SCP | service concentration point |
| 1P | single pair |
| 4P | 4-pair |
| SO 1P | service outlet, see ISO/IEC 11801-1:2017/AMD1:- [1], 10.14 and 10.15, TE outlet |
| TE 1P | terminal equipment single pair |
| Cord 1P (SD + SO) | single pair patchcord at both ends |
| Cord 4P (SD) | 4-pair patchcord at SD end |
| SCP link 4P | 4-pair service concentration point link |
| CP cable 1P | concentration point cable single pair |

Figure 1 – Structure and definition of an extended type B generic channel

4.2 Creation of single pair cabling channels

Based on 4.1 cabling channels can be achieved by:

- creating up to four single pair channels based on 4-pair cabling that conforms to T1-A, T1-B or T1-C;
- creating up to four single pair links based on SCP link 4-pair cabling that conforms to T1-A, T1-B or T1-C and adding single pair conformant cords;
- reference implementation using single pair conformant single pair and 4-pair components (see Clauses 9 and 10 of ISO/IEC 11801-1:2017/AMD1:- [1]).