



**SLOVENSKI STANDARD**  
**SIST ISO 4755:1996**

**01-april-1996**

---

**Mehanski vezni elementi - Žlebovi za izteke zunanjih metrskih navojev ISO**

Fasteners -- Thread undercuts for external metric ISO threads

Éléments de fixation -- Gorges de dégagement pour éléments à filetage extérieur métrique ISO

**(standards.iteh.ai)**

**Ta slovenski standard je istoveten z: ISO 4755:1983**

<https://standards.iteh.ai/catalog/standards/sist/89c5b8d-b478-42be-897a-601873a23763/sist-iso-4755-1996>

**ICS:**

21.040.10	Metrski navoji	Metric screw threads
21.060.01	Vezni elementi na splošno	Fasteners in general

**SIST ISO 4755:1996**

**en**

**iTeh STANDARD PREVIEW**  
**(standards.iteh.ai)**

[SIST ISO 4755:1996](#)

<https://standards.iteh.ai/catalog/standards/sist/8f9c5b8d-b478-42be-897a-601873a23763/sist-iso-4755-1996>

---

International Standard



4755

---

INTERNATIONAL ORGANIZATION FOR STANDARDIZATION • МЕЖДУНАРОДНАЯ ОРГАНИЗАЦИЯ ПО СТАНДАРТИЗАЦИИ • ORGANISATION INTERNATIONALE DE NORMALISATION

---

## Fasteners — Thread undercuts for external metric ISO threads

*Éléments de fixation — Gorges de dégagement pour éléments à filetage extérieur métrique ISO*

First edition — 1983-02-01

ITeH STANDARD PREVIEW  
(standards.iteh.ai)

[SIST ISO 4755:1996](#)

<https://standards.iteh.ai/catalog/standards/sist/8f9c5b8d-b478-42be-897a-601873a23763/sist-iso-4755-1996>

---

UDC 621.882.14

Ref. No. ISO 4755-1983 (E)

Descriptors : fasteners, bolts, screws, dimensions.

## Foreword

ISO (the International Organization for Standardization) is a worldwide federation of national standards bodies (ISO member bodies). The work of developing International Standards is carried out through ISO technical committees. Every member body interested in a subject for which a technical committee has been authorized has the right to be represented on that committee. International organizations, governmental and non-governmental, in liaison with ISO, also take part in the work.

Draft International Standards adopted by the technical committees are circulated to the member bodies for approval before their acceptance as International Standards by the ISO Council.

International Standard ISO 4755 was developed by Technical Committee ISO/TC 2, *Fasteners*, and was circulated to the member bodies in December 1981.

It has been approved by the member bodies of the following countries:

Australia	Germany, F.R.	New Zealand
Austria	Hungary	Norway
Belgium	India	Poland
Brazil	Ireland	Romania
China	Italy	South Africa, Rep. of
Czechoslovakia	Japan	Spain
Denmark	Korea, Dem. P. Rep. of	Sweden
Egypt, Arab Rep. of	Korea, Rep. of	Switzerland
Finland	Mexico	United Kingdom
France	Netherlands	USSR

The member body of the following country expressed disapproval of the document on technical grounds:

USA

# Fasteners — Thread undercuts for external metric ISO threads

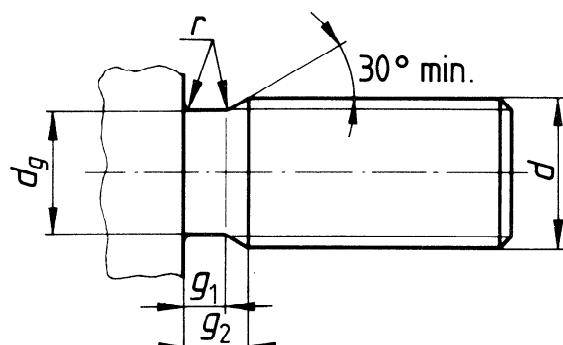
iTeh STANDARD PREVIEW  
(standards.iteh.ai)

## 1 Scope and field of application

This International Standard lays down the form and dimensions of thread undercuts for bolts, screws and similar externally threaded products, recommended for use in those cases where an undercut is needed for threaded components such as plugs, unless otherwise specified in the appropriate product standard.

## ISO 4755-1983 (E)

## 2 Dimensions



Table

Dimensions in millimetres

Pitch of thread $P$	$d_g$ h12 (h13) <sup>1)</sup>	$g_1$ <sup>2)</sup> min.	$g_2$ max. ( $\approx 3P$ )	$r$ $\approx$
0,25	$d - 0,4$	0,4	0,75	0,12
0,3	$d - 0,5$	0,5	0,9	0,16
0,35	$d - 0,6$	0,6	1,05	0,16
0,4	$d - 0,7$	0,6	1,2	0,2
0,45	$d - 0,7$	0,7	1,35	0,2
0,5	$d - 0,8$	0,8	1,5	0,2
0,6	$d - 1$	0,9	1,8	0,4
0,7	$d - 1,1$	1,1	2,1	0,4
0,75	$d - 1,2$	1,2	2,25	0,4
0,8	$d - 1,3$	1,3	2,4	0,4
1	$d - 1,6$	1,6	3	0,6
1,25	$d - 2$	2	3,75	0,6
1,5	$d - 2,3$	2,5	4,5	0,8
1,75	$d - 2,6$	3	5,25	1
2	$d - 3$	3,4	6	1
2,5	$d - 3,6$	4,4	7,5	1,2
3	$d - 4,4$	5,2	9	1,6
3,5	$d - 5$	6,2	10,5	1,6
4	$d - 5,7$	7	12	2
4,5	$d - 6,4$	8	13,5	2,5
5	$d - 7$	9	15	2,5
5,5	$d - 7,7$	11	17,5	3,2
6	$d - 8,3$	11	18	3,2

1) h12 up to and including 3 mm thread diameter.

2)  $g_1$  min. based on a minimum transition angle of  $30^\circ$ .