
International Standard



4755

INTERNATIONAL ORGANIZATION FOR STANDARDIZATION • МЕЖДУНАРОДНАЯ ОРГАНИЗАЦИЯ ПО СТАНДАРТИЗАЦИИ • ORGANISATION INTERNATIONALE DE NORMALISATION

Fasteners — Thread undercuts for external metric ISO threads

Éléments de fixation — Gorges de dégagement pour éléments à filetage extérieur métrique ISO

First edition — 1983-02-01

ITeH STANDARD PREVIEW
(standards.iteh.ai)

[ISO 4755:1983](https://standards.iteh.ai/catalog/standards/sist/5085b015-9d88-4d4f-9cc8-ddf7817ff8d2/iso-4755-1983)

<https://standards.iteh.ai/catalog/standards/sist/5085b015-9d88-4d4f-9cc8-ddf7817ff8d2/iso-4755-1983>

UDC 621.882.14

Ref. No. ISO 4755-1983 (E)

Descriptors : fasteners, bolts, screws, dimensions.

Foreword

ISO (the International Organization for Standardization) is a worldwide federation of national standards bodies (ISO member bodies). The work of developing International Standards is carried out through ISO technical committees. Every member body interested in a subject for which a technical committee has been authorized has the right to be represented on that committee. International organizations, governmental and non-governmental, in liaison with ISO, also take part in the work.

Draft International Standards adopted by the technical committees are circulated to the member bodies for approval before their acceptance as International Standards by the ISO Council.

International Standard ISO 4755 was developed by Technical Committee ISO/TC 2, *Fasteners*, and was circulated to the member bodies in December 1981.

ITeH STANDARD PREVIEW
(standards.iteh.ai)

It has been approved by the member bodies of the following countries:

Australia	Germany, F.R.	ISO 4755:1983
Austria	Hungary	New Zealand
Belgium	India	Norway
Brazil	Ireland	Poland
China	Italy	Romania
Czechoslovakia	Japan	South Africa, Rep. of
Denmark	Korea, Dem. P. Rep. of	Spain
Egypt, Arab Rep. of	Korea, Rep. of	Sweden
Finland	Mexico	Switzerland
France	Netherlands	United Kingdom
		USSR

The member body of the following country expressed disapproval of the document on technical grounds:

USA

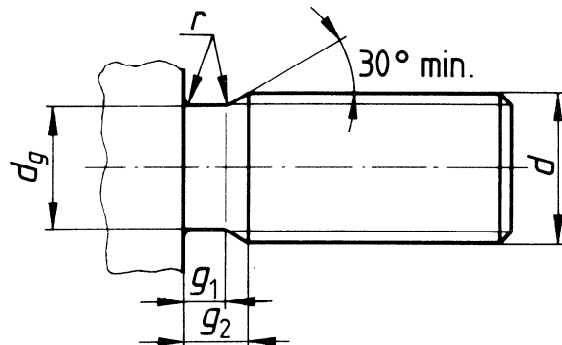
Fasteners — Thread undercuts for external metric ISO threads

iTeh STANDARD PREVIEW
(standards.iteh.ai)

1 Scope and field of application

This International Standard lays down the form and dimensions of thread undercuts for bolts, screws and similar externally threaded products, recommended for use in those cases where an undercut is needed for threaded components such as plugs, unless otherwise specified in the appropriate product standard.

2 Dimensions



Table

Dimensions in millimetres

Pitch of thread P	d_g h12 (h13) ¹⁾	g_1 ²⁾ min.	g_2 max. ($\approx 3P$)	r \approx
0,25	$d - 0,4$	0,4	0,75	0,12
0,3	$d - 0,5$	0,5	0,9	0,16
0,35	$d - 0,6$	0,6	1,05	0,16
0,4	$d - 0,7$	0,6	1,2	0,2
0,45	$d - 0,7$	0,7	1,35	0,2
0,5	$d - 0,8$	0,8	1,5	0,2
0,6	$d - 1$	0,9	1,8	0,4
0,7	$d - 1,1$	1,1	2,1	0,4
0,75	$d - 1,2$	1,2	2,25	0,4
0,8	$d - 1,3$	1,3	2,4	0,4
1	$d - 1,6$	1,6	3	0,6
1,25	$d - 2$	2	3,75	0,6
1,5	$d - 2,3$	2,5	4,5	0,8
1,75	$d - 2,6$	3	5,25	1
2	$d - 3$	3,4	6	1
2,5	$d - 3,6$	4,4	7,5	1,2
3	$d - 4,4$	5,2	9	1,6
3,5	$d - 5$	6,2	10,5	1,6
4	$d - 5,7$	7	12	2
4,5	$d - 6,4$	8	13,5	2,5
5	$d - 7$	9	15	2,5
5,5	$d - 7,7$	11	17,5	3,2
6	$d - 8,3$	11	18	3,2

1) h12 up to and including 3 mm thread diameter.

2) g_1 min. based on a minimum transition angle of 30°.