



Designation: C1433 – 20

Standard Specification for Precast Reinforced Concrete Monolithic Box Sections for Culverts, Storm Drains, and Sewers¹

This standard is issued under the fixed designation C1433; the number immediately following the designation indicates the year of original adoption or, in the case of revision, the year of last revision. A number in parentheses indicates the year of last reapproval. A superscript epsilon (ϵ) indicates an editorial change since the last revision or reapproval.

1. Scope*

1.1 This specification covers single-cell precast reinforced concrete box sections cast monolithically and intended to be used for the construction of culverts and for the conveyance of storm water industrial wastes and sewage.

1.2 This specification is the companion to SI Specification C1433M; therefore, no SI equivalents are shown in this specification.

NOTE 1—This specification is primarily a manufacturing and purchasing specification. However, standard designs are included and the criteria used to develop these designs are given in [Appendix X1](#). The successful performance of this product depends upon the proper selection of the box section, bedding, backfill, and care that the installation conforms to the construction specifications. The purchaser of the precast reinforced concrete box sections specified herein is cautioned that proper correlation of the loading conditions and the field requirements with the box section specified, and provision for inspection at the construction site, are required.

1.3 *This international standard was developed in accordance with internationally recognized principles on standardization established in the Decision on Principles for the Development of International Standards, Guides and Recommendations issued by the World Trade Organization Technical Barriers to Trade (TBT) Committee.*

2. Referenced Documents

2.1 ASTM Standards:²

- [A615/A615M](#) Specification for Deformed and Plain Carbon-Steel Bars for Concrete Reinforcement
- [A1064/A1064M](#) Specification for Carbon-Steel Wire and Welded Wire Reinforcement, Plain and Deformed, for Concrete
- [A706/A706M](#) Specification for Deformed and Plain Low-

- [Alloy Steel Bars for Concrete Reinforcement](#)
 - [C31/C31M](#) Practice for Making and Curing Concrete Test Specimens in the Field
 - [C33/C33M](#) Specification for Concrete Aggregates
 - [C39/C39M](#) Test Method for Compressive Strength of Cylindrical Concrete Specimens
 - [C150/C150M](#) Specification for Portland Cement
 - [C260/C260M](#) Specification for Air-Entraining Admixtures for Concrete
 - [C309](#) Specification for Liquid Membrane-Forming Compounds for Curing Concrete
 - [C494/C494M](#) Specification for Chemical Admixtures for Concrete
 - [C497](#) Test Methods for Concrete Pipe, Concrete Box Sections, Manhole Sections, or Tile
 - [C595/C595M](#) Specification for Blended Hydraulic Cements
 - [C618](#) Specification for Coal Fly Ash and Raw or Calcined Natural Pozzolan for Use in Concrete
 - [C822](#) Terminology Relating to Concrete Pipe and Related Products
 - [C990](#) Specification for Joints for Concrete Pipe, Manholes, and Precast Box Sections Using Preformed Flexible Joint Sealants
 - [C989/C989M](#) Specification for Slag Cement for Use in Concrete and Mortars
 - [C1017/C1017M](#) Specification for Chemical Admixtures for Use in Producing Flowing Concrete
 - [C1116/C1116M](#) Specification for Fiber-Reinforced Concrete
 - [C1602/C1602M](#) Specification for Mixing Water Used in the Production of Hydraulic Cement Concrete
 - [C1619](#) Specification for Elastomeric Seals for Joining Concrete Structures
 - [C1675](#) Practice for Installation of Precast Reinforced Concrete Monolithic Box Sections for Culverts, Storm Drains, and Sewers
 - [C1677](#) Specification for Joints for Concrete Box, Using Rubber Gaskets
- ### 2.2 AASHTO Standard:³
- [Standard Specifications for Highway Bridges](#)

¹ This specification is under the jurisdiction of ASTM Committee C13 on Concrete Pipe and is the direct responsibility of Subcommittee C13.07 on Acceptance Specifications and Precast Concrete Box Sections.

Current edition approved Nov. 15, 2020. Published November 2020. Originally approved in 1999. Last previous edition approved in 2019 as C1433 – 19. DOI: 10.1520/C1433-19.

² For referenced ASTM standards, visit the ASTM website, www.astm.org, or contact ASTM Customer Service at service@astm.org. For *Annual Book of ASTM Standards* volume information, refer to the standard's Document Summary page on the ASTM website.

³ Available from American Association of State Highway and Transportation Officials (AASHTO), 444 N. Capitol St., NW, Suite 249, Washington, DC 20001.

*A Summary of Changes section appears at the end of this standard

3. Terminology

3.1 *Definitions*—For definitions of terms relating to concrete pipe, see Terminology **C822**.

4. Types

4.1 Precast reinforced concrete box sections manufactured in accordance with this specification shall be one of two types identified in **Table 1** and **Table 2**, and shall be designated by type, span, rise, and design earth cover.

5. Basis of Acceptance

5.1 Acceptability of the box sections produced in accordance with Section 7 shall be determined by the results of the concrete compressive strength tests described in Section 11, by the material requirements described in Section 6, and by inspection of the finished box sections.

5.2 Box sections shall be considered ready for acceptance when they conform to the requirements of this specification.

6. Material

6.1 *Reinforced Concrete*—The reinforced concrete shall consist of cementitious materials, mineral aggregates, admixtures if used, and water in which steel has been embedded in such a manner that the steel and concrete act together.

6.2 *Cementitious Materials:*

6.2.1 *Cement*—Cement shall conform to the requirements for portland cement of Specification **C150/C150M** or shall be portland blast-furnace slag cement, portland-limestone cement, or portland-pozzolan cement conforming to the requirements of Specification **C595/C595M**, except that the pozzolan constituent in the Type IP portland-pozzolan cement shall be fly ash.

6.2.2 *Fly Ash*—Fly ash shall conform to the requirements of Specification **C618**, Class F or Class C.

6.2.3 *Slag Cement*—Slag cement shall conform to the requirements of Grade 100 or 120 of Specification **C989/C989M**.

6.2.4 *Allowable Combinations of Cementitious Materials*—The combination of cementitious materials used in concrete shall be one of the following:

- 6.2.4.1 Portland cement only,
- 6.2.4.2 Portland blast-furnace slag cement only,
- 6.2.4.3 Portland pozzolan cement only,
- 6.2.4.4 Portland-limestone cement only,
- 6.2.4.5 A combination of portland cement or portland-limestone cement and fly ash,
- 6.2.4.6 A combination of portland cement or portland-limestone cement and slag cement,
- 6.2.4.7 A combination of portland cement or portland-limestone cement, slag cement, and fly ash, or
- 6.2.4.8 A combination of portland-pozzolan cement and fly ash.

6.3 *Aggregates*—Aggregates shall conform to Specification **C33/C33M**, except that the requirements for gradation shall not apply.

6.4 *Admixtures*—The following admixtures and blends are allowable:

6.4.1 Air-entraining admixture conforming to Specification **C260/C260M**;

6.4.2 Chemical admixture conforming to Specification **C494/C494M**;

6.4.3 Chemical admixture for use in producing flowing concrete conforming to Specification **C1017/C1017M**; and

6.4.4 Chemical admixture or blend approved by the owner.

6.5 *Steel Reinforcement*—Reinforcement shall consist of welded wire reinforcement conforming to Specification **A1064/A1064M**. Circumferential reinforcement areas in **Tables 1 and 2** are based solely on the use of welded wire reinforcement, refer to 12.6 if alternate steel designs utilizing steel bars, Grade 60, in conjunction with or in lieu of welded wire reinforcement are to be submitted for the owner's approval. Longitudinal distribution reinforcement shall be allowed to consist of welded wire reinforcement or deformed billet-steel bars conforming to either Specification **A615/A615M**, Grade 60, or Specification **A706/A706M**, Grade 60.

6.6 *Fibers*—Synthetic fibers and nonsynthetic fibers shall be allowed to be used, at the manufacturer's option, in concrete pipe as a nonstructural manufacturing material. Synthetic fibers (Type II and Type III) and nonsynthetic fiber (Type I) designed and manufactured specifically for use in concrete and conforming to the requirements of Specification **C1116/C1116M** shall be accepted.

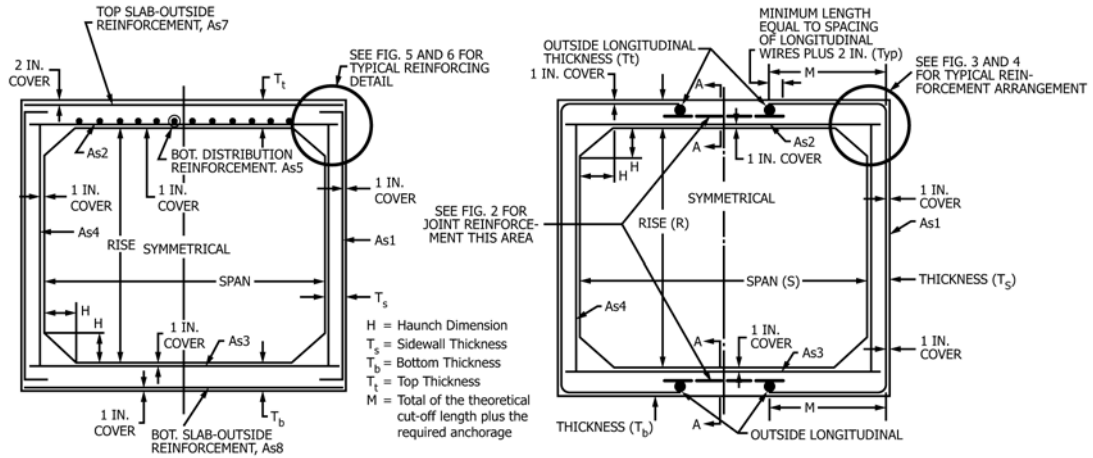
6.7 *Water*—Water used in the production of concrete shall be potable or non-potable water that meets the requirements of Specification **C1602/C1602M**.

7. Design

7.1 *Design Tables*—The box section dimensions, compressive strength of the concrete, and reinforcement details shall be as prescribed in **Table 1** or **Table 2**, Table A, and **Figs. 1-14**, subject to the provisions of Section 12. **Table 1** sections are designed for combined earth dead load and AASHTO HS20 live load conditions. **Table 2** sections are designed for combined earth dead load and interstate live load conditions when the interstate live loading exceeds the HS20 live loading. Criteria used to develop **Tables 1 and 2** are given in **Appendix X1**.

NOTE 2—The tabular designs in this specification were prepared according to AASHTO Standard Specifications for Highway Bridges, 1997 Edition.

NOTE 3—(Advisory)—The reinforcing areas shown in **Table 1** are based on the design earth covering and live load conditions described within this standard. Depending on the means and methods used, handling and installation loads by either the manufacturer or contractor can induce stresses not considered within the development of the tables. These loads could require additional steel reinforcement beyond the minimums shown within the standard. These handling and installation loads should be considered in the final design of the furnished precast concrete box section prior to fabrication.



Fill Height Less than 2 ft

Fill Height 2 ft and Greater

FIG. 1 Typical Box Sections

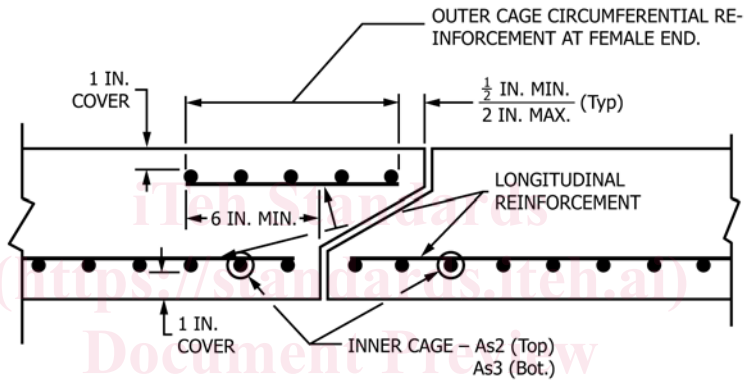


FIG. 2 Section A-A Top and Bottom Slab Joint Reinforcement

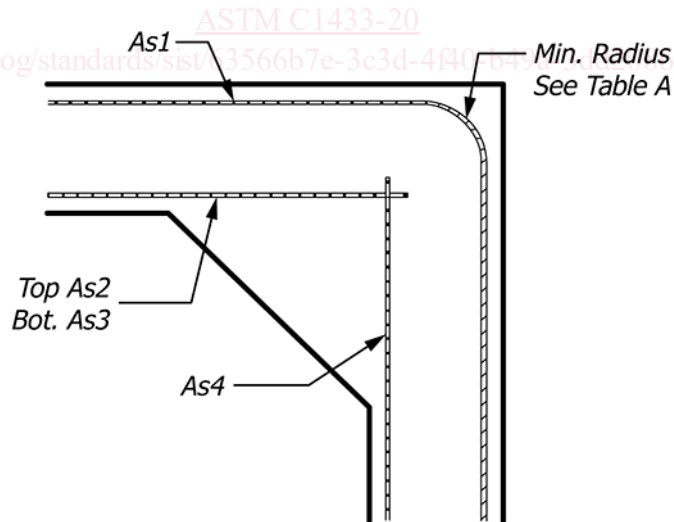


FIG. 3 Detail Inner Reinforcement

Table A—Minimum Dimensions of Bends

Bar Size and Use	Minimum Radius	Minimum Diameter
Welded Wire Reinforcement—Less than W/D 6	2.0d _b	4.0d _b
Welded Wire Reinforcement—W/D 6 and Larger Wire	4.0d _b	8.0d _b
No. 3 Through No. 5—General	3.0d _b	6.0d _b
No. 3 Through No. 5—Stirrups and Ties	2.0d _b	4.0d _b
No. 6 Through No. 8—General	3.0d _b	6.0d _b

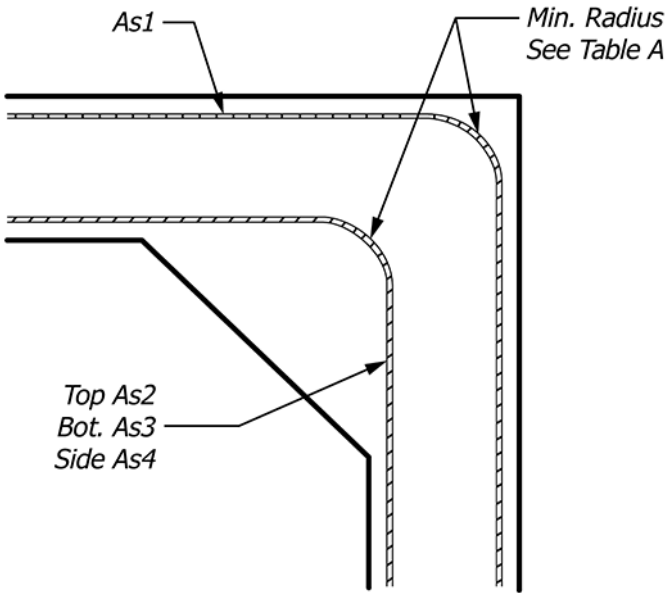


FIG. 4 Detail Option (see Fig. 3)

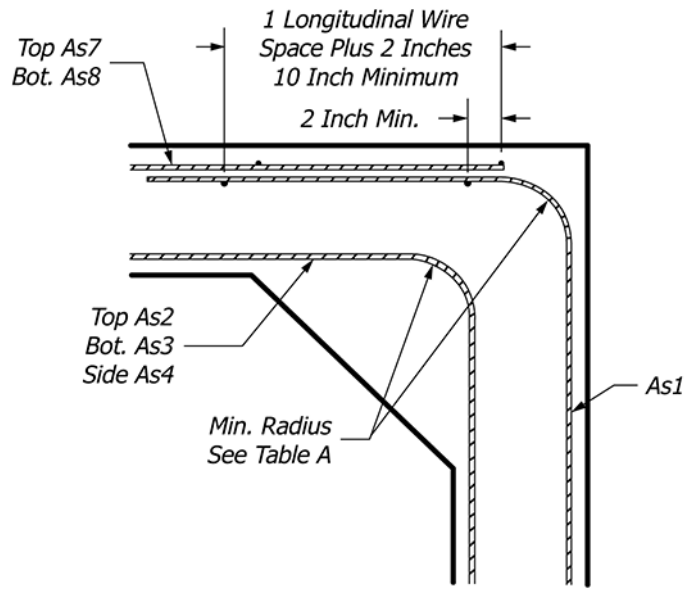


FIG. 6 Detail Option

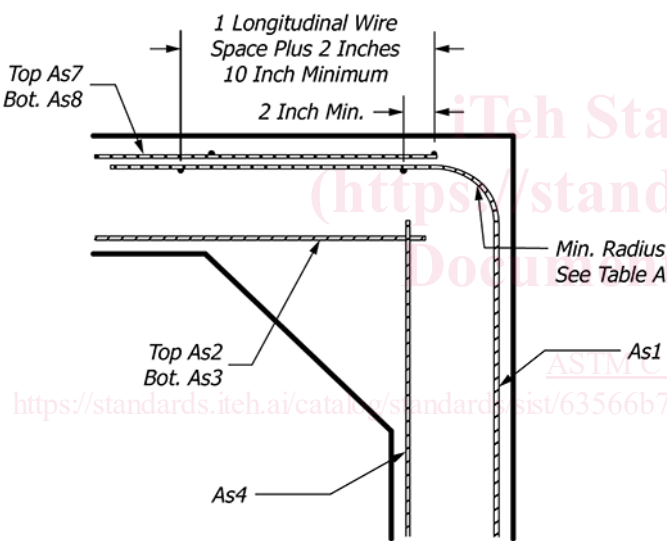


FIG. 5 Detailed Reinforcement Arrangement

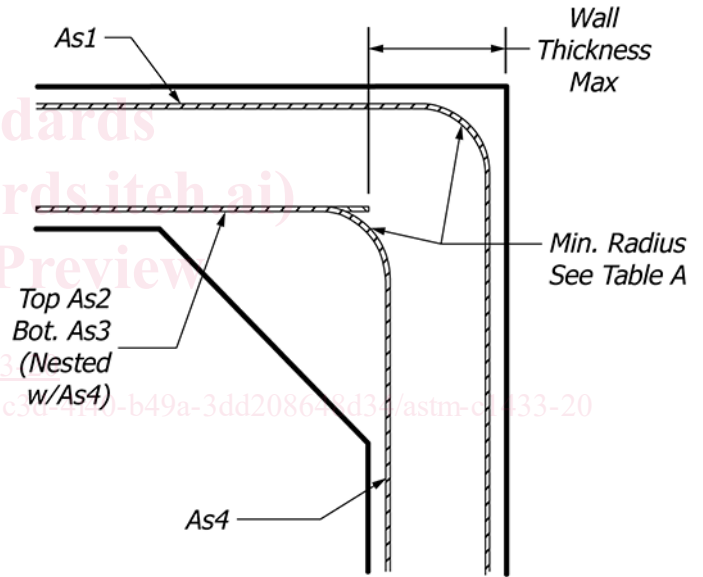
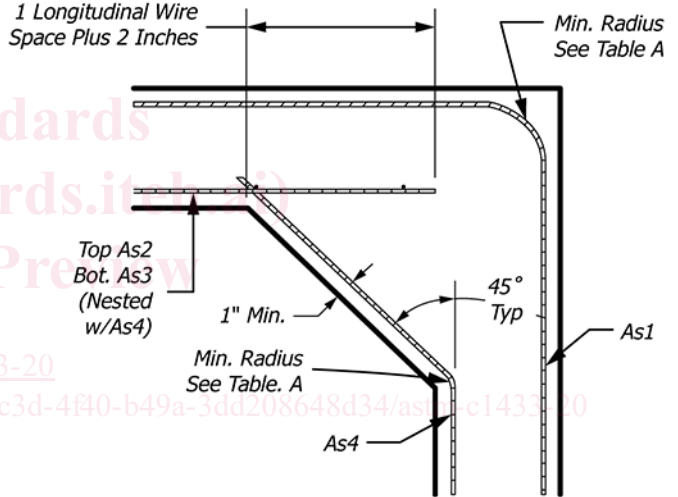
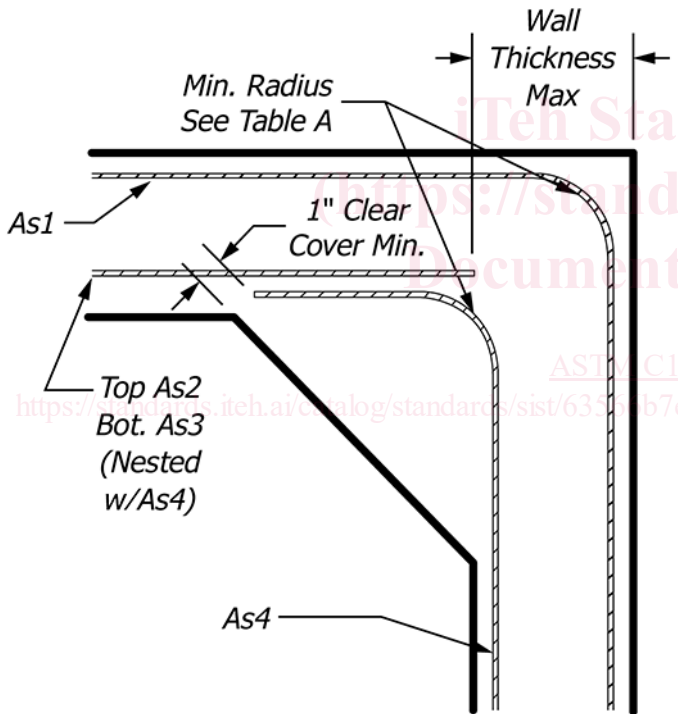
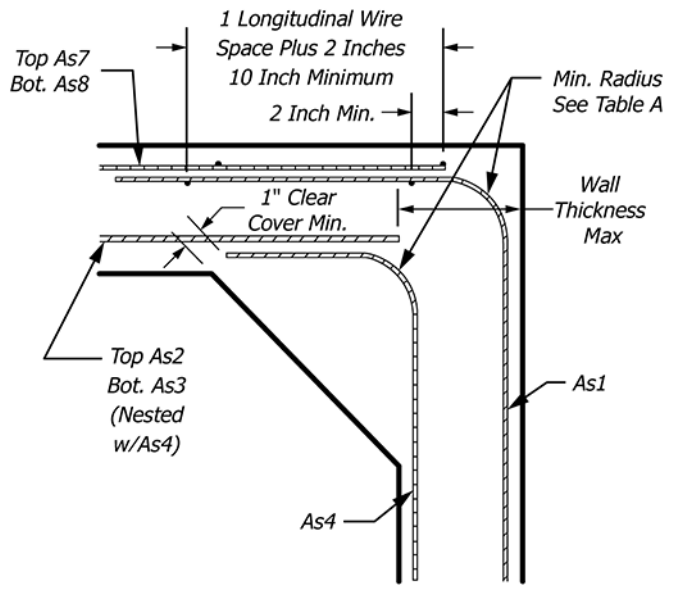
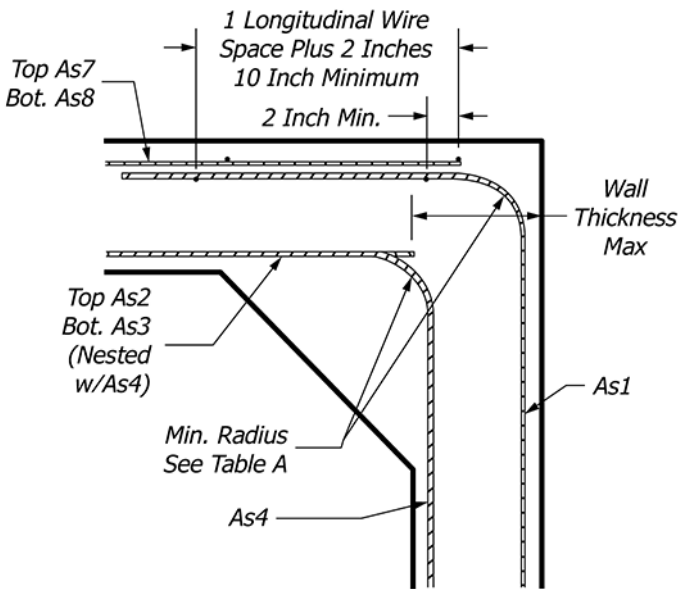


FIG. 7 Alternate Detail

7.2 Modified and Special Designs for Monolithic Structures—The manufacturer shall request approval by the purchaser of modified designs that differ from the designs in Section 7; or special designs for sizes and loads other than those shown in Tables 1 and 2. When spans are required that exceed those prescribed in Table 1 or Table 2, the design shall be based on the criteria given in Appendix X1. In addition, the span shall be designed to have adequate stiffness to limit deflection as given in Section 8.9 of *AASHTO Standard Specification for Highway Bridges* (latest edition).

NOTE 4—Construction procedures, such as heavy equipment movement or stockpiling of material over or adjacent to a box structure, can induce higher loads than those used for the structure's final design. These construction and surcharge loads are approved as long as the final steel areas in the box are larger than those the box will experience in the final installation condition. The design engineer should take into consideration the potential for higher loads induced by construction procedures in determining the final design of the box structure.

7.3 Placement of Reinforcement—The cover of concrete over the circumferential reinforcement shall be 1 in., subject to the provisions of Section 12. The inside circumferential reinforcement shall extend into the tongue portion of the joint and the outside circumferential reinforcement shall extend into the groove portion of the joint. The clear distance of the end circumferential wires shall be not less than 1/2 in. nor more than 2 in. from the ends of the box section. Reinforcement shall be assembled utilizing any combination of single or multiple layers of welded-wire reinforcement. Multiple layers shall not be separated by more than the thickness of one longitudinal wire plus 1/4 in. The multiple layers shall be fastened together to form a single cage. All other specification requirements such as laps, welds, and tolerances of placement in the wall of the box section shall apply to this method of fabricating a



reinforcement cage. A common reinforcement unit may be utilized for both A_{s2} or (or A_{s3}) and A_{s4} , and also for both A_{s7} (or A_{s8}) and A_{s1} , with the largest area requirement governing, bending the reinforcement at the corners and waiving the extension requirements of Fig. 3 and Fig. 5 (see Fig. 4). When a single cage of multiple circumferential steel areas is used for A_{s2} (or A_{s3}) and A_{s4} reinforcement, the slab or wall requiring the larger steel area shall have this additional circumferential steel extending for the full length of the slab or wall. If the joint configuration requires or at the option of the manufacturer, Figs. 9 and 10 provide a permissible mitered INNER cage

detail. When selecting this option, the minimum clear cover for the welded wire fabric over the face of the haunches shall be 1 in. It is permissible to just shape, remove and replace the section of cage that interferes with the shape of the joint or miter the wire bars in the joints if necessary, to conform to the shape of the joint formers provided proper laps and radius requirements are adhered to. In no case shall the maximum cover of the reinforcing across the face of the haunches be more than 3 in. The welded-wire reinforcement shall be composed of circumferential and longitudinal wires meeting the spacing requirements of 7.4 and shall contain sufficient longitudinal wires extending through the box section to maintain the shape and position of reinforcement. Longitudinal distribution reinforcement may be welded-wire reinforcement or deformed billet-steel bars and shall meet the spacing requirements of 7.4. If the longitudinal wires will be in a bend and if the welded wire reinforcement cannot be bent with the longitudinal wires to the outside of the bend, bends with inside diameters less than

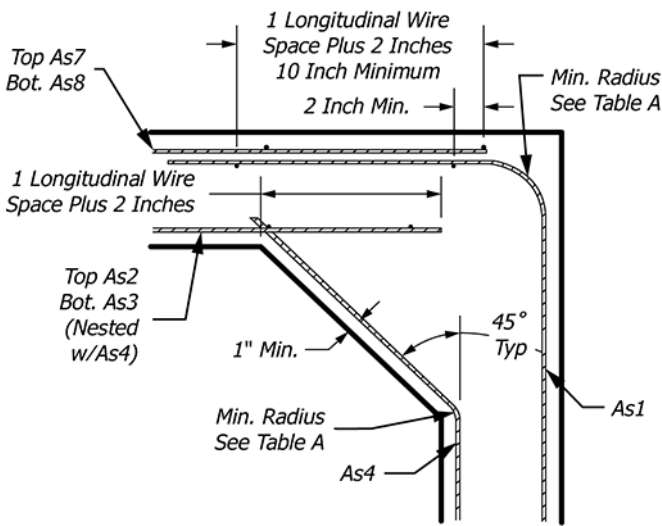


FIG. 12 Alternate Detail

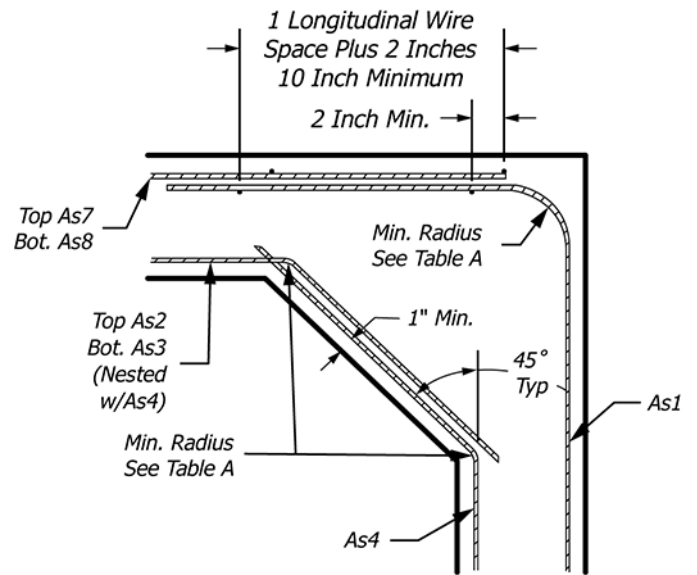


FIG. 14 Alternate Detail

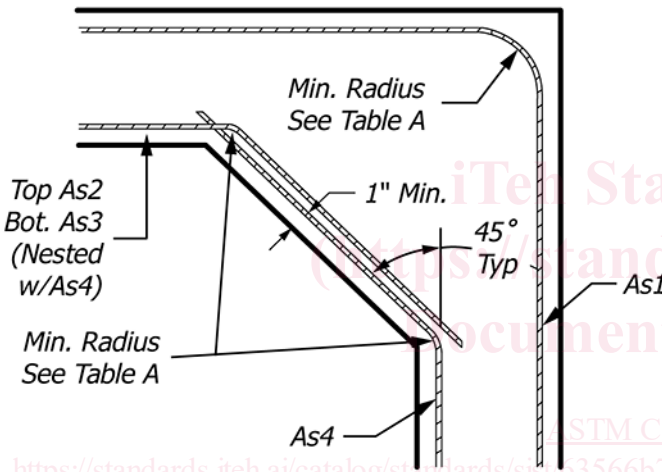


FIG. 13 Alternate Detail

essential wires that are not less than 18 in. apart along the longitudinal axis of the box section. Also, when spacers are welded to circumferential wires, they shall be welded only to these selected circumferential wires. There shall be no welding to other circumferential wires, except it is not prohibited for A_{s4} to be lapped and welded at any location or connected by welding at the corners to A_{s2} and A_{s3} . If A_{s2} or A_{s3} are provided as separate sheets and cross A_{s4} in the region of the haunch, to facilitate cage construction the circumferential wires of each cage must be in contact as shown in Fig. 3, Fig. 5, Fig. 9, Fig. 10, Fig. 11, and Fig. 12. When A_{s4} is bent at one or both ends, clear distance shall be maintained at the tip of the haunch as shown in Fig. 9 or Fig. 10. No welds shall be made to A_{s2} or A_{s3} circumferential wires in the middle third of the span. (See Fig. 15 for welding restrictions.) When distribution reinforcement is to be fastened to a cage by welding, it shall be welded only to longitudinal wires and only near the ends of the box section. If welds are made to Grade 60 reinforcing bars, weldable bars conforming to Specification A706/A706M shall be used. The spacing center to center of the circumferential wires shall not be less than 2 in. nor more than 4 in. The spacing center to center of the longitudinal wires shall not be more than 8 in.

7.5 Extension of $A_{s2/3}$ Reinforcing at the Haunch— A_{s2} and A_{s3} reinforcing shall meet the following requirements in the region of the haunch:

- (1) Starting point for extension length for A_{s2} / A_{s3} to be defined as the tip of the haunch.
- (2) The distance from the starting point to the last crosswire of a mesh sheet excluding ends of wires beyond the last crosswire, shall be a minimum of one crosswire space plus 2 in.
- (3) Wire length beyond the last crosswire must be sufficient for the A_{s2} and A_{s3} layer to at a minimum cross the A_{s4} layer if provided as separate sheets.

$8.0 d_b$ shall not be located less than $4.0 d_b$ from the nearest welded intersection. When bending welded-wire reinforcement, longitudinal wires do not need to follow the maximum spacing requirements of 7.4 within the bend radius. A maximum space of 16 in. is permitted at the bend location to prevent localized fractures at weld intersections. The ends of the longitudinal distribution reinforcement shall not be more than 2 in. from the ends of the box section. The exposure of the ends of longitudinals, stirrups, and spacers used to position the reinforcement shall not be a cause for rejection.

7.4 Laps, Welds, and Spacing—Splices in the circumferential reinforcement shall be made by lapping. The overlap measured between the outermost longitudinal wires of each reinforcement sheet shall not be less than the spacing of the longitudinal wires plus 2 in. but not less than 10 in. If A_{s1} is extended to the middle of either slab and connected, welded splices are not prohibited in the connection. When used, A_{s7} and A_{s8} shall be lapped with A_{s1} as shown in Fig. 5 or Fig. 6 (see also Figs. 7-14). If welds are made to circumferential reinforcement, they shall be made only to selected circumfer-

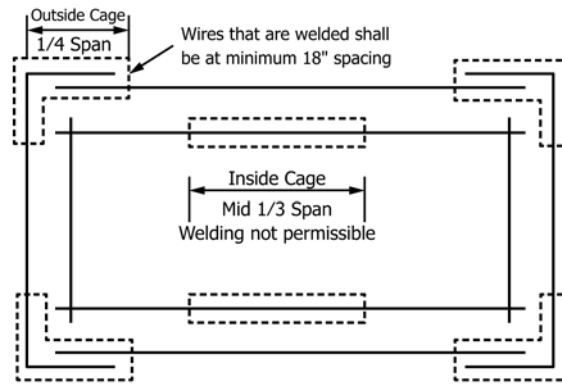


FIG. 15 Critical Zones of High Stress Where Welding is Restricted

(4) When A_{s2} or A_{s3} sheets are provided in combination with A_{s4} as a nested sheet, the sheet may be bent in one of the following configurations or as approved by the owner:

(a) Single 90 degree bend meeting the minimum bend diameter requirements of Table A with appropriate overlap provided with A_{s4} sheets in the wall.

(b) Double 45 degree bend meeting minimum bend diameter requirements of Table A to allow the reinforcement to follow the angle haunch with appropriate clear cover. For this option, nested wires providing A_{s2} steel area shall extend beyond the midpoint of the haunch.

(c) Single or multiple radius bend meeting minimum bend diameter requirements of Table A and bent to follow joint and or haunch dimensions with appropriate clear cover.

(d) It is not prohibited to trim mesh cages within the limits of a joint when the cage does not follow the joint. Adequate replacement steel must be provided within the trimmed area to maintain appropriate reinforcing area and appropriate clear cover.

8. Installation

8.1 The successful performance of this product depends upon proper installation as the soil/structure interaction is considered in the design. The effects of this interaction are highlighted in Note 1 and Note 4. The precast reinforced concrete box section/soil system shall be constructed to conform to Practice C1675 for the installation conditions assumed for design and in accordance with the dimensions and requirements specified or shown on the plans. The tabular steel designs in this standard assume compacted sidefill. See Appendix X1 for additional details on design assumptions used to develop the design tables.

9. Joints

9.1 The precast reinforced concrete box sections shall be produced with tongue and groove ends. The ends shall be of such design and the ends of the box sections so formed that the sections can be laid together to make a continuous line of box sections compatible with the permissible variations given in Section 12.

9.2 Joints may conform to the requirements of Specification C990, Specification C1677, or other established joint type as approved by the owner including, but not limited to, mortar,

sealant, or fabric-wrapped joints. For joints conforming to Specification C1677, the gasket shall be in accordance with Specification C1619 Class C requirements or for oil-resistant properties, the gasket shall meet Class D requirements.

9.3 Outer cage circumferential reinforcement as shown in Figs. 1 and 2 shall be placed in the top and bottom slabs at the groove portion of the joint when A_{s1} is not continuous over the span. The minimum area of such reinforcement in square inches per linear foot of box section length shall be the same as the areas specified for A_{s4} in Tables 1 and 2.

10. Manufacture

10.1 *Mixture*—The aggregates shall be sized, graded, proportioned, and mixed with such proportions of cementitious materials and water as will produce a thoroughly-mixed concrete of such quality that the pipe will conform to the test and design requirements of this specification. All concrete shall have a water-cementitious materials ratio not exceeding 0.53 by weight. Cementitious materials shall be as specified in 6.2 and shall be added to the mix in a proportion not less than 470 lb/yd³ unless mix designs with a lower cementitious materials content demonstrate that the quality and performance of the pipe meet the requirements of this specification.

10.2 *Curing*—The box sections shall be cured for a sufficient length of time so that the concrete will develop the specified compressive strength in 28 days or less. Any one of the following methods of curing or combinations thereof shall be allowed to be used:

10.2.1 *Steam Curing*—The box sections shall be allowed to be low pressure, steam-cured by a system that will maintain a moist atmosphere.

10.2.2 *Water Curing*—The box sections shall be allowed to be water-cured by any method that will keep the sections moist.

10.2.3 *Membrane Curing*—A sealing membrane conforming to the requirements of Specification C309 shall be allowed to be applied and shall be left intact until the required concrete compressive strength is attained. The concrete temperature at the time of application shall be within 10°F of the atmospheric temperature. All surfaces shall be kept moist prior to the application of the compounds and shall be damp when the compound is applied.

10.3 *Forms*—The forms used in manufacture shall be sufficiently rigid and accurate to maintain the box section dimensions within the permissible variations given in Section 12. All casting surfaces shall be of smooth nonporous material.

10.4 *Handling*—Handling devices or holes shall be permitted in each box section for the purpose of handling and laying.

11. Physical Requirements

11.1 *Type of Test Specimen*—Compression tests for determining concrete compressive strength shall be allowed to be made on either standard rodded concrete cylinders or concrete cylinders compacted and cured in like manner as the box sections, or on cores drilled from the box section.

11.2 *Compression Testing of Cylinders:*

11.2.1 Cylinders shall be obtained and tested for compressive strength in accordance with the provisions of Practice C31/C31M and Test Method C39/C39M, except that the cylinders may be prepared by methods comparable to those used to consolidate and cure the concrete in the actual box section manufactured. Cylindrical specimens of sizes other than 6 by 12 in. may be used provided all other requirements of Practice C31/C31M are met. If the concrete is of a consistency too stiff for compaction by rodding or internal vibration, the alternate method described in Section II of Test Methods C497 may be used. Cylinders shall be exposed to the same curing conditions as the manufactured box sections and shall remain with the sections until tested.

11.2.2 Prepare not less than three test cylinders from each concrete mix used within a group (one day's production) of box sections.

11.2.3 *Acceptability on the Basis of Cylinder Test Results:*

11.2.3.1 When the average compressive strength of two cylinders tested for a group is equal to or greater than the required concrete strength, and no cylinder tested has a compressive strength less than 90 % of the required concrete strength, the compressive strength of concrete in the group of box sections shall be accepted.

11.2.3.2 If one of the cylinders tested has a compressive strength less than 90 % but more than 80 % of the required concrete strength, a third cylinder from the group shall be tested. If the third cylinder compressive strength is equal to or greater than the required concrete strength, and the average compressive strength of all three cylinders tested is equal to or greater than the required concrete strength, then the compressive strength of concrete in the group of box sections shall be accepted.

11.2.3.3 Box sections that fail to meet the strength requirements under 11.2 shall not be retested under 11.3 without the approval of the purchaser.

11.2.3.4 When the compressive strength of the cylinders is unavailable, the acceptability of the lot shall be determined in accordance with the provisions of 11.3.

11.3 *Compression Testing of Cores:*

11.3.1 Cores shall be obtained and tested for compressive strength in accordance with the provisions of Test Methods C497.

11.3.2 Three cores shall be cut from a section selected at random from each group of 15 box sections or fraction thereof, of a single size from each continuous production run.

11.3.3 *Acceptability by Core Tests:*

11.3.3.1 The compressive strength of the concrete in each group of box sections defined as the average of three cores taken at random from the subject group, is equal to or greater than 85 % of the required strength of the concrete with no one core less than 75 % of the required strength.

11.3.3.2 If the compressive strength of the three cores does not meet the requirements of 11.3.3.1, the sections from which the cores were taken shall be rejected. Two box sections from the remainder of the group shall be selected at random, and one core shall be taken from each. If both cores have a strength equal to or greater than 85 % of the required strength of the concrete, the remainder of the group is acceptable. If the compressive strength of either of the two cores tested is less than 85 % of the required strength of the concrete, the remainder of the group of box sections shall be rejected or, at the option of the manufacturer, each box section of the entire group shall be cored and accepted individually, and any of these box sections that have cores with less than 85 % of the required strength of the concrete shall be rejected.

11.4 *Plugging Core Holes*—The core holes shall be plugged and sealed by the manufacturer in a manner such that the box section will meet all of the test requirements of this specification. Box sections so sealed shall be considered as satisfactory for use.

11.5 *Test Equipment*—Every manufacturer furnishing box sections under this specification shall furnish all facilities and personnel necessary to carry out the tests required.

12. Permissible Variations

12.1 *Internal Dimensions*—The internal dimensions measured between parallel faces of the span or rise at any point perpendicular to the face of the measured section shall not vary by more than 1 % or 2 in. from the design dimensions, whichever is less, for dimension greater than 4 ft and shall not vary by more than ½ in. for dimensions less than or equal to 4 ft. Measurements shall be taken at the midpoint of the span or rise and 12 in. from each end of the section. The haunch dimensions shall not vary more than ¼ in. from the design dimensions.

12.2 *Slab and Wall Thickness*—The slab and wall thickness shall not be less than that shown in the design by more than 5 % or 3/16 in., whichever is greater. A thickness more than that required in the design shall not be a cause for rejection.

12.3 *Length of Opposite Surfaces*—Variations in laying lengths of two opposite surfaces of the box section shall not be more than 1/8 in./ft of internal span, with a maximum of 5/8 in. for all sizes through 7 ft internal span, and a maximum of 3/4 in. for internal spans greater than 7 ft, except where beveled ends for laying of curves are specified by the purchaser.

12.4 *Length of Section*—The underrun in length of a section shall not be more than 1/8 in./ft of length with a maximum of ½ in. in any box section.

12.5 *Position of Reinforcement*—The maximum variation in the position of the reinforcement or 5-in. or less slab and wall thickness shall be $\pm\frac{3}{8}$ in., and for greater than 5-in. slab and wall thickness shall be $\pm\frac{1}{2}$ in. In no case, however, shall the cover over the reinforcement be less than $\frac{5}{8}$ in., as measured to the internal surface or the external surface except the cover over the reinforcement for the external surface of the top slab for boxes with under 2 ft of cover shall not be less than $1\frac{5}{8}$ in. The preceding minimum cover limitation does not apply at the mating surfaces of the joint.

12.5.1 *Joint Reinforcement for Rubber Gasket Joints*—In no case, however, shall the cover over the reinforcement be less than $\frac{1}{4}$ in. as measured to the end of the spigot or $\frac{1}{2}$ in. as measured to any other surface.

12.6 *Area of Reinforcement*—The areas of steel reinforcement shall be the design steel areas as shown in Tables 1 and 2. Steel areas greater than those required shall not be cause for rejection. The permissible variation in diameter of any wire in finished reinforcement shall conform to the tolerances prescribed for the wire before fabrication by Specification A1064/A1064M as applicable. If steel bars (Grade 60) are used in lieu of welded wire reinforcement, the steel areas presented in Tables 1 and 2 shall be increased to account for the difference in steel yield strength, steel spacing, concrete cover, and crack control between the welded wire reinforcement and steel bars.

12.7 *Haunch Dimensions*—The vertical and horizontal dimensions shall be equal to the side wall thickness. If haunches with other dimensions are used, a special reinforcement design for the actual dimensions shall be completed. In lieu of performing a special design, for the specific case where the actual haunch dimensions are larger than the standard dimensions and vertical and horizontal haunch dimensions are equal, the A_{s1} steel area shall be increased 1 % for every 5 % increase in the haunch dimension over that specified in Table 1 or Table 2 and A_{s2} and A_{s3} shall be reduced by an equal percentage.

13. Repairs

13.1 Box sections shall be repaired, if necessary, because of imperfections in manufacture or handling damage and will be

acceptable if, in the opinion of the purchaser, the repaired box section conforms to the requirements of this specification.

14. Inspection

14.1 The quality of materials, the process of manufacture, and the finished box sections shall be subject to inspection by the purchaser. The method of marking as to acceptance or rejection of the box sections shall be agreed upon, prior to inspection, between the owner and the manufacturer.

15. Rejection

15.1 Box sections shall be subject to rejection on account of failure to conform to any of the specification requirements. Individual box sections shall be allowed to be rejected because of any of the following:

15.1.1 Fractures or cracks passing through the wall, except for a single end crack that does not exceed the depth of the joint,

15.1.2 Defects that indicate mixing and molding not in compliance with 10.1, or honeycombed or open texture that would adversely affect the function of the box sections, and

15.1.3 Damaged ends, where such damage would prevent making a satisfactory joint.

16. Marking

16.1 The following information shall be legibly marked on each box section by indentation, waterproof paint, or other approved means:

16.1.1 Box section span, rise, table number, maximum and minimum design earth cover, and specification designation.

16.1.2 Date of manufacture, and

16.1.3 Name or trademark of the manufacturer.

16.2 Each section shall be clearly marked by indentation on either the inner or outer surface during the process of manufacture so that the location of the top will be evident immediately after the forms are stripped. In addition, the word “top” shall be lettered with waterproof paint on the inside top surface.

TABLE 1 Design Requirements for Precast Concrete Box Sections Under Earth Dead and HS20 Live Load Conditions

NOTE 1—Design earth covers and reinforcement areas are based on the weight of a column of earth over the width of the box section as defined in Appendix X1.

NOTE 2—Concrete design strength 5000 psi.

NOTE 3—The design earth cover indicated is the height of fill above the top of the box section. Design requirements are based on the material and soil properties, loading data, and typical section as included in Appendix X1. For alternative or special designs, see 7.2.

NOTE 4—Design steel area in square inches per linear foot of box section at those locations which are indicated on the typical section included in Fig. 1.

NOTE 5—The top section designation, for example, 3 ft by 2 ft by 4 in. indicates (interior horizontal span in feet) by (interior vertical rise in feet) by (wall and slab thickness in inches).

NOTE 6—In accordance with the acceptance criteria in 7.2, the manufacturer may interpolate the steel area requirements for fill heights between noted increments or may submit independent designs.

3 ft by 2 ft by 4 in.														
Span ft	Rise ft	Top in.	Bottom in.	Side in.	Haunch in.	Design Earth Cover ft	Circumferential Reinforcement Areas, in. ² /ft							
							A_{s1}	A_{s2}	A_{s3}	A_{s4}	A_{s5}	A_{s7}	A_{s8}	“M,” in.
3	2	7	6	4	4	0<2	0.17	0.38	0.21	0.10	0.19	0.17	0.14	
3	2	4	4	4	4	2<3	0.13	0.21	0.21	0.10				31

3	2	4	4	4	4	3-5	0.10	0.10	0.10	0.10					31
3	2	4	4	4	4	10	0.10	0.10	0.10	0.10					31
3	2	4	4	4	4	15	0.10	0.14	0.14	0.10					31
3	2	4	4	4	4	20	0.11	0.18	0.19	0.10					31
3	2	4	4	4	4	25	0.14	0.23	0.23	0.10					31
3	2	4	4	4	4	30	0.17	0.27	0.27	0.10					31
3	2	4	4	4	4	35	0.20	0.31	0.31	0.10					31

3 ft by 3 ft by 4 in.

Span ft	Rise ft	Top in.	Bottom in.	Side in.	Haunch in.	Design Earth Cover ft	Circumferential Reinforcement Areas, in. ² /ft								"M," in.
							A _{s1}	A _{s2}	A _{s3}	A _{s4}	A _{s5}	A _{s7}	A _{s8}		
3	3	7	6	4	4	0<2	0.17	0.40	0.23	0.10	0.20	0.17	0.14		
3	3	4	4	4	4	2<3	0.10	0.25	0.25	0.10					31
3	3	4	4	4	4	3-5	0.10	0.10	0.11	0.10					31
3	3	4	4	4	4	10	0.10	0.11	0.11	0.10					31
3	3	4	4	4	4	15	0.10	0.15	0.16	0.10					31
3	3	4	4	4	4	20	0.10	0.20	0.20	0.10					31
3	3	4	4	4	4	25	0.10	0.24	0.25	0.10					31
3	3	4	4	4	4	30	0.12	0.29	0.29	0.10					31
3	3	4	4	4	4	35	0.14	0.33	0.34	0.10					31

4 ft by 2 ft by 5 in.

Span ft	Rise ft	Top in.	Bottom in.	Side in.	Haunch in.	Design Earth Cover ft	Circumferential Reinforcement Areas, in. ² /ft								"M," in.
							A _{s1}	A _{s2}	A _{s3}	A _{s4}	A _{s5}	A _{s7}	A _{s8}		
4	2	7.5	6	5	5	0<2	0.18	0.40	0.20	0.12	0.20	0.18	0.14		
4	2	5	5	5	5	2<3	0.21	0.23	0.20	0.12					38
4	2	5	5	5	5	3-5	0.12	0.12	0.12	0.12					38
4	2	5	5	5	5	10	0.12	0.12	0.13	0.12					38
4	2	5	5	5	5	15	0.14	0.17	0.18	0.12					38
4	2	5	5	5	5	20	0.19	0.23	0.23	0.12					38
4	2	5	5	5	5	25	0.23	0.28	0.28	0.12					38
4	2	5	5	5	5	30	0.28	0.33	0.33	0.12					38
4	2	5	5	5	5	35	0.33	0.38	0.39	0.12					38

4 ft by 3 ft by 5 in.

Span ft	Rise ft	Top in.	Bottom in.	Side in.	Haunch in.	Design Earth Cover ft	Circumferential Reinforcement Areas, in. ² /ft								"M," in.
							A _{s1}	A _{s2}	A _{s3}	A _{s4}	A _{s5}	A _{s7}	A _{s8}		
4	3	7.5	6	5	5	0<2	0.18	0.45	0.23	0.12	0.22	0.18	0.14		
4	3	5	5	5	5	2<3	0.16	0.28	0.25	0.12					38
4	3	5	5	5	5	3-5	0.12	0.12	0.13	0.12					38
4	3	5	5	5	5	10	0.12	0.14	0.15	0.12					38
4	3	5	5	5	5	15	0.12	0.20	0.20	0.12					38
4	3	5	5	5	5	20	0.14	0.26	0.26	0.12					38
4	3	5	5	5	5	25	0.17	0.32	0.32	0.12					38
4	3	5	5	5	5	30	0.21	0.38	0.38	0.12					38
4	3	5	5	5	5	35	0.25	0.44	0.44	0.12					38

4 ft by 4 ft by 5 in.

Span ft	Rise ft	Top in.	Bottom in.	Side in.	Haunch in.	Design Earth Cover ft	Circumferential Reinforcement Areas, in. ² /ft								"M," in.
							A _{s1}	A _{s2}	A _{s3}	A _{s4}	A _{s5}	A _{s7}	A _{s8}		
4	4	7.5	6	5	5	0<2	0.18	0.47	0.25	0.12	0.23	0.18	0.14		
4	4	5	5	5	5	2<3	0.13	0.31	0.28	0.12					38
4	4	5	5	5	5	3-5	0.12	0.14	0.15	0.12					38
4	4	5	5	5	5	10	0.12	0.15	0.16	0.12					38
4	4	5	5	5	5	15	0.12	0.21	0.22	0.12					38
4	4	5	5	5	5	20	0.12	0.27	0.28	0.12					38
4	4	5	5	5	5	25	0.14	0.33	0.34	0.12					38
4	4	5	5	5	5	30	0.17	0.39	0.40	0.12					38
4	4	5	5	5	5	35	0.20	0.45	0.46	0.12					38

5 ft by 3 ft by 6 in.

Span ft	Rise ft	Top in.	Bottom in.	Side in.	Haunch in.	Design Earth Cover ft	Circumferential Reinforcement Areas, in. ² /ft								"M," in.
							A _{s1}	A _{s2}	A _{s3}	A _{s4}	A _{s5}	A _{s7}	A _{s8}		
5	3	8	7	6	6	0<2	0.19	0.44	0.22	0.14	0.21	0.19	0.17		
5	3	6	6	6	6	2<3	0.21	0.29	0.22	0.14					45
5	3	6	6	6	6	3-5	0.14	0.14	0.14	0.14					36
5	3	6	6	6	6	10	0.14	0.17	0.17	0.14					36
5	3	6	6	6	6	15	0.17	0.24	0.24	0.14					35
5	3	6	6	6	6	20	0.21	0.31	0.31	0.14					35
5	3	6	6	6	6	25	0.26	0.38	0.38	0.14					35
5	3	6	6	6	6	30	0.31	0.45	0.45	0.14					35
5	3	6	6	6	6	35	0.37	0.52	0.53	0.14					35

5 ft by 4 ft by 6 in.

Span ft	Rise ft	Top in.	Bottom in.	Side in.	Haunch in.	Design Earth Cover ft	Circumferential Reinforcement Areas, in. ² /ft							
							A _{s1}	A _{s2}	A _{s3}	A _{s4}	A _{s5}	A _{s7}	A _{s8}	"M," in.
5	4	8	7	6	6	0<2	0.19	0.48	0.24	0.14	0.22	0.19	0.17	
5	4	6	6	6	6	2<3	0.18	0.33	0.25	0.14				45
5	4	6	6	6	6	3-5	0.14	0.16	0.16	0.14				45
5	4	6	6	6	6	10	0.14	0.19	0.19	0.14				36
5	4	6	6	6	6	15	0.14	0.26	0.27	0.14				35
5	4	6	6	6	6	20	0.18	0.33	0.34	0.14				35
5	4	6	6	6	6	25	0.21	0.41	0.42	0.14				35
5	4	6	6	6	6	30	0.26	0.49	0.49	0.14				35
5	4	6	6	6	6	35	0.30	0.56	0.57	0.14				35

5 ft by 5 ft by 6 in.

Span ft	Rise ft	Top in.	Bottom in.	Side in.	Haunch in.	Design Earth Cover ft	Circumferential Reinforcement Areas, in. ² /ft							
							A _{s1}	A _{s2}	A _{s3}	A _{s4}	A _{s5}	A _{s7}	A _{s8}	"M," in.
5	5	8	7	6	6	0<2	0.19	0.50	0.26	0.14	0.24	0.19	0.17	
5	5	6	6	6	6	2<3	0.16	0.35	0.28	0.14				45
5	5	6	6	6	6	3-5	0.14	0.17	0.18	0.14				45
5	5	6	6	6	6	10	0.14	0.20	0.21	0.14				45
5	5	6	6	6	6	15	0.14	0.27	0.28	0.14				36
5	5	6	6	6	6	20	0.15	0.35	0.36	0.14				35
5	5	6	6	6	6	25	0.19	0.42	0.44	0.14				35
5	5	6	6	6	6	30	0.22	0.50	0.51	0.14				35
5	5	6	6	6	6	35	0.26	0.58	0.59	0.14				35

6 ft by 3 ft by 7 in.

Span ft	Rise ft	Top in.	Bottom in.	Side in.	Haunch in.	Design Earth Cover ft	Circumferential Reinforcement Areas, in. ² /ft							
							A _{s1}	A _{s2}	A _{s3}	A _{s4}	A _{s5}	A _{s7}	A _{s8}	"M," in.
6	3	8	7	7	7	0<2	0.23	0.45	0.20	0.17	0.19	0.19	0.17	
6	3	7	7	7	7	2<3	0.24	0.30	0.20	0.17				43
6	3	7	7	7	7	3-5	0.17	0.17	0.17	0.17				40
6	3	7	7	7	7	10	0.17	0.20	0.20	0.17				39
6	3	7	7	7	7	15	0.23	0.27	0.28	0.17				38
6	3	7	7	7	7	20	0.30	0.35	0.36	0.17				38
6	3	7	7	7	7	25	0.36	0.44	0.44	0.17				38
6	3	7	7	7	7	30	0.43	0.52	0.52	0.17				38
6	3	7	7	7	7	35	0.50	0.60	0.60	0.17				38

6 ft by 4 ft by 7 in.

Span ft	Rise ft	Top in.	Bottom in.	Side in.	Haunch in.	Design Earth Cover ft	Circumferential Reinforcement Areas, in. ² /ft							
							A _{s1}	A _{s2}	A _{s3}	A _{s4}	A _{s5}	A _{s7}	A _{s8}	"M," in.
6	4	8	7	7	7	0<2	0.19	0.49	0.23	0.17	0.21	0.19	0.17	
6	4	7	7	7	7	2<3	0.21	0.33	0.23	0.17				43
6	4	7	7	7	7	3-5	0.17	0.17	0.17	0.17				40
6	4	7	7	7	7	10	0.17	0.22	0.23	0.17				39
6	4	7	7	7	7	15	0.20	0.30	0.31	0.17				38
6	4	7	7	7	7	20	0.25	0.39	0.40	0.17				38
6	4	7	7	7	7	25	0.30	0.48	0.49	0.17				38
6	4	7	7	7	7	30	0.36	0.57	0.58	0.17				38
6	4	7	7	7	7	35	0.42	0.66	0.67	0.17				38

6 ft by 5 ft by 7 in.

Span ft	Rise ft	Top in.	Bottom in.	Side in.	Haunch in.	Design Earth Cover ft	Circumferential Reinforcement Areas, in. ² /ft							
							A _{s1}	A _{s2}	A _{s3}	A _{s4}	A _{s5}	A _{s7}	A _{s8}	"M," in.
6	5	8	7	7	7	0<2	0.19	0.52	0.25	0.17	0.22	0.19	0.17	
6	5	7	7	7	7	2<3	0.19	0.36	0.26	0.17				52
6	5	7	7	7	7	3-5	0.17	0.19	0.19	0.17				43
6	5	7	7	7	7	10	0.17	0.23	0.24	0.17				39
6	5	7	7	7	7	15	0.17	0.32	0.33	0.17				38
6	5	7	7	7	7	20	0.22	0.41	0.43	0.17				38
6	5	7	7	7	7	25	0.26	0.51	0.52	0.17				38
6	5	7	7	7	7	30	0.31	0.60	0.61	0.17				38
6	5	7	7	7	7	35	0.36	0.69	0.71	0.17				38

6 ft by 6 ft by 7 in.

Span ft	Rise ft	Top in.	Bottom in.	Side in.	Haunch in.	Design Earth Cover ft	Circumferential Reinforcement Areas, in. ² /ft							
							A _{s1}	A _{s2}	A _{s3}	A _{s4}	A _{s5}	A _{s7}	A _{s8}	"M," in.
6	6	8	7	7	7	0<2	0.19	0.54	0.27	0.17	0.23	0.19	0.17	
6	6	7	7	7	7	2<3	0.17	0.38	0.28	0.17				52
6	6	7	7	7	7	3-5	0.17	0.20	0.20	0.17				52
6	6	7	7	7	7	10	0.17	0.24	0.26	0.17				43
6	6	7	7	7	7	15	0.17	0.33	0.35	0.17				39
6	6	7	7	7	7	20	0.19	0.43	0.44	0.17				38
6	6	7	7	7	7	25	0.23	0.52	0.54	0.17				38
6	6	7	7	7	7	30	0.27	0.61	0.63	0.17				38
6	6	7	7	7	7	35	0.32	0.71	0.73	0.17				38

7 ft by 4 ft by 8 in.