

# INTERNATIONAL STANDARD

# NORME INTERNATIONALE



**Luminaire –  
Part 2-13: Particular requirements – Ground recessed luminaires**

**Luminaire –  
Partie 2-13: Règles particulières – Luminaire encastré dans le sol**

[IEC 60598-2-13:2006](https://standards.iteh.ai/catalog/standards/iec/39bae631-d053-4383-b933-0caa6acf5560/iec-60598-2-13-2006)

<https://standards.iteh.ai/catalog/standards/iec/39bae631-d053-4383-b933-0caa6acf5560/iec-60598-2-13-2006>



## THIS PUBLICATION IS COPYRIGHT PROTECTED

Copyright © 2012 IEC, Geneva, Switzerland

All rights reserved. Unless otherwise specified, no part of this publication may be reproduced or utilized in any form or by any means, electronic or mechanical, including photocopying and microfilm, without permission in writing from either IEC or IEC's member National Committee in the country of the requester.

If you have any questions about IEC copyright or have an enquiry about obtaining additional rights to this publication, please contact the address below or your local IEC member National Committee for further information.

Droits de reproduction réservés. Sauf indication contraire, aucune partie de cette publication ne peut être reproduite ni utilisée sous quelque forme que ce soit et par aucun procédé, électronique ou mécanique, y compris la photocopie et les microfilms, sans l'accord écrit de la CEI ou du Comité national de la CEI du pays du demandeur.

Si vous avez des questions sur le copyright de la CEI ou si vous désirez obtenir des droits supplémentaires sur cette publication, utilisez les coordonnées ci-après ou contactez le Comité national de la CEI de votre pays de résidence.

IEC Central Office  
3, rue de Varembe  
CH-1211 Geneva 20  
Switzerland

Tel.: +41 22 919 02 11  
Fax: +41 22 919 03 00  
[info@iec.ch](mailto:info@iec.ch)  
[www.iec.ch](http://www.iec.ch)

### About the IEC

The International Electrotechnical Commission (IEC) is the leading global organization that prepares and publishes International Standards for all electrical, electronic and related technologies.

### About IEC publications

The technical content of IEC publications is kept under constant review by the IEC. Please make sure that you have the latest edition, a corrigenda or an amendment might have been published.

#### Useful links:

IEC publications search - [www.iec.ch/searchpub](http://www.iec.ch/searchpub)

The advanced search enables you to find IEC publications by a variety of criteria (reference number, text, technical committee,...).

It also gives information on projects, replaced and withdrawn publications.

IEC Just Published - [webstore.iec.ch/justpublished](http://webstore.iec.ch/justpublished)

Stay up to date on all new IEC publications. Just Published details all new publications released. Available on-line and also once a month by email.

Electropedia - [www.electropedia.org](http://www.electropedia.org)

The world's leading online dictionary of electronic and electrical terms containing more than 30 000 terms and definitions in English and French, with equivalent terms in additional languages. Also known as the International Electrotechnical Vocabulary (IEV) on-line.

Customer Service Centre - [webstore.iec.ch/csc](http://webstore.iec.ch/csc)

If you wish to give us your feedback on this publication or need further assistance, please contact the Customer Service Centre: [csc@iec.ch](mailto:csc@iec.ch).

### A propos de la CEI

La Commission Electrotechnique Internationale (CEI) est la première organisation mondiale qui élabore et publie des Normes internationales pour tout ce qui a trait à l'électricité, à l'électronique et aux technologies apparentées.

### A propos des publications CEI

Le contenu technique des publications de la CEI est constamment revu. Veuillez vous assurer que vous possédez l'édition la plus récente, un corrigendum ou amendement peut avoir été publié.

#### Liens utiles:

Recherche de publications CEI - [www.iec.ch/searchpub](http://www.iec.ch/searchpub)

La recherche avancée vous permet de trouver des publications CEI en utilisant différents critères (numéro de référence, texte, comité d'études,...).

Elle donne aussi des informations sur les projets et les publications remplacées ou retirées.

Just Published CEI - [webstore.iec.ch/justpublished](http://webstore.iec.ch/justpublished)

Restez informé sur les nouvelles publications de la CEI. Just Published détaille les nouvelles publications parues. Disponible en ligne et aussi une fois par mois par email.

Electropedia - [www.electropedia.org](http://www.electropedia.org)

Le premier dictionnaire en ligne au monde de termes électroniques et électriques. Il contient plus de 30 000 termes et définitions en anglais et en français, ainsi que les termes équivalents dans les langues additionnelles. Egalement appelé Vocabulaire Electrotechnique International (VEI) en ligne.

Service Clients - [webstore.iec.ch/csc](http://webstore.iec.ch/csc)

Si vous désirez nous donner des commentaires sur cette publication ou si vous avez des questions contactez-nous: [csc@iec.ch](mailto:csc@iec.ch).

# INTERNATIONAL STANDARD

# NORME INTERNATIONALE



---

**Luminaire –**  
**Part 2-13: Particular requirements – Ground recessed luminaire**

**Luminaire –**  
**Partie 2-13: Règles particulières – Luminaire encastré dans le sol**

[IEC 60598-2-13:2006](https://standards.iteh.ai/catalog/standards/iec/39bae631-d053-4383-b933-0caa6acf5560/iec-60598-2-13-2006)

<https://standards.iteh.ai/catalog/standards/iec/39bae631-d053-4383-b933-0caa6acf5560/iec-60598-2-13-2006>

INTERNATIONAL  
ELECTROTECHNICAL  
COMMISSION

COMMISSION  
ELECTROTECHNIQUE  
INTERNATIONALE

---

ICS 29.140.40

ISBN 978-2-88912-883-9

**Warning! Make sure that you obtained this publication from an authorized distributor.**  
**Attention! Veuillez vous assurer que vous avez obtenu cette publication via un distributeur agréé.**

## CONTENTS

FOREWORD.....	3
13.1 Scope.....	5
13.2 General test requirements .....	5
13.3 Definitions .....	5
13.4 Classification.....	5
13.5 Marking .....	5
13.6 Construction.....	6
13.7 Creepage distances and clearances .....	11
13.8 Provisions for earthing .....	11
13.9 Terminals .....	11
13.10 External and internal wiring .....	11
13.11 Protection against electric shock .....	11
13.12 Endurance test and thermal test.....	11
13.13 Resistance to dust, solid objects and moisture .....	12
13.14 Insulation resistance and electric strength.....	12
13.15 Resistance to heat, fire and tracking .....	12
Annex A (informative) Guide to good installation practice .....	13

**ITeH Standards**  
**(<https://standards.iteh.ai>)**  
**Document Preview**

[IEC 60598-2-13:2006](#)

<https://standards.iteh.ai/catalog/standards/iec/39bae631-d053-4383-b933-0caa6acf5560/iec-60598-2-13-2006>

## INTERNATIONAL ELECTROTECHNICAL COMMISSION

## LUMINAIRES –

**Part 2-13: Particular requirements –  
Ground recessed luminaires**

## FOREWORD

- 1) The International Electrotechnical Commission (IEC) is a worldwide organization for standardization comprising all national electrotechnical committees (IEC National Committees). The object of IEC is to promote international co-operation on all questions concerning standardization in the electrical and electronic fields. To this end and in addition to other activities, IEC publishes International Standards, Technical Specifications, Technical Reports, Publicly Available Specifications (PAS) and Guides (hereafter referred to as “IEC Publication(s)”). Their preparation is entrusted to technical committees; any IEC National Committee interested in the subject dealt with may participate in this preparatory work. International, governmental and non-governmental organizations liaising with the IEC also participate in this preparation. IEC collaborates closely with the International Organization for Standardization (ISO) in accordance with conditions determined by agreement between the two organizations.
- 2) The formal decisions or agreements of IEC on technical matters express, as nearly as possible, an international consensus of opinion on the relevant subjects since each technical committee has representation from all interested IEC National Committees.
- 3) IEC Publications have the form of recommendations for international use and are accepted by IEC National Committees in that sense. While all reasonable efforts are made to ensure that the technical content of IEC Publications is accurate, IEC cannot be held responsible for the way in which they are used or for any misinterpretation by any end user.
- 4) In order to promote international uniformity, IEC National Committees undertake to apply IEC Publications transparently to the maximum extent possible in their national and regional publications. Any divergence between any IEC Publication and the corresponding national or regional publication shall be clearly indicated in the latter.
- 5) IEC itself does not provide any attestation of conformity. Independent certification bodies provide conformity assessment services and, in some areas, access to IEC marks of conformity. IEC is not responsible for any services carried out by independent certification bodies.
- 6) All users should ensure that they have the latest edition of this publication.
- 7) No liability shall attach to IEC or its directors, employees, servants or agents including individual experts and members of its technical committees and IEC National Committees for any personal injury, property damage or other damage of any nature whatsoever, whether direct or indirect, or for costs (including legal fees) and expenses arising out of the publication, use of, or reliance upon, this IEC Publication or any other IEC Publications.
- 8) Attention is drawn to the Normative references cited in this publication. Use of the referenced publications is indispensable for the correct application of this publication.
- 9) Attention is drawn to the possibility that some of the elements of this IEC Publication may be the subject of patent rights. IEC shall not be held responsible for identifying any or all such patent rights.

**This consolidated version of IEC 60598-2-13 consists of the first edition (2006) [documents 34D/856/FDIS and 34D/860/RVD] and its amendment 1 (2011) [documents 34D/1009/CDV and 34D/1041/RVC]. It bears the edition number 1.1.**

**The technical content is therefore identical to the base edition and its amendment and has been prepared for user convenience. A vertical line in the margin shows where the base publication has been modified by amendment 1. Additions and deletions are displayed in red, with deletions being struck through.**

International Standard IEC 60598-2-13 has been prepared by subcommittee 34D: Luminaires, of IEC technical committee 34:Lamps and related equipment.

This publication has been drafted in accordance with the ISO/IEC Directives, Part 2.

This publication is intended to be read in conjunction with IEC 60598-1: *Luminaires – Part 1: General requirements and tests*. It was established on the basis of the sixth edition of that standard.

Part 2 of IEC 60598 consists of the following parts<sup>1</sup> under the general title *Luminaires – Part 2: Particular requirements*:

- Part 2-1: Fixed general purpose luminaires
- Part 2-2: Recessed luminaires
- Part 2-3: Luminaires for road and street lighting
- Part 2-4: Portable general purpose luminaires
- Part 2-5: Floodlights
- Part 2-6: Luminaires with built-in transformers for filament lamps
- Part 2-7: Portable luminaires for garden use
- Part 2-8: Handlamps
- Part 2-9: Photo and film luminaires (non-professional)
- Part 2-10: Portable luminaires for children
- Part 2-11: Aquarium luminaires
- Part 2-13: Ground recessed luminaires
- Part 2-17: Luminaires for stage lighting, television and film studios (outdoor and indoor)
- Part 2-18: Luminaires for swimming pools and similar applications
- Part 2-19: Air-handling luminaires (safety requirements)
- Part 2-20: Lighting chains
- Part 2-22: Luminaires for emergency lighting
- Part 2-23: Extra low voltage lighting systems for filament lamps
- Part 2-24: Luminaires with limited surface temperatures
- Part 2-25: Luminaires for use in clinical areas of hospitals and health care buildings

The committee has decided that the contents of the base publication and its amendments will remain unchanged until the stability date indicated on the IEC web site under "http://webstore.iec.ch" in the data related to the specific publication. At this date, the publication will be

- reconfirmed,
- withdrawn,
- replaced by a revised edition, or
- amended.

**IMPORTANT – The “colour inside” logo on the cover page of this publication indicates that it contains colours which are considered to be useful for the correct understanding of its contents. Users should therefore print this publication using a colour printer.**

<sup>1</sup> Other parts are under consideration.

## LUMINAIRES –

### Part 2-13: Particular requirements – Ground recessed luminaires

#### 13.1 Scope

This Part 2 of IEC 60598 specifies requirements for ground recessed luminaires incorporating electric light sources for operation from supply voltages up to 1 000 V, for indoor or outdoor use, e.g. in gardens, yards, carriageways, parking lots, cycleways, footways, pedestrian areas, swimming pools areas outside zones for SELV, nurseries and similar applications.

This part does not cover ground recessed luminaires for motorised roads and for airfields already specified in IEC 61827<sup>2</sup>.

#### 13.1.1 Normative references

The references of Section 0 of IEC 60598-1 apply.

#### 13.2 General test requirements

The provisions of Section 0 of IEC 60598-1 apply.

#### 13.3 Definitions

The definitions of Section 1 of IEC 60598-1 apply together with the following:

##### 13.3.1

##### **ground recessed luminaire**

luminaire suitable to be installed in the ground, having the supply connections and electrical components located below ground level

##### 13.3.2

##### **rated maximum surface temperature**

*T*

the highest temperature on the accessible outer surface, under normal operating conditions according to 13.12

#### 13.4 Classification

Luminaires shall be classified in accordance with Section 2 of IEC 60598-1.

#### 13.5 Marking

The provisions of Section 3 of IEC 60598-1 apply together with the requirements of 13.5.1 to 13.5.3

**13.5.1** Rated load in N, according to 13.6.1 (in the manufacturer's instructions).

---

<sup>2</sup> IEC 61827: *Electrical installation and beaconing of aerodromes – Characteristics of inset and elevated luminaires used in aerodromes.*

**13.5.2** Rated maximum surface temperature  $T$  in °C;  $T$  marking to be given on the luminaire according to second column (B) of Table 3.1 of IEC 60598-1 and/or in the manufacturer's instructions and catalogues.

**13.5.3** Information, in the manufacturer's instructions, concerning the external connecting box, if necessary.

*Compliance is checked by inspection.*

## 13.6 Construction

The provisions of Section 4 of IEC 60598-1 apply together with the requirements of 13.6.1 to 13.6.5

NOTE More samples could be necessary to perform all the tests, some of them possibly being destroyed.

### 13.6.1 Resistance to static load

Luminaires shall withstand the minimum static load according to the manufacturer's instructions.

*Compliance is checked by the following test:*

*The sample is mounted as in normal use, in accordance with the manufacturer's instructions. ~~The test load, to be maintained with a tolerance of  $\pm 3\%$ , shall be applied to the top side of the luminaire by a cylindrical rubber punch having the following characteristics:~~*

- ~~— diameter = 50 mm, or luminaire diameter  $D$  (see Figure 1) if smaller than 50 mm;~~
- ~~— hardness "shore A" =  $65 \pm 5$ ;~~
- ~~— thickness = 50 mm~~

*The test load, to be maintained with a tolerance of  $\pm 3\%$ , shall be applied to the top side of the luminaire by a cylindrical steel punch equipped with a sheet of rubber in contact to the luminaire.*

*The punch shall have a diameter of 50 mm, or luminaire diameter  $D$  (see Figure 1) if smaller than 50 mm.*

*The thickness of the steel punch shall be 50 mm.*

*The rubber shall have the following characteristics:*

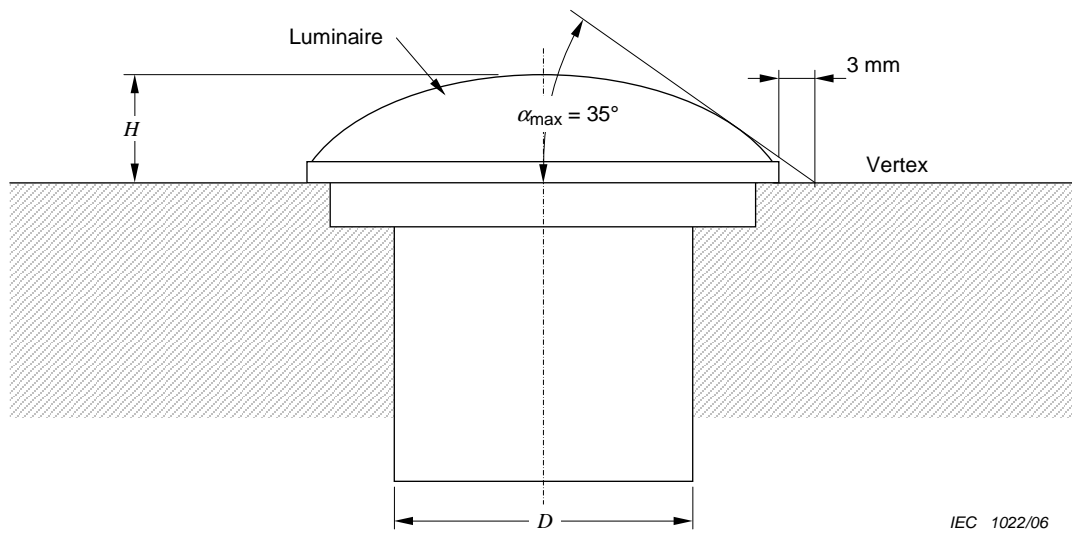
- ~~– hardness "shore A" (the hardness measured with the durometer type A) =  $65 \pm 5$ ;~~
- ~~– thickness = 10 mm.~~

*It shall be set in such a way that, during the test, the vertical axis is perpendicular and coincides with the geometrical centre of the translucent cover (see Figure 2).*

*The load shall then be applied uniformly by the rubber punch, at a rate not greater than 5 000 N/min. The maximum load shall be applied for 1 min.*

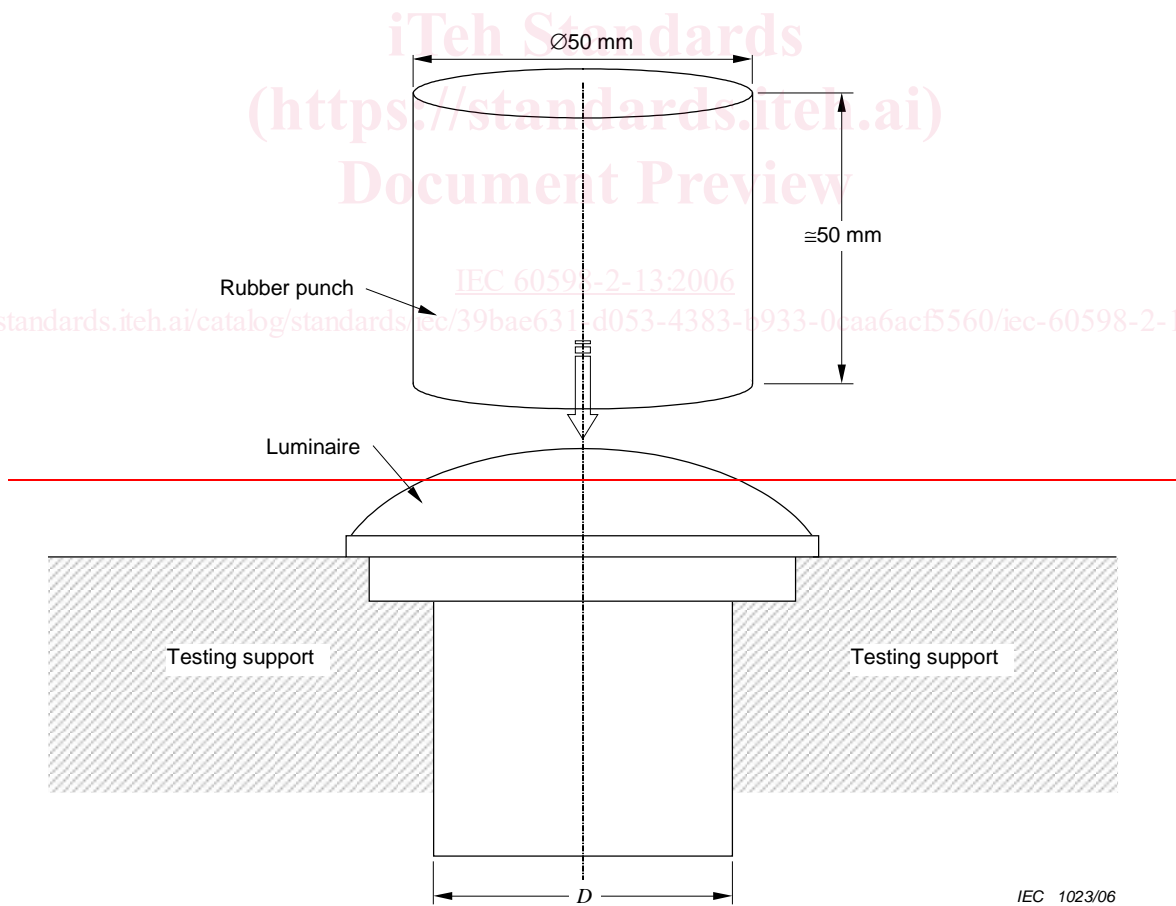
*After the test the sample shall comply with the conformity requirements of IEC 60598-1, Subclause 4.13.1 (i.e.: as applied following the mechanical impact test).*





IEC 1022/06

Figure 1 – Basic dimensions quoted in Annex A



IEC 1023/06

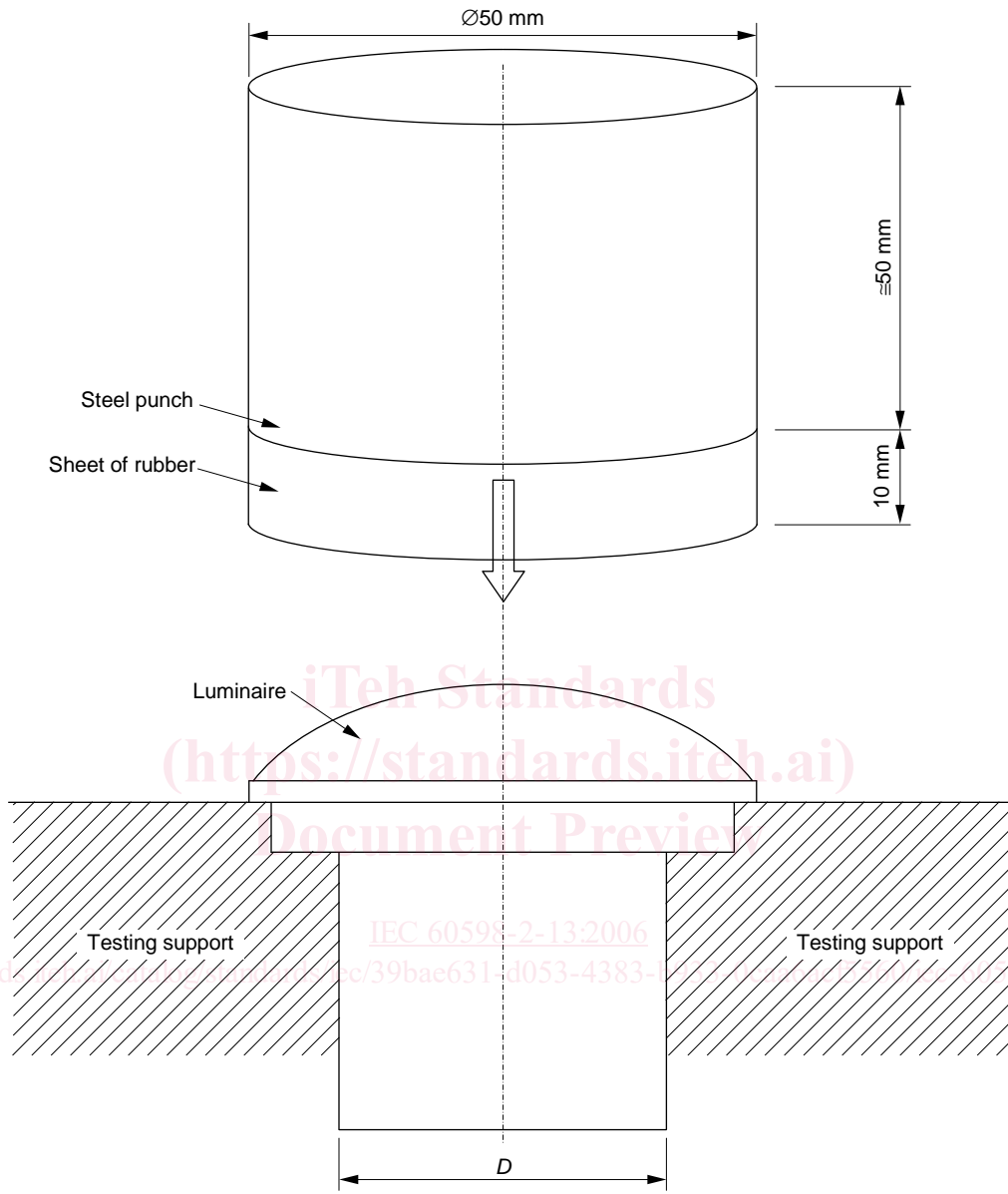


Figure 2 – Static load test apparatus

### 13.6.2 Resistance to torque and shear loads

Luminaires designed to be used in areas where motor vehicles may circulate, carriageways, parking areas, etc. (see items 3 and 4 in Table A.1) shall withstand the forces exerted by a turning, braking or accelerating tire.

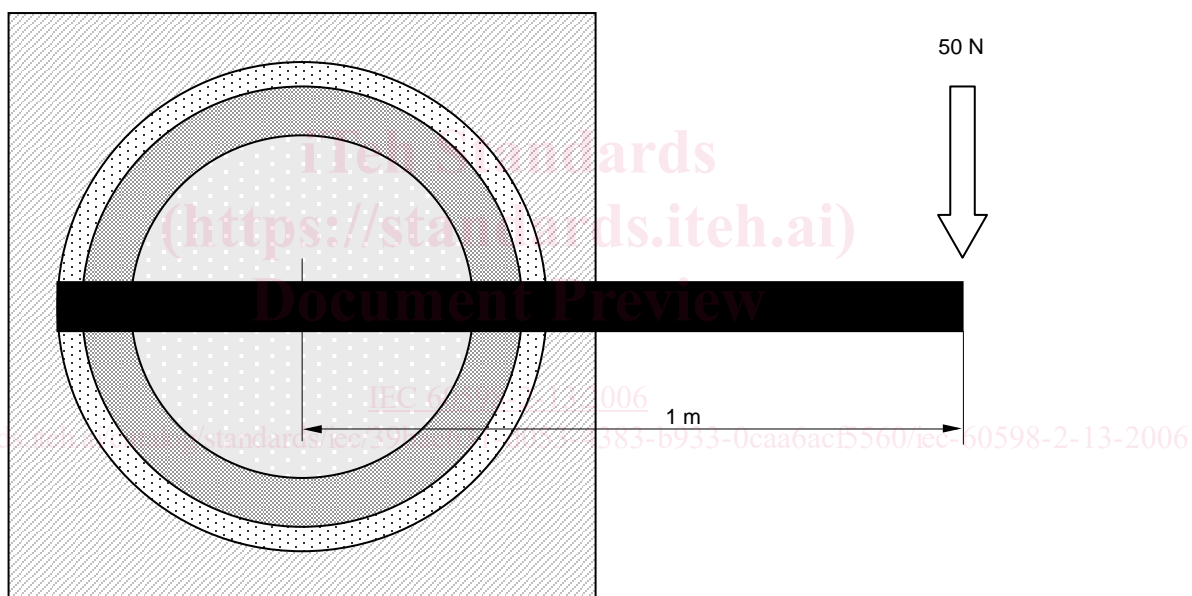
*Compliance is checked by the tests of 13.6.2.1 and 13.6.2.2*

#### 13.6.2.1 Torque test

Parts of luminaire that may be subjected to rotational force shall have adequate mechanical strength. The joints between these parts shall be subject to a 50 N torque force for one minute (see Figure 3). Each joint shall be tested separately.

*After the test, the sample shall comply with the conformity requirements of IEC 60598-1, Subclause 4.13.1 (i.e. as applied following mechanical impact test)*

NOTE The test is intended to check both the components fixing and the luminaire to ground fixing.



Push force applied to bar = 50 N/60 s (example)

IEC 1024/06

**Figure 3 – Illustration of torque test**