



Designation: **D3603—14** **D3603 – 20**

## Standard Test Method for Rust-Preventing Characteristics of Steam Turbine Oil in the Presence of Water (Horizontal Disk Method)<sup>1</sup>

This standard is issued under the fixed designation D3603; the number immediately following the designation indicates the year of original adoption or, in the case of revision, the year of last revision. A number in parentheses indicates the year of last reappraisal. A superscript epsilon ( $\epsilon$ ) indicates an editorial change since the last revision or reappraisal.

### 1. Scope\*

1.1 This test method covers the ability of steam-turbine oils to prevent the rusting of horizontal and vertical ferrous surfaces when water becomes mixed with the oil.

1.2 The values stated in SI units are to be regarded as standard. The values given in parentheses are for information only.

1.3 *This standard does not purport to address all of the safety concerns, if any, associated with its use. It is the responsibility of the user of this standard to establish appropriate safety, health, and environmental practices and determine the applicability of regulatory limitations prior to use.*

1.4 *This international standard was developed in accordance with internationally recognized principles on standardization established in the Decision on Principles for the Development of International Standards, Guides and Recommendations issued by the World Trade Organization Technical Barriers to Trade (TBT) Committee.*

### 2. Referenced Documents

#### 2.1 ASTM Standards:<sup>2</sup>

[A108](#) Specification for Steel Bar, Carbon and Alloy, Cold-Finished

[A240/A240M](#) Specification for Chromium and Chromium-Nickel Stainless Steel Plate, Sheet, and Strip for Pressure Vessels and for General Applications

[D91](#) Test Method for Precipitation Number of Lubricating Oils

[D665](#) Test Method for Rust-Preventing Characteristics of Inhibited Mineral Oil in the Presence of Water

[D1193](#) Specification for Reagent Water

[D4175](#) Terminology Relating to Petroleum Products, Liquid Fuels, and Lubricants

[E1](#) Specification for ASTM Liquid-in-Glass Thermometers

[E2251](#) Specification for Liquid-in-Glass ASTM Thermometers with Low-Hazard Precision Liquids

#### 2.2 Other Standards:

[IP 60/80](#) Specification for Petroleum Spirit<sup>3</sup>

[SAE 30304](#) Steel, Corrosion-Resistant, Sheet, Strip, and Plate, 19Cr - 9.2Ni<sup>4</sup>

[BS 970:Part 1:1983](#) Specification for wrought steels for mechanical and allied engineering purposes. General inspection and

<sup>1</sup> This test method is under the jurisdiction of ASTM Committee D02 on Petroleum Products, Liquid Fuels, and Lubricants and is the direct responsibility of D02.C0.02 on Corrosion and Water/Air Separability.

Current edition approved Dec. 1, 2014 Dec. 1, 2020. Published February 2015 December 2020. Originally approved in 1977. Last previous edition approved in 2007 2014 as [D3603 – 07](#) [D3603 – 14](#). DOI: [10.1520/D3603-14](#) [10.1520/D3603-20](#).

<sup>2</sup> For referenced ASTM standards, visit the ASTM website, [www.astm.org](#), or contact ASTM Customer Service at [service@astm.org](#). For *Annual Book of ASTM Standards* volume information, refer to the standard's Document Summary page on the ASTM website.

<sup>3</sup> Available from Energy Institute, 61 New Cavendish St., London, W1G 7AR, U.K., [http://www.energyinst.org.uk](#).

<sup>4</sup> Available from SAE World Headquarters, 400 Commonwealth Drive, Warrendale, PA 15096-0001.

\*A Summary of Changes section appears at the end of this standard

testing procedures and specific requirements for carbon, carbon manganese, alloy and stainless steels<sup>5</sup>  
 BS 871:1981 Specification for abrasive papers and cloths

### 3. Terminology

#### 3.1 Definitions:

3.1.1 For definitions of terms used in this test method, refer to Terminology [D4175](#).

### 4. Summary of Test Method

4.1 The test method involves completely immersing a horizontal steel disk and vertical steel cylinder in a stirred mixture of 275 mL of the oil under test and 25 mL of distilled water (water conforming to Specification [D1193](#), Type II) at a temperature at 60 °C (140 °F).

4.2 The horizontal specimen allows water to puddle on the surface, and the vertical specimen is continually washed with the oil-water mixture during the test.

4.3 The test is run for 6 h and the specimens are evaluated.

### 5. Significance and Use

5.1 Horizontal metal surfaces, on which water droplets tend to be retained, are more prone to rusting and corrosion than vertical or sloping surfaces. This test method is therefore more discriminating than Test Method [D665](#) (Procedure A), since it gives a separate evaluation of the oil on a horizontal and a vertical surface. The test method indicates the ability of oils to prevent rusting and corrosion of all ferrous surfaces in steam turbines under full flow and quasi-static conditions. It is used for specification of new oils.

### 6. Apparatus

6.1 *Oil Bath*—A thermostatically controlled liquid bath capable of maintaining a temperature in the oil sample of 60 °C ± 1 °C (140 °F ± 2 °F). The bath shall have a cover with holes to accommodate the test beakers.

NOTE 1—The bath used for Test Method [D665](#) may be used with slight modification, that is, the centers of the beaker holes are moved from 6.4 mm to 18.3 mm (1/4 in. to 23/32 in.) from the axes of the stirrers.

NOTE 2—To indicate the temperature, a thermometer conforming to the requirements of ASTM Thermometer 9C or 9F, or IP Thermometer 21C, as prescribed in Specification [E1](#) should be used. Thermometric devices such as RTDs, thermistors, thermocouples, or a thermometer conforming to Specification [E2251](#) may be used.

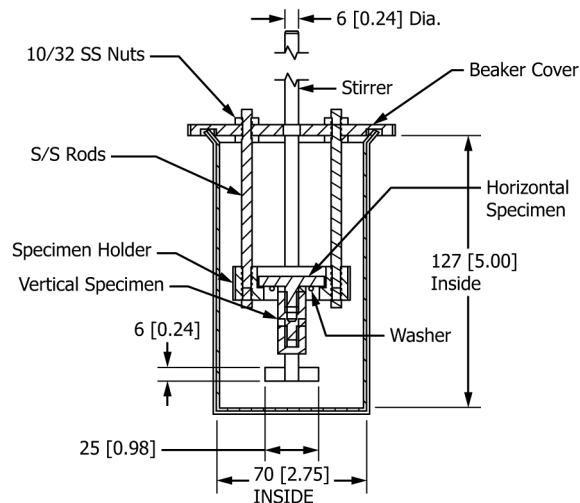
NOTE 3—Thermometer S130C (S130F) in Specification [E2251](#) may be suitable. Temperature range: -7 °C to 105 °C and scale error, max.: 0.5 °C as compared to Thermometer 9C with a temperature range of -5 °C to 110 °C and a scale error, max of 0.5 °C.

6.2 *Beaker*—A 400 mL, Berzelius-type, tall-form heat-resistant glass (see [Note 4](#)) beaker without pourout, as shown in [Fig. 1](#), approximately 127 mm (5 in.) in height measured from the inside bottom center and approximately 70 mm (2 3/4 in.) in inside diameter measured at the middle.

NOTE 4—Borosilicate glass is satisfactory for this purpose.

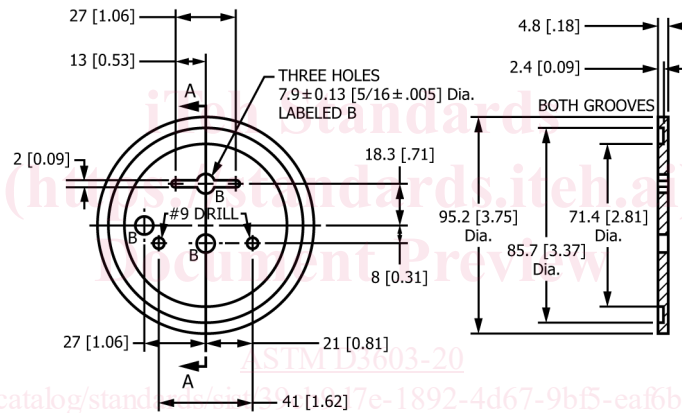
6.3 *Beaker Cover and Specimen Holder*—A flat beaker cover ([Fig. 2](#)) of methyl methacrylate resin or other fluid resistant material is kept in position by a suitable groove. Three holes are provided. Two are located on any diameter of the cover, one for a stirrer, and the other for attachment of a disk specimen to the underside of the cover for optional vapor phase testing. The third hole is for a thermometer, located on a diameter perpendicular to that of the other two holes. The outside of the polytetrafluoroethylene (PTFE) specimen holder ([Fig. 3](#)) is a square, but from the ends of one diagonal, two equal pieces of PTFE are cut off over the height of the holder. Two vertical threaded holes are made on the other diagonal of the square. The inside of the holder consists of two

<sup>5</sup> BSI, British Standards, 389 Chiswick High Road, London W4 4AL, United Kingdom.



NOTE 1—All dimensions are in millimetres (inches).  
 NOTE 2—Unless otherwise specified, tolerances will be  $\pm 0.5$  [ $\pm 0.02$ ].  
 NOTE 3—No direct equivalent available for 10-32 SS nut in metric system.

FIG. 1 Rusting Test Apparatus



NOTE 1—All dimensions are in millimetres (inches).  
 NOTE 2—Unless otherwise specified, tolerances will be  $\pm 0.5$  [ $\pm 0.02$ ].  
 NOTE 3—No direct equivalent available for #9 drill in metric system.

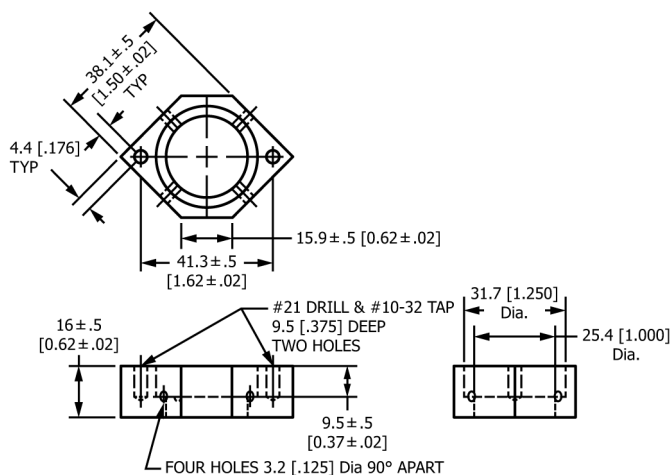
FIG. 2 Beaker Cover

cylindrical holes, one on top of the other. Four horizontal holes are drilled  $90^\circ$  apart on the circumference where the two cylindrical holes meet. The PTFE specimen holder is connected to the beaker cover by two stainless steel holding rods (Fig. 4). Both ends of each holding rod are threaded. The surfaces between the threads are polished with No. P180 (180) grit emery. The 12.7 mm threaded ends of the holding rods are screwed into the two vertical threaded holes of the specimen holder. The 19.0 mm threaded ends of the holding rods are connected to the beaker cover by putting them through two holes on a line perpendicular to the connection line of the centers of the earlier mentioned first and second hole of the beaker cover. Each holding rod is fastened by two 10-32 stainless steel nuts.

NOTE 5—An alternative design for the specimen holder assembly has also been used successfully. See Test Method D3603–82.

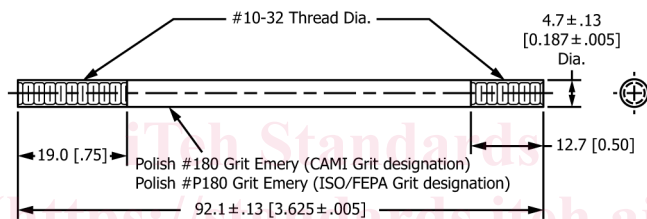
6.4 *Stirrer*—A stirrer constructed entirely from stainless steel in the form of an inverted T (Fig. 5). A flat blade 25.4 mm by 6.1 mm by 0.6 mm (1 in. by 0.24 in. by 0.024 in.) shall be attached to a 6.1 mm (0.24 in.) rod in such a way that the blade is symmetrical with the rod and has its flat surface in the vertical plane.

NOTE 6—A suitable material is an 18 % chromium, 8 % nickel alloy steel conforming to Type 304 of ASTM Specification A240/A240M or SAE No. 30304, or BS 970: Part I:1983:302531.



NOTE 1—All dimensions are in millimetres (inches).  
 NOTE 2—Unless otherwise specified, tolerances will be  $\pm 0.13$  [ $\pm 0.005$ ] and  $\pm 1^\circ$ .  
 NOTE 3—No direct equivalent available for #21 drill & #10-32 tap in metric system.

FIG. 3 Specimen Holder



NOTE 1—All dimensions are in millimetres (inches).  
 NOTE 2—Unless otherwise specified tolerances will be  $\pm 0.5$  [ $\pm 0.02$ ].  
 NOTE 3—No direct equivalent available for #10-32 thread in metric system.

FIG. 4 Holding Rod

ASTM D3603-20

NOTE 7—If stainless steel is not obtainable, stirrers made of heat-resistant glass (Note 4) and having approximately the same dimensions as the stainless steel stirrers may be used.

6.5 *Stirring Apparatus*—Any convenient form of stirring apparatus capable of maintaining a speed of 1000 r/min  $\pm$  50 r/min.

6.6 *Grinding and Polishing Equipment*—A CAMI 150 grit (99  $\mu$ m) and a CAMI 240 grit (53.5  $\mu$ m) in accordance with BS 871 or its equivalent, metalworking aluminum oxide abrasive cloth coat on a jeans backing (the corresponding European grades (FEPA) are P150J and P280J, respectively), a suitable chuck (Fig. 6) for holding the specimen, and a means of rotating the specimen at a speed of 1700 r/min to 1800 r/min.

NOTE 8—CAMI (Coated Abrasives Manufacturers Institute) is a United States organization and FEPA (Federations of European Producers of Abrasives) is a European organization.

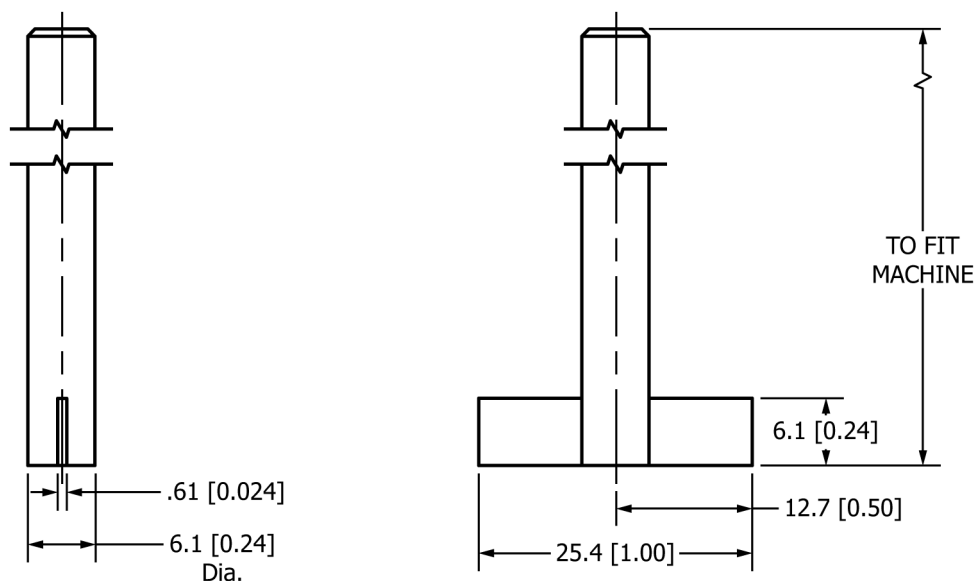
## 7. Reagents and Materials

7.1 *Cleaning Agents*—One of the following shall be used:

7.1.1 *ASTM Precipitation Naphtha*, conforming to Test Method D91. (**Warning**—Flammable. Health hazard.)

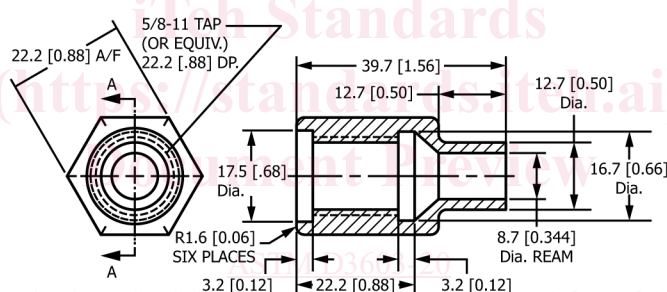
7.1.2 *Isooctane-octane*,—conforming to Annex II on Reference Materials and Blending Accessories (see Annex II, Reference Materials and Blending Accessories, Motor Section<sup>6</sup>). Previously used, unruled specimens shall be stored in this reagent. (**Warning**—Flammable. Health hazard.)

<sup>6</sup> Last printed in the 1996 Annual Book of ASTM Standards, Vol 05.04.



- NOTE 1—All dimensions are in millimetres (inches).  
 NOTE 2—<sup>125</sup> all over.  
 NOTE 3—All dimensions  $\pm 0.5$  mm (0.02 in.).  
 NOTE 4—Break all sharp corners.

FIG. 5 Stirrer



- NOTE 1—Tap dimensions are in inches. All others are in millimetres (inches).  
 NOTE 2—<sup>125</sup> all over.  
 NOTE 3—All dimensions  $\pm 0.5$  mm (0.02 in.).  
 NOTE 4—Break all sharp corners.

FIG. 6 Chuck for Polishing Test Specimens

7.1.3 *IP Petroleum Spirit*, conforming to IP 60/80. (**Warning**—Flammable. Health hazard.)

## 8. Test Specimens and Their Preparation

8.1 The horizontal and vertical specimens (Fig. 7 and Fig. 8, respectively) are attached to one another, separated by a fluorocarbon washer of diameter 2.4 mm ( $\frac{3}{32}$ -in.) (Fig. 9). A methyl methacrylate cap (Fig. 10) is attached to the vertical specimen for handling.

8.2 The horizontal specimen when new shall be 30.2 mm ( $1\frac{3}{16}$  in.) in diameter and 4.8 mm ( $\frac{3}{16}$  in.) thick, with a 6.4 mm ( $\frac{1}{4}$ -in.) central threaded shaft 9.5 mm ( $\frac{3}{8}$  in.) long. Specimens should be discarded when they reach a thickness of 1.6 mm ( $\frac{1}{16}$  in.) after repeated use.

8.3 The vertical specimen when new shall be 12.7 mm ( $\frac{1}{2}$  in.) in diameter and 15.9 mm ( $\frac{5}{8}$  in.) in length exclusive of the 9.5 mm ( $\frac{3}{8}$  in.) threaded shaft which screws into the 15.9 mm plastic cap. Specimens should be discarded when they reach a diameter of 9.5 mm after repeated use.

8.4 Both specimens shall be made of steel conforming to Grade 1018 of Specification A108, or to BS 970: 1955-EN3B.