

# TECHNICAL REPORT



**Optical amplifiers –** **STANDARD PREVIEW**  
**Part 9: Semiconductor optical amplifiers (SOAs)**  
(standards.iteh.ai)

IEC TR 61292-9:2023

<https://standards.iteh.ai/catalog/standards/sist/a97b5333-a9f4-412e-96ac-6a7f2ce6428b/iec-tr-61292-9-2023>



**THIS PUBLICATION IS COPYRIGHT PROTECTED**  
**Copyright © 2023 IEC, Geneva, Switzerland**

All rights reserved. Unless otherwise specified, no part of this publication may be reproduced or utilized in any form or by any means, electronic or mechanical, including photocopying and microfilm, without permission in writing from either IEC or IEC's member National Committee in the country of the requester. If you have any questions about IEC copyright or have an enquiry about obtaining additional rights to this publication, please contact the address below or your local IEC member National Committee for further information.

IEC Secretariat  
3, rue de Varembe  
CH-1211 Geneva 20  
Switzerland

Tel.: +41 22 919 02 11  
[info@iec.ch](mailto:info@iec.ch)  
[www.iec.ch](http://www.iec.ch)

**About the IEC**

The International Electrotechnical Commission (IEC) is the leading global organization that prepares and publishes International Standards for all electrical, electronic and related technologies.

**About IEC publications**

The technical content of IEC publications is kept under constant review by the IEC. Please make sure that you have the latest edition, a corrigendum or an amendment might have been published.

**IEC publications search - [webstore.iec.ch/advsearchform](http://webstore.iec.ch/advsearchform)**

The advanced search enables to find IEC publications by a variety of criteria (reference number, text, technical committee, ...). It also gives information on projects, replaced and withdrawn publications.

**IEC Products & Services Portal - [products.iec.ch](http://products.iec.ch)**

Discover our powerful search engine and read freely all the publications previews. With a subscription you will always have access to up to date content tailored to your needs.

**IEC Just Published - [webstore.iec.ch/justpublished](http://webstore.iec.ch/justpublished)**

Stay up to date on all new IEC publications. Just Published details all new publications released. Available online and once a month by email.

**Electropedia - [www.electropedia.org](http://www.electropedia.org)**

The world's leading online dictionary on electrotechnology, containing more than 22 300 terminological entries in English and French, with equivalent terms in 19 additional languages. Also known as the International Electrotechnical Vocabulary (IEV) online.

**IEC Customer Service Centre - [webstore.iec.ch/csc](http://webstore.iec.ch/csc)**

If you wish to give us your feedback on this publication or need further assistance, please contact the Customer Service Centre: [sales@iec.ch](mailto:sales@iec.ch).

[IEC TR 61292-9:2023](https://standards.iteh.ai/catalog/standards/sist/a9765353-a914-412e-96ac-6a712ce6428b/iec-tr-61292-9-2023)

<https://standards.iteh.ai/catalog/standards/sist/a9765353-a914-412e-96ac-6a712ce6428b/iec-tr-61292-9-2023>

# TECHNICAL REPORT



---

**Optical amplifiers –** **STANDARD PREVIEW**  
**Part 9: Semiconductor optical amplifiers (SOAs)**  
(standards.iteh.ai)

[IEC TR 61292-9:2023](https://standards.iteh.ai/catalog/standards/sist/a97b5333-a9f4-412e-96ac-6a7f2ce6428b/iec-tr-61292-9-2023)

<https://standards.iteh.ai/catalog/standards/sist/a97b5333-a9f4-412e-96ac-6a7f2ce6428b/iec-tr-61292-9-2023>

INTERNATIONAL  
ELECTROTECHNICAL  
COMMISSION

---

ICS 33.160.10; 33.180.30

ISBN 978-2-8322-6344-0

**Warning! Make sure that you obtained this publication from an authorized distributor.**

## CONTENTS

FOREWORD.....	4
INTRODUCTION.....	6
1 Scope.....	7
2 Normative references .....	7
3 Terms, definitions, abbreviated terms and symbols.....	7
3.1 Terms and definitions.....	7
3.2 Abbreviated terms.....	8
3.3 Symbols.....	9
4 Specific features of SOAs.....	9
4.1 SOA chips.....	9
4.2 Gain ripple .....	12
4.2.1 General .....	12
4.2.2 Theoretical calculation of gain ripple.....	14
4.3 Polarization dependent gain (PDG).....	17
4.3.1 General .....	17
4.3.2 Polarization insensitive SOAs .....	17
4.4 Noise figure (NF) .....	18
4.5 Lifetime of carriers .....	18
4.6 Nonlinear effects.....	18
5 Measurement of SOA output power and PDG .....	18
5.1 Narrow-band versus broadband light source .....	18
5.2 Examples of measurement results .....	19
Annex A (informative) Applications of SOAs.....	23
A.1 General.....	23
A.2 Polarization mode of SOAs .....	23
A.3 Reach extender for GPON .....	23
A.4 Pre-amplifier in transceivers for 100 Gbit Ethernet.....	23
A.5 Monolithic integration of SOAs.....	24
A.6 Reflective SOAs (RSOAs).....	25
Bibliography.....	26
Figure 1 – Schematic diagram of the typical SOA chip .....	10
Figure 2 – Example of gain dependency of an SOA chip on forward current.....	10
Figure 3 – Schematic top view of a typical SOA chip with and without an angled waveguide structure.....	11
Figure 4 – Schematic top view of a typical SOA module.....	12
Figure 5 – Schematic diagram of the optical feedback inside the SOA chip.....	13
Figure 6 – Schematic diagram of gain ripple .....	13
Figure 7 – Illustrated model of a Fabry-Perot type SOA .....	14
Figure 8 – Illustrated model of ASE output from an SOA.....	15
Figure 9 – SOA output power and PDG dependence on wavelength .....	19
Figure 10 – Optical power spectra of three different SOA chips.....	20
Figure 11 – Output power and PDG of SOA chip sample 1 as a function of $I_F$ .....	21
Figure 12 – Output power and PDG of SOA chip sample 2 as a function of $I_F$ .....	21

Figure 13 – Output power and PDG of SOA chip sample 3 as a function of $I_F$ .....	22
Figure A.1 – Schematic diagram of the receiver section of SOA-incorporated CFP transceivers .....	24
Figure A.2 – Schematic diagram of the DFB-LDs-array type wavelength tuneable LD .....	25
Figure A.3 – Schematic diagram of a seeded WDM-PON system .....	25

**iTeh STANDARD PREVIEW**  
**(standards.iteh.ai)**

[IEC TR 61292-9:2023](https://standards.iteh.ai/catalog/standards/sist/a97b5333-a9f4-412e-96ac-6a7f2ce6428b/iec-tr-61292-9-2023)

<https://standards.iteh.ai/catalog/standards/sist/a97b5333-a9f4-412e-96ac-6a7f2ce6428b/iec-tr-61292-9-2023>

## INTERNATIONAL ELECTROTECHNICAL COMMISSION

## OPTICAL AMPLIFIERS –

## Part 9: Semiconductor optical amplifiers (SOAs)

## FOREWORD

- 1) The International Electrotechnical Commission (IEC) is a worldwide organization for standardization comprising all national electrotechnical committees (IEC National Committees). The object of IEC is to promote international co-operation on all questions concerning standardization in the electrical and electronic fields. To this end and in addition to other activities, IEC publishes International Standards, Technical Specifications, Technical Reports, Publicly Available Specifications (PAS) and Guides (hereafter referred to as “IEC Publication(s)”). Their preparation is entrusted to technical committees; any IEC National Committee interested in the subject dealt with may participate in this preparatory work. International, governmental and non-governmental organizations liaising with the IEC also participate in this preparation. IEC collaborates closely with the International Organization for Standardization (ISO) in accordance with conditions determined by agreement between the two organizations.
- 2) The formal decisions or agreements of IEC on technical matters express, as nearly as possible, an international consensus of opinion on the relevant subjects since each technical committee has representation from all interested IEC National Committees.
- 3) IEC Publications have the form of recommendations for international use and are accepted by IEC National Committees in that sense. While all reasonable efforts are made to ensure that the technical content of IEC Publications is accurate, IEC cannot be held responsible for the way in which they are used or for any misinterpretation by any end user.
- 4) In order to promote international uniformity, IEC National Committees undertake to apply IEC Publications transparently to the maximum extent possible in their national and regional publications. Any divergence between any IEC Publication and the corresponding national or regional publication shall be clearly indicated in the latter.
- 5) IEC itself does not provide any attestation of conformity. Independent certification bodies provide conformity assessment services and, in some areas, access to IEC marks of conformity. IEC is not responsible for any services carried out by independent certification bodies.
- 6) All users should ensure that they have the latest edition of this publication.
- 7) No liability shall attach to IEC or its directors, employees, servants or agents including individual experts and members of its technical committees and IEC National Committees for any personal injury, property damage or other damage of any nature whatsoever, whether direct or indirect, or for costs (including legal fees) and expenses arising out of the publication, use of, or reliance upon, this IEC Publication or any other IEC Publications.
- 8) Attention is drawn to the Normative references cited in this publication. Use of the referenced publications is indispensable for the correct application of this publication.
- 9) Attention is drawn to the possibility that some of the elements of this IEC Publication may be the subject of patent rights. IEC shall not be held responsible for identifying any or all such patent rights.

IEC TR 61292-9 has been prepared by subcommittee 86C: Fibre optic systems and active devices, of IEC technical committee 86: Fibre optics. It is a Technical Report.

This third edition cancels and replaces the second edition published in 2017. This edition constitutes a technical revision.

This edition includes the following significant technical changes with respect to the previous edition:

- a) revised definitions for SOAs in 3.1;
- b) added more theoretical background on gain ripple measurements using amplified spontaneous emission (ASE) spectrum in 4.3;
- c) removed the formerly preferred set-up for output power and PDG measurements in Clause 5.

The text of this Technical Report is based on the following documents:

Draft	Report on voting
86C/1820/DTR	86C/1830/RVDTR

Full information on the voting for its approval can be found in the report on voting indicated in the above table.

The language used for the development of this Technical Report is English.

This document was drafted in accordance with ISO/IEC Directives, Part 2, and developed in accordance with ISO/IEC Directives, Part 1 and ISO/IEC Directives, IEC Supplement, available at [www.iec.ch/members\\_experts/refdocs](http://www.iec.ch/members_experts/refdocs). The main document types developed by IEC are described in greater detail at [www.iec.ch/publications](http://www.iec.ch/publications).

A list of all parts in the IEC 61292 series, published under the general title *Optical amplifiers*, can be found on the IEC website.

The committee has decided that the contents of this document will remain unchanged until the stability date indicated on the IEC website under [webstore.iec.ch](http://webstore.iec.ch) in the data related to the specific document. At this date, the document will be

- reconfirmed,
- withdrawn,
- replaced by a revised edition, or
- amended.

[IEC TR 61292-9:2023](https://standards.iteh.ai/catalog/standards/sist/a97b5333-a9f1-412e-96ac-6a7f7ce6428b/iec-tr-61292-9-2023)

[https://standards.iteh.ai/catalog/standards/sist/a97b5333-a9f1-412e-96ac-6a7f7ce6428b/iec-tr-](https://standards.iteh.ai/catalog/standards/sist/a97b5333-a9f1-412e-96ac-6a7f7ce6428b/iec-tr-61292-9-2023)

**IMPORTANT – The "colour inside" logo on the cover page of this document indicates that it contains colours which are considered to be useful for the correct understanding of its contents. Users should therefore print this document using a colour printer.**

## INTRODUCTION

Optical amplifiers (OAs) are essential components for fibre optic communication systems, where they serve as booster amplifiers, in-line amplifiers, and pre-amplifiers. Numerous standards have been published for OAs (e.g., the IEC 61290 series and IEC 61291 series). However, most of these standards focus on optical fibre amplifiers (OFAs) because these are commonly deployed in commercial fibre optic networks. Recently, semiconductor optical amplifiers (SOAs) have attracted attention for applications in Gbit passive optical networks (GPONs) and Gbit Ethernet (GbE) systems, which operate at line rates of 100 Gbit/s and beyond. SOA chips are as small as laser diodes (LDs) and are directly driven by an electrical current.

Although SOAs operating in the 1 310 nm or 1 550 nm wavelength bands have been extensively studied since the 1980s, SOAs have mostly been used in laboratories or in field trials. This is due to certain performance limitations of SOAs, such as gain ripple and polarization dependent gain (PDG). As a result, there are few IEC documents addressing SOAs. One exception is IEC TR 61292-3, which is a Technical Report on classification, characteristics, and applications of OAs including SOAs. However, IEC TR 61292-3 presents only general information on SOAs and does not contain detailed information on test methods for measuring the particular performance parameters of SOAs.

IEC 61290-1-1:2020 describes test methods for power and gain parameters of OAs, which includes a method for gain ripple measurements on SOAs. This document has been revised to harmonize its content with IEC 61290-1-1 and with IEC 61291-2.

This document provides more detailed descriptions of the specific features of SOAs, including information on gain ripple and PDG.

[IEC TR 61292-9:2023](https://standards.iteh.ai/catalog/standards/sist/a97b5333-a9f4-412e-96ac-6a7f2ce6428b/iec-tr-61292-9-2023)

<https://standards.iteh.ai/catalog/standards/sist/a97b5333-a9f4-412e-96ac-6a7f2ce6428b/iec-tr-61292-9-2023>



## OPTICAL AMPLIFIERS –

### Part 9: Semiconductor optical amplifiers (SOAs)

#### 1 Scope

This part of IEC 61292, which is a Technical Report, describes the characteristic features of semiconductor optical amplifiers (SOAs), including the specific features of gain ripple and polarization dependent gain (PDG).

This document focuses on amplifying applications of SOAs. Other applications, such as modulation, switching and non-linear functions, are not covered.

Potential applications of SOAs, such as reflective SOAs (RSOAs) for the seeded wavelength division multiplexing passive optical network (WDM-PON), are reviewed in Annex A.

#### 2 Normative references

The following documents are referred to in the text in such a way that some or all of their content constitutes requirements of this document. For dated references, only the edition cited applies. For undated references, the latest edition of the referenced document (including any amendments) applies.

IEC 61291-1:2018, *Optical amplifiers – Part 1: Generic specification*

IEC 61291-2:2016, *Optical amplifiers – Part 2: Single channel applications – Performance specification template*

#### 3 Terms, definitions, abbreviated terms and symbols

##### 3.1 Terms and definitions

For the purposes of this document, the terms and definitions given in IEC 61291-1:2018, IEC 61291-2:2016, and the following apply.

ISO and IEC maintain terminological databases for use in standardization at the following addresses:

- IEC Electropedia: available at <http://www.electropedia.org/>
- ISO Online browsing platform: available at <http://www.iso.org/obp>

##### 3.1.1

##### **SOA**

##### **semiconductor optical amplifier**

optical amplifier in which the active optical waveguide is formed by a semiconductor laser diode structure, which is electrically pumped

Note 1 to entry: SOAs have a similar structure to Fabry-Perot semiconductor laser diodes but with anti-reflection elements at the end surfaces. The optical signal is amplified through the stimulated emission phenomenon in the gain medium.

[SOURCE: IEC 61291-2:2016, 3.1.3, modified – Note 1 to entry has been added.]

**3.1.2****SOA chip**

semiconductor chip that is the active component of the SOA module

**3.1.3****SOA module**

fibre-pigtailed optical component that consists of the SOA chip, lenses, optical isolators (if necessary), a thermoelectric cooler (TEC), a thermistor, a package, and optical fibre(s)

**3.1.4****population inversion factor**
 $n_{\text{sp}}$ 

ratio of the injected carrier density  $N$  to the subtraction of the carrier density  $N_0$  where the stimulated emission is equal to the stimulated absorption from  $N$

$$n_{\text{sp}} = \frac{N}{N - N_0}$$

Note 1 to entry: In the semiconductor optical amplifier (SOA) field, the population inversion factor is composed of not only carrier density parameters but also combination of the confinement factor  $\Gamma$ , the optical gain  $g$ , and internal optical losses  $\alpha$  of the optical waveguide of SOA chip. It is defined as:

$$n_{\text{sp}} = \frac{N}{N - N_0} \times \frac{\Gamma \times g}{\Gamma \times g - \alpha}$$

Note 2 to entry: The carrier density  $N_0$  at which the stimulated emission is equal to the stimulated absorption is often called "transparent carrier density".

**3.2 Abbreviated terms**

AR	anti-reflection
ASE	amplified spontaneous emission
BPF	band pass filter
CFP	100 G form factor pluggable
CW	continuous wave
DEMUX	demultiplexer
DFB	distributed feedback
EDFA	erbium-doped fibre amplifier
FWM	four-wave mixing
GbE	gigabit Ethernet
GPON	gigabit capable passive optical network
LD	laser diode
MSA	multi-source agreement
MMI	multi-mode interference
MQWs	multiple quantum wells
NF	noise figure
OA	optical amplifier
OFA	optical fibre amplifier
OLT	optical line termination
ONU	optical network unit

PC	polarization controller
PD	photodiode
PDCE	polarization dependence of coupling efficiency
PDG	polarization dependent gain
PIC	photonic integrated circuit
POL	polarizer
PON	passive optical network
RSOA	reflective semiconductor optical amplifier
SMF	single-mode fibre
SOA	semiconductor optical amplifier
TE	transverse electric
TEC	thermoelectric cooler
TIA	transimpedance amplifier
TM	transverse magnetic
VOA	variable optical attenuator
WDM	wavelength division multiplexing
XGM	cross gain modulation
XPM	cross phase modulation

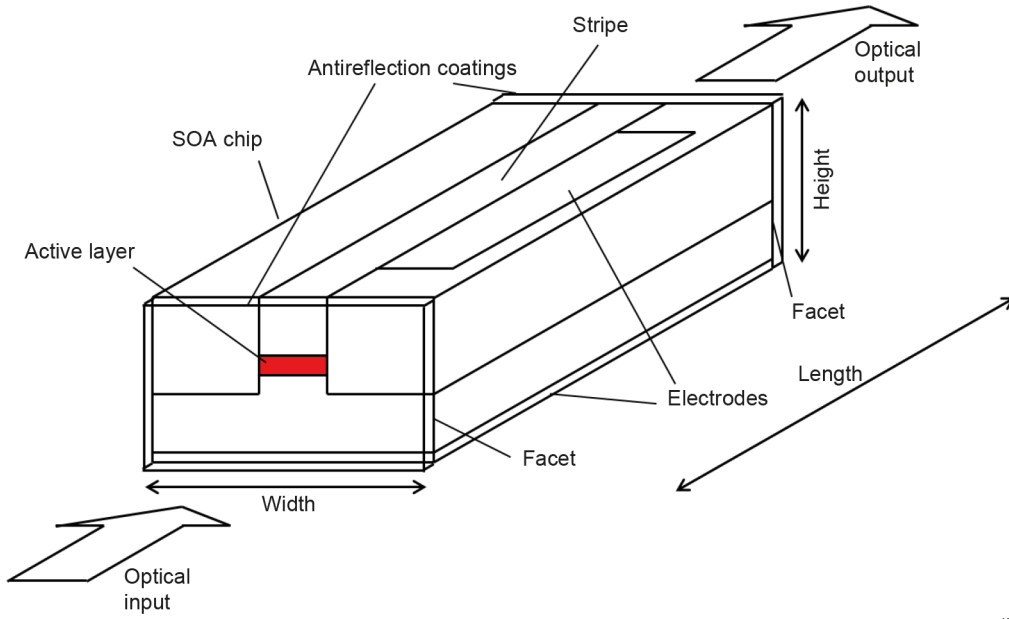
### 3.3 Symbols

$G$	optical gain
$I_F$	forward current
$L$	chip length
$n_{\text{eff}}$	effective refractive index
$n_{\text{sp}}$	population inversion factor
$PDG_{\text{active}}$	polarization dependence of active layer gain
$PDG_{\text{total}}$	total polarization dependence of single pass gain
$R$	reflectivity
$\Delta G_{\text{ripple}}$	peak to peak amplitude of gain ripple
$\Delta \lambda_{\text{ripple}}$	period of gain ripple
$\Gamma_{\text{TE}}$	TE mode confinement factor
$\Gamma_{\text{TM}}$	TM mode confinement factor
$\lambda$	wavelength

## 4 Specific features of SOAs

### 4.1 SOA chips

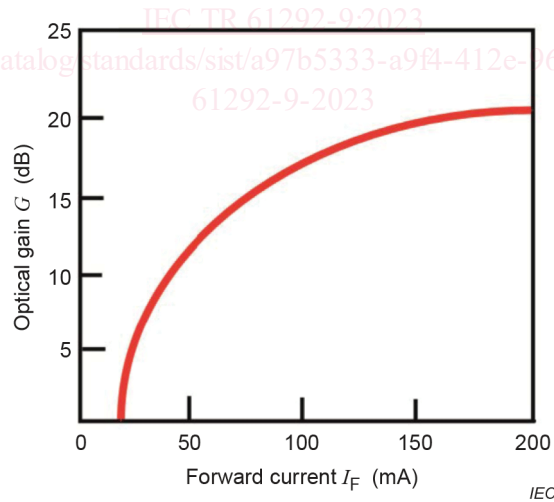
Figure 1 shows the schematic diagram of a typical SOA chip. Similar to LDs, SOA chips are less than 1,5 mm in length, 0,5 mm in width, and 0,2 mm in height. Since SOA chips are made of III-V compound semiconductor materials and developed based on the technologies used for laser diodes (LDs), the basic physical mechanisms of generating optical gain in SOA chips are the same as those in LDs. Therefore, the population inversion inside the SOA chip is implemented by a forward current ( $I_F$ ), and the input optical signals are amplified by the stimulated emission of photons in the active layer of the chip. The cross section of a typical active layer is 1,5  $\mu\text{m}$  in width and 0,1  $\mu\text{m}$  in thickness (height).



IEC

**Figure 1 – Schematic diagram of the typical SOA chip**

Figure 2 shows an example of the dependency of the SOA gain on the forward current  $I_F$ . The current is injected into the chip through electrodes at the top and bottom of the SOA chip, as shown in Figure 1. The gain of the SOA chip can be varied by adjusting the forward current. As shown in Figure 2, by increasing  $I_F$  to values greater than 150 mA, typical SOA chips can provide optical gain greater than 20 dB at an input optical power of around -20 dBm.



IEC

**Figure 2 – Example of gain dependency of an SOA chip on forward current**