



Designation: D4989/D4989M – 90a (Reapproved 2021)

Standard Test Method for Apparent Viscosity (Flow) of Roofing Bitumens Using the Parallel Plate Plastometer¹

This standard is issued under the fixed designation D4989/D4989M; the number immediately following the designation indicates the year of original adoption or, in the case of revision, the year of last revision. A number in parentheses indicates the year of last reapproval. A superscript epsilon (ϵ) indicates an editorial change since the last revision or reapproval.

1. Scope

1.1 This test method covers the measurement of apparent viscosity of roofing bitumen by means of a parallel plate plastometer. This test method is applicable for a viscosity range from 10^2 to 10^9 Pa·s [10^3 to 10^{10} poises]. See **Note 1**.

NOTE 1—This relatively simple test method of measuring viscosity uses predetermined, arbitrary shear stress levels. Since roofing bitumens are non-Newtonian, other viscosity test methods may give different results.

1.2 The values stated in either SI units or inch-pound units are to be regarded separately as standard. The values stated in each system may not be exact equivalents; therefore, each system shall be used independently of the other. Combining values from the two systems may result in nonconformance with the standard.

1.3 *This standard does not purport to address all of the safety concerns, if any, associated with its use. It is the responsibility of the user of this standard to establish appropriate safety, health, and environmental practices and determine the applicability of regulatory limitations prior to use.*

1.4 *This international standard was developed in accordance with internationally recognized principles on standardization established in the Decision on Principles for the Development of International Standards, Guides and Recommendations issued by the World Trade Organization Technical Barriers to Trade (TBT) Committee.*

2. Referenced Documents

2.1 *ASTM Standards:*²

- D140/D140M Practice for Sampling Asphalt Materials
- D312/D312M Specification for Asphalt Used in Roofing
- D450/D450M Specification for Coal-Tar Pitch Used in

¹ This test method is under the jurisdiction of ASTM Committee D08 on Roofing and Waterproofing and is the direct responsibility of Subcommittee D08.03 on Surfacing and Bituminous Materials for Membrane Waterproofing and Built-up Roofing.

Current edition approved Jan. 1, 2021. Published January 2021. Originally approved in 1990. Last previous edition approved in 2014 as D4989/D4989M – 90a (2014)¹. DOI: 10.1520/D4989_D4989M-90AR21.

² For referenced ASTM standards, visit the ASTM website, www.astm.org, or contact ASTM Customer Service at service@astm.org. For *Annual Book of ASTM Standards* volume information, refer to the standard's Document Summary page on the ASTM website.

- Roofing, Dampproofing, and Waterproofing
- D2171/D2171M Test Method for Viscosity of Asphalts by Vacuum Capillary Viscometer
- D3205 Test Method for Viscosity of Asphalt with Cone and Plate Viscometer (Withdrawn 2000)³

3. Terminology

3.1 *Definitions*—See definitions of viscosity given in Test Methods D2171/D2171M and D3205.

4. Summary of Test Method

4.1 The sample is molded into a disc of specified dimensions, heated to the selected temperature, placed between the plates of the pre-heated apparatus, and pressed under standard conditions for a measured time. The apparent viscosity is calculated from the final diameter of the pressed specimen disc.

5. Apparatus

5.1 *Parallel Plate Plastometer*—A modified form of Williams' plastometer as shown in **Figs. 1 and 2**. Mass of Platen A is 5000 ± 50 g [11.02 ± 0.11 lb].

5.2 *Ring Molds*, with an inside diameter of 25.40 ± 0.01 mm [1.0000 ± 0.0025 in.] and a height of 12.70 ± 0.01 mm [0.5000 ± 0.0025 in.] cut from copper or brass tubing.

5.3 *Constant-Temperature Oven*, capable of maintaining test temperature within ± 0.1 °C [± 0.2 °F].

5.4 *Scale*, linearly graduated in millimeters over at least 150 mm [6 in.] and accurate to ± 0.5 mm [± 0.02 in.].

6. Sampling

6.1 Sample the material to be tested in accordance with Practice D140/D140M.

7. Test Specimens

7.1 Prepare two molds by coating with a pasty mixture of talc in glycerine as a mold release agent. Coat all surfaces of

³ The last approved version of this historical standard is referenced on www.astm.org.

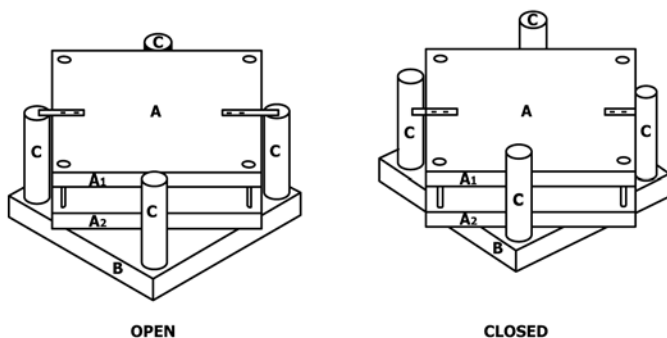


FIG. 1 Plastometer with Platens in Open and Closed Positions

each mold by brushing or applying the paste with a fingertip. Place the rings on a brass or aluminum plate coated with the release agent.

7.2 Bring the sample to pouring temperature by heating in an oven for not more than 30 min. Heat the sample with care to prevent local overheating, stirring until it has become sufficiently fluid to pour readily. Avoid incorporating air bubbles in the sample. Pour the heated sample into the ring molds until a slight overflow is achieved. Allow to cool at room temperature overnight, and then cut the excess material off cleanly with a slightly heated knife or spatula. Trim the excess material off not more than 1 h before testing.

7.3 Just prior to testing, carefully remove each specimen from its mold by holding it under a stream of cool tap water and pressing the specimen from the ring with the fingers. Wash the release agent from all surfaces of the specimen in the cool water and gently blot dry with a paper towel.

7.4 Place the dry specimen between two sheets of thin plastic film (see Note 2), approximately 100 by 100 mm [4 by 4 in.].

NOTE 2—Cellophane and polyethylene films, approximately 0.01 mm [2.5 mil] thick, are satisfactory. Do not use TFE-fluorocarbon or nylon, or have any lubricant present, as these will alter the results by allowing the bitumen to slip at the film interface.

8. Procedure

8.1 Assemble the apparatus as shown in Fig. 1 and place in an oven at the test temperature overnight prior to the test. Place the prepared test specimen sandwich between the open platens A2 and B as shown in Fig. 3, and allow the entire assembly to stand for 10 min in the oven to bring the specimen to the test temperature.

8.2 After reaching the test temperature, lower the upper platen into contact with the specimen and start timing the test. Leave the load on the specimen for the desired time interval (see Table 1 for suggested intervals), depending on the bitumen type and the test temperature used. The final diameter should be at least 60 mm [2.4 in.].

8.3 At the end of the test period, lift the upper platen immediately and remove the specimen sandwich from the apparatus and the oven. Allow the specimen to cool on a flat surface for at least 30 min.

8.4 Measure the final diameter of the specimen disc at five locations chosen at random and record to the nearest 0.5 mm. Record the test temperature to the nearest 0.1 °C [0.2 °F], and the time under load in minutes.

9. Calculation

9.1 Calculate the average final diameter of the specimen disc from the five measurements recorded.

9.2 Calculate the average apparent viscosity as follows:

$$Pa \cdot s = \frac{3.60 \times 10^{18} t}{(d)^8}; \left(\text{viscosity, cps} = \frac{2.08 \times 10^{10} t}{d^8} \right) \quad (1)$$

where:

t = time interval of the test in minutes, and

d = final average diameter of the specimen in inches [millimeters] (see Note 3).

NOTE 3—National Institute of Standards and Technology, NBS Report 10950, Appendix B,⁴ and Dienes and Klemm, *Journal of Applied Physics*.⁵

10. Report

10.1 The report shall include the following:

10.1.1 Complete sample identification,

10.1.2 Test temperature,

10.1.3 Conditioning time, and

10.1.4 Parallel-plate viscosity, in centipoises [Pascal-seconds].

11. Precision and Bias

11.1 Preliminary data show the following criteria shall be used for judging the acceptability of results (95 % probability). Additional round robin data may alter these values. The precision for Type III bitumens has not been established.

11.1.1 *Repeatability*—Duplicate results by the same operator using the same apparatus shall not be considered suspect unless they differ by more than 5 % of their mean.

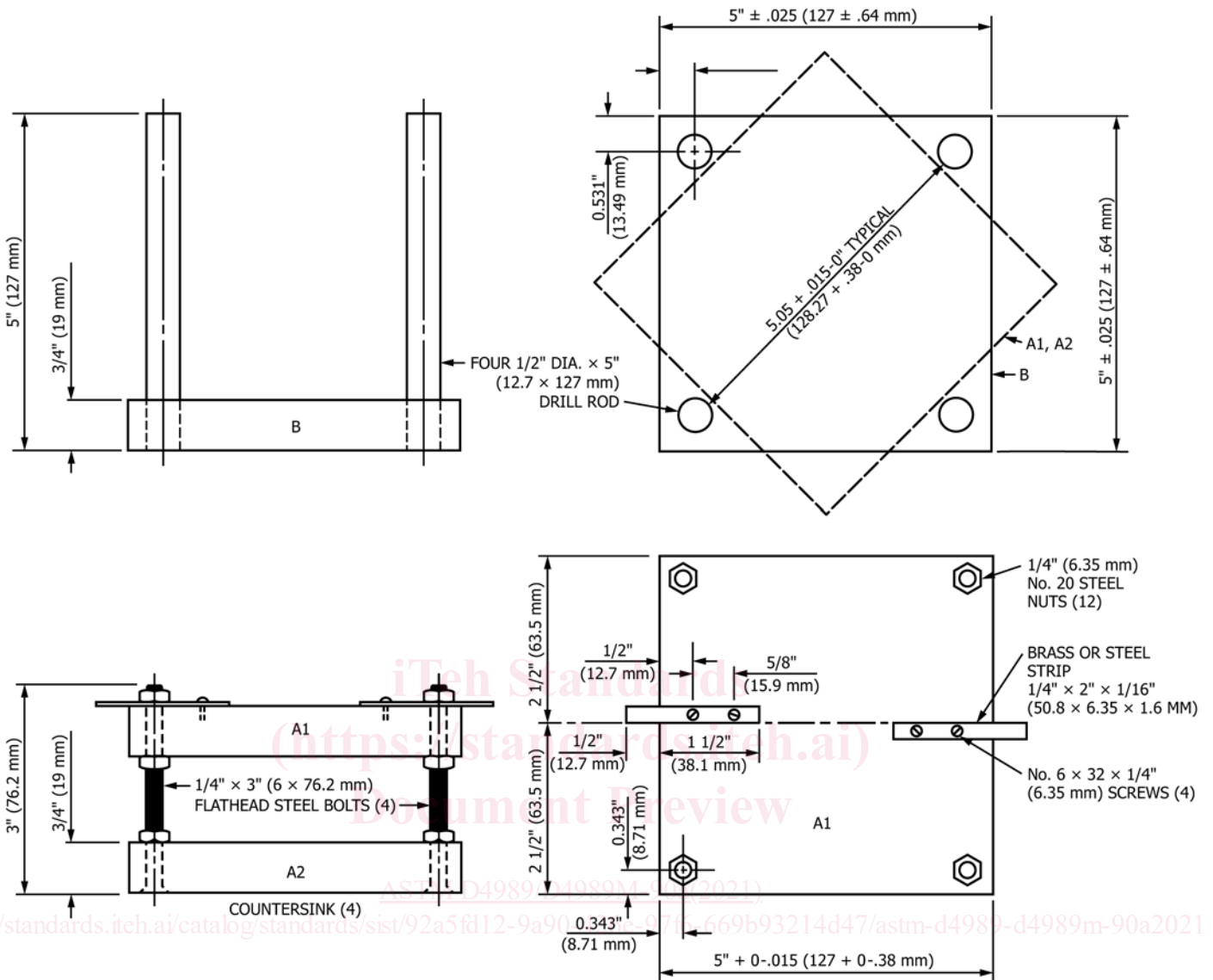
11.1.2 *Reproducibility*—The results submitted by each of two laboratories shall not be considered suspect unless the two results differ by more than 20 % of their mean.

12. Keywords

12.1 apparent viscosity; bitumen; flow; parallel plate; plastometer; viscosity

⁴ Available from National Institute of Standards and Technology (NIST), 100 Bureau Dr., Stop 1070, Gaithersburg, MD 20899-1070, <http://www.nist.gov>.

⁵ Dienes and Klemm, *Journal of Applied Physics*, Vol 17, 1946, p. 458.



NOTE 1—A1, A2, B 19-mm [3/4 in.] cold-rolled steel plate, standard finish.

FIG. 2 Plastometer Details

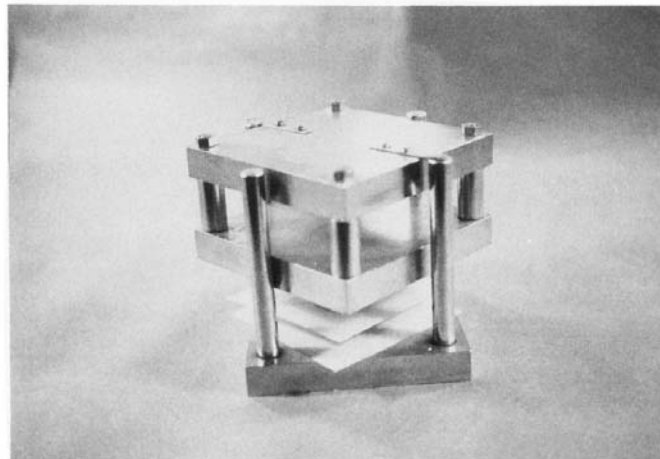


FIG. 3 Specimen Between Sheets of Cellophane, Placed in Plastometer Before Lowering Weight for Start of Test