



# SLOVENSKI STANDARD

## SIST EN 13286-5:2004

01-junij-2004

---

BYj YnUbY]b\ ]XfUj`] bc`j YnUbY`na Yg]`È) "XY. `DfYg\_i gbY`a YrcXY`nU  
`UVcfUrcf]`g\_c`fYZfYb bc`[ cglrc`b]`j gYVbcghj cXY`È`J]VfUW`g\_Ua ]nU

Unbound and hydraulically bound mixtures - Part 5: Test methods for laboratory reference density and water content - Vibrating table

Ungebunden und hydraulisch gebundene Gemische - Teil 5: Laborprüfverfahren für die Trockendichte und den Wassergehalt - Vibrationstisch

Mélanges traités et mélanges non traités aux liants hydrauliques - Partie 5: Méthode d'essai de détermination en laboratoire de la masse volumique apparente sèche de référence et de la teneur en eau - Table vibrante

Ta slovenski standard je istoveten z: EN 13286-5:2003

---

### ICS:

93.080.20      Materiali za gradnjo cest      Road construction materials

SIST EN 13286-5:2004      en

**iTeh STANDARD PREVIEW**  
**(standards.iteh.ai)**

[SIST EN 13286-5:2004](#)

<https://standards.iteh.ai/catalog/standards/sist/fb2c06e5-219e-4c8d-893e-f046da8c9ccf/sist-en-13286-5-2004>

EUROPEAN STANDARD  
NORME EUROPÉENNE  
EUROPÄISCHE NORM

**EN 13286-5**

March 2003

ICS 93.080.20

English version

**Unbound and hydraulically bound mixtures - Part 5: Test  
methods for laboratory reference density and water content -  
Vibrating table**

Mélanges traités et mélanges non traités aux liants  
hydrauliques - Partie 5: Méthodes d'essai pour la masse  
volumique de référence et la teneur en eau en laboratoire -  
Table vibrante

Ungebunden und hydraulisch gebundene Gemische - Teil  
5: Laborprüfverfahren für die Trockendichte und den  
Wassergehalt - Vibrationstisch

This European Standard was approved by CEN on 12 December 2002.

CEN members are bound to comply with the CEN/CENELEC Internal Regulations which stipulate the conditions for giving this European Standard the status of a national standard without any alteration. Up-to-date lists and bibliographical references concerning such national standards may be obtained on application to the Management Centre or to any CEN member.

This European Standard exists in three official versions (English, French, German). A version in any other language made by translation under the responsibility of a CEN member into its own language and notified to the Management Centre has the same status as the official versions.

CEN members are the national standards bodies of Austria, Belgium, Czech Republic, Denmark, Finland, France, Germany, Greece, Hungary, Iceland, Ireland, Italy, Luxembourg, Malta, Netherlands, Norway, Portugal, Slovak Republic, Spain, Sweden, Switzerland and United Kingdom.



EUROPEAN COMMITTEE FOR STANDARDIZATION  
COMITÉ EUROPÉEN DE NORMALISATION  
EUROPÄISCHES KOMITEE FÜR NORMUNG

**Management Centre: rue de Stassart, 36 B-1050 Brussels**

**iTeh STANDARD PREVIEW**  
**(standards.iteh.ai)**

SIST EN 13286-5:2004

<https://standards.iteh.ai/catalog/standards/sist/fb2c06e5-219e-4c8d-893e-f046da8c9ccf/sist-en-13286-5-2004>

**iTeh STANDARD PREVIEW**  
**(standards.iteh.ai)**

SIST EN 13286-5:2004

<https://standards.iteh.ai/catalog/standards/sist/fb2c06e5-219e-4c8d-893e-f046da8c9ccf/sist-en-13286-5-2004>

**iTeh STANDARD PREVIEW**  
**(standards.iteh.ai)**

SIST EN 13286-5:2004

<https://standards.iteh.ai/catalog/standards/sist/fb2c06e5-219e-4c8d-893e-f046da8c9ccf/sist-en-13286-5-2004>

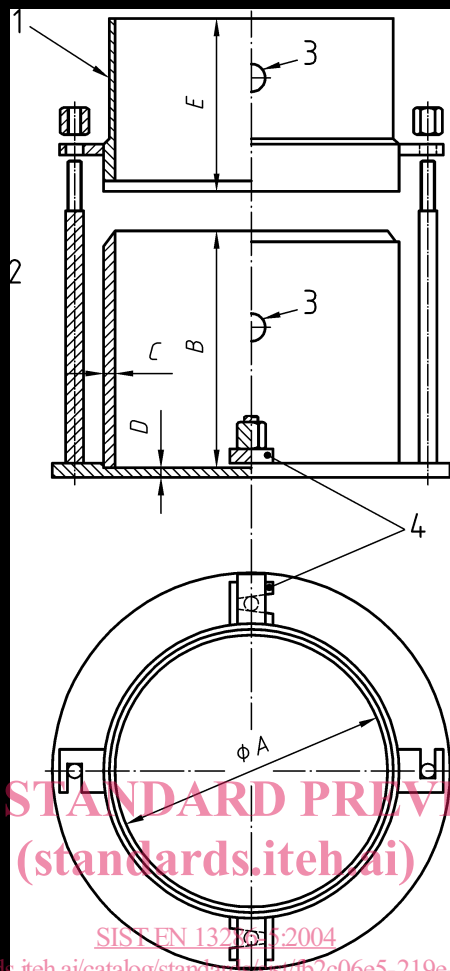
**iTeh STANDARD PREVIEW**  
**(standards.iteh.ai)**

SIST EN 13286-5:2004

<https://standards.iteh.ai/catalog/standards/sist/fb2c06e5-219e-4c8d-893e-f046da8c9ccf/sist-en-13286-5-2004>







iTeh STANDARD PREVIEW  
(standards.iteh.ai)

SIST EN 13286-5:2004

<https://standards.iteh.ai/catalog/standards/sist/b2c06e5-219e-4c8d-893e-f046da8c9cc7/sist-en-13286-5-2004>