
BYj YnUbY`jb\]XfUj`] bc`j YnUbY`na Yg]`È(&`XY.`DfYg_i gbUa YrcXU`nUi [cHj``Ub`Y`
dcgfYXbY`bU`YnbY`fXbcgh\]XfUj`] bc`j YnUb]` `na Yg]

Unbound and hydraulically bound mixtures - Part 42: Test method for the determination of the indirect tensile strength of hydraulically bound mixtures

Ungebundene und hydraulisch gebundene Gemische - Teil 42: Prüfverfahren zur Bestimmung der Zugfestigkeit hydraulisch gebundener Gemische im indirekten Zugversuch

Mélanges traités et mélanges non traités aux liants hydraulique - Partie 42: Méthode d'essai pour la détermination de la résistance à la traction indirecte des mélanges traités aux liants hydrauliques

Ta slovenski standard je istoveten z: EN 13286-42:2003

ICS:

93.080.20 Materiali za gradnjo cest Road construction materials

SIST EN 13286-42:2004 **en**

iTeh STANDARD PREVIEW
(standards.iteh.ai)

SIST EN 13286-42:2004

<https://standards.iteh.ai/catalog/standards/sist/3ba5dd47-4dd5-40c9-8347-8811c24510ec/sist-en-13286-42-2004>

EUROPEAN STANDARD
NORME EUROPÉENNE
EUROPÄISCHE NORM

EN 13286-42

March 2003

ICS 93.080.20

English version

**Unbound and hydraulically bound mixtures - Part 42: Test
method for the determination of the indirect tensile strength of
hydraulically bound mixtures**

Mélanges traités et mélanges non traités aux liants
hydraulique - Partie 42: Méthode d'essai pour la
détermination de la résistance à la traction indirecte des
mélanges traités aux liants hydrauliques

Ungebundene und hydraulisch gebundene Gemische - Teil
42: Prüfverfahren zur Bestimmung der Zugfestigkeit
hydraulisch gebundenen Gemischen im indirekten
Zugversuch

This European Standard was approved by CEN on 29 November 2002.

CEN members are bound to comply with the CEN/CENELEC Internal Regulations which stipulate the conditions for giving this European Standard the status of a national standard without any alteration. Up-to-date lists and bibliographical references concerning such national standards may be obtained on application to the Management Centre or to any CEN member.

This European Standard exists in three official versions (English, French, German). A version in any other language made by translation under the responsibility of a CEN member into its own language and notified to the Management Centre has the same status as the official versions.

CEN members are the national standards bodies of Austria, Belgium, Czech Republic, Denmark, Finland, France, Germany, Greece, Hungary, Iceland, Ireland, Italy, Luxembourg, Malta, Netherlands, Norway, Portugal, Slovak Republic, Spain, Sweden, Switzerland and United Kingdom.



EUROPEAN COMMITTEE FOR STANDARDIZATION
COMITÉ EUROPÉEN DE NORMALISATION
EUROPÄISCHES KOMITEE FÜR NORMUNG

Management Centre: rue de Stassart, 36 B-1050 Brussels

iTeh STANDARD PREVIEW
(standards.iteh.ai)

SIST EN 13286-42:2004

<https://standards.iteh.ai/catalog/standards/sist/3ba5dd47-4dd5-40c9-8347-8811c24510ec/sist-en-13286-42-2004>

iTeh STANDARD PREVIEW
(standards.iteh.ai)

[SIST EN 13286-42:2004](#)

<https://standards.iteh.ai/catalog/standards/sist/3ba5dd47-4dd5-40c9-8347-8811c24510ec/sist-en-13286-42-2004>

iTeh STANDARD PREVIEW
(standards.iteh.ai)

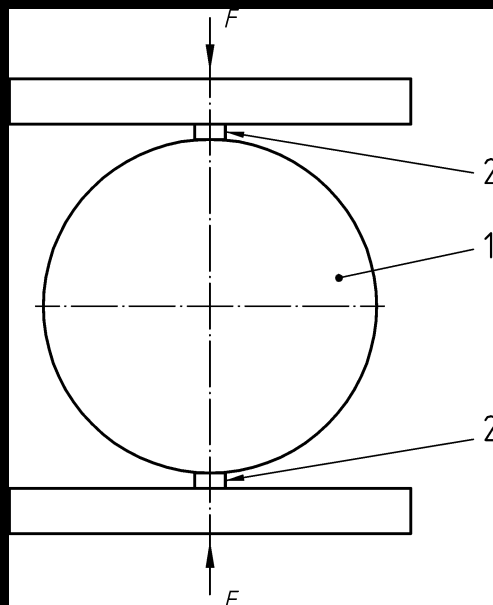
SIST EN 13286-42:2004

<https://standards.iteh.ai/catalog/standards/sist/3ba5dd47-4dd5-40c9-8347-8811c24510ec/sist-en-13286-42-2004>

iTeh STANDARD PREVIEW
(standards.iteh.ai)

[SIST EN 13286-42:2004](#)

<https://standards.iteh.ai/catalog/standards/sist/3ba5dd47-4dd5-40c9-8347-8811c24510ec/sist-en-13286-42-2004>



iTeh STANDARD PREVIEW
(standards.iteh.ai)

SIST EN 13286-42:2004

<https://standards.iteh.ai/catalog/standards/sist/3ba5dd47-4dd5-40c9-8347-8811c24510ec/sist-en-13286-42-2004>

iTeh STANDARD PREVIEW
(standards.iteh.ai)

SIST EN 13286-42:2004

<https://standards.iteh.ai/catalog/standards/sist/3ba5dd47-4dd5-40c9-8347-8811c24510ec/sist-en-13286-42-2004>