



Designation: F585 – 16 (Reapproved 2021)

Standard Guide for Insertion of Flexible Polyethylene Pipe Into Existing Sewers¹

This standard is issued under the fixed designation F585; the number immediately following the designation indicates the year of original adoption or, in the case of revision, the year of last revision. A number in parentheses indicates the year of last reapproval. A superscript epsilon (ϵ) indicates an editorial change since the last revision or reapproval.

This standard has been approved for use by agencies of the U.S. Department of Defense.

1. Scope*

1.1 This guide describes design and selection considerations and installation procedures for the rehabilitation of sanitary and storm sewers by the insertion of solid wall or profile wall or corrugated polyethylene pipe into an existing pipe and along its existing line and grade. The procedures in this guide are intended to minimize traffic disruption, surface damage, surface restoration and interruption of service.

1.2 The polyethylene piping product manufacturer should be consulted to determine the polyethylene piping product's suitability for insertion renewal as described in this guide.

1.3 The values stated in inch-pound units are to be regarded as standard. The values given in parentheses are mathematical conversions to SI units that are provided for information only and are not considered standard.

1.4 *This standard does not purport to address all of the safety concerns, if any, associated with its use. It is the responsibility of the user of this standard to establish appropriate safety, health, and environmental practices and determine the applicability of regulatory limitations prior to use.* See 6.1, 7.1, and 8.1 for additional safety precautions.

1.5 *This international standard was developed in accordance with internationally recognized principles on standardization established in the Decision on Principles for the Development of International Standards, Guides and Recommendations issued by the World Trade Organization Technical Barriers to Trade (TBT) Committee.*

2. Referenced Documents

2.1 *ASTM Standards:*²

[F412 Terminology Relating to Plastic Piping Systems](#)

[F1417 Practice for Installation Acceptance of Plastic Non-pressure Sewer Lines Using Low-Pressure Air](#)

[F1804 Practice for Determining Allowable Tensile Load for Polyethylene \(PE\) Gas Pipe During Pull-In Installation](#)

[F2620 Practice for Heat Fusion Joining of Polyethylene Pipe and Fittings](#)

2.2 *Other Documents:*³

[PPI Material Handling Guide](#)

3. Terminology

3.1 *Definitions*—Definitions are in accordance with Terminology [F412](#), unless otherwise specified.

4. Significance and Use

4.1 The procedures described in this guide are intended as a design and review aid for use by the design engineer in conjunction with manufacturer's recommendations for installing a polyethylene pipe using the insertion method.

5. Design and Selection Considerations

5.1 *General Guidelines:*

5.1.1 *Host Pipe Condition Assessment*—Prior to the selection of polyethylene pipe size and installation procedure, measures should be taken to determine in detail the condition of the host (original) sewer piping. A detailed examination should determine if the host sewer piping is structurally sufficient, and that any joint offsets or other host pipe defects will permit polyethylene pipe insertion.

5.1.2 The presence of obstructions should be determined (see 6.3). Protrusions of lateral or service piping into the host sewer pipe, root growths, sedimentation, mineral deposits, or any combination of such obstructions, may require remedial work prior to inserting the polyethylene pipe.

5.1.3 To ensure against interference during insertion, the minimum annular clearance between the polyethylene pipe OD and the host pipe ID should be 10 % of the host pipe ID or 2 in. (50 mm) whichever is less. Greater annular clearance is acceptable. Outside diameter information should be obtained from the polyethylene pipe manufacturer.

5.1.4 The number of insertion excavations should be kept to a minimum and should coincide with areas where problems have been detected in the existing sewer (see Section 7).

¹ This guide is under the jurisdiction of ASTM Committee [F17](#) on Plastic Piping Systems and is the direct responsibility of Subcommittee [F17.62](#) on Sewer.

Current edition approved April 1, 2021. Published April 2021. Originally approved in 1978. Last previous edition approved in 2016 as F585 – 16. DOI: 10.1520/F0585-16R21.

² For referenced ASTM standards, visit the ASTM website, www.astm.org, or contact ASTM Customer Service at service@astm.org. For *Annual Book of ASTM Standards* volume information, refer to the standard's Document Summary page on the ASTM website.

³ Available from Plastics Pipe Institute (PPI), 105 Decker Court, Suite 825, Irving, TX 75062, <http://www.plasticpipe.org>.

*A Summary of Changes section appears at the end of this standard

5.1.5 Solid wall or profile wall or corrugated polyethylene pipe may be assembled at the time of insertion using heat fusion in accordance with Practice F2620, integral bell and spigot joints, or mechanical connections as appropriate for the polyethylene piping product.

5.1.6 In all cases, the hydraulic capacity of the pipeline should be assessed by an engineer to insure the reduction in flow area from an inserted pipe or deterioration or deformation, or both, of the host pipe does not adversely impact the hydraulic capacity or flow characteristics of the storm or sanitary sewer.

NOTE 1—It should be noted, in many instances, the pipe being retrofitted is not designed to flow at 100 percent capacity, which may provide additional options for downsizing of the inserted pipe.

5.2 Ancillary materials—Mechanical fasteners, sealants, grouts and other materials that are or are likely to be exposed to sanitary sewage, sewage gases or other corrosive elements of the sanitary sewer environment should be resistant to deleterious effects of the sanitary sewer environment. Sealants, grouts and other materials must be selected with the ability to adequately cure in underwater, sewage or other corrosive environments.

5.3 External Loading—Areas where the host pipe is or may be structurally compromised, or where some or the entire host pipe had been removed will subject the polyethylene pipe to external loads. Information about the resistance of polyethylene pipe (pipe stiffness (PS) or ring stiffness constant (RSC), and buckling resistance) to external hydrostatic and earth loads should be obtained from the pipe manufacturer, and is available in some ASTM polyethylene pipe specifications. Design information about the external load collapse resistance of polyethylene pipe is available in Handbooks and Technical Notes published by the Plastics Pipe Institute.

5.3.1 Hydraulic Loads—When the ground water level may be above the polyethylene pipe, the ground water level and its duration should be estimated by the design engineer, and the polyethylene pipe should be designed to withstand the estimated external hydrostatic pressure without collapsing.

5.3.2 Filling the Annulus—Filling the annulus between the host pipe and the polyethylene pipe with a cementitious grout or other structurally stable material increases the resistance of the polyethylene pipe to external hydrostatic or structural load, and may improve the overall external load capacity of the host pipe. Flexible pipe such as polyethylene pipe relies in part on materials that surround the pipe for external structural load resistance. Flexible pipe ring stiffness and the stiffness of materials surrounding the flexible pipe act together to support external loads. Structurally stable fill materials are materials that remain in place and resist movement from the rise and fall of groundwater around the pipeline. Fill materials may be able to penetrate into cracks and voids in the host pipe, and in combination with the inserted polyethylene pipe provide partial structural rehabilitation. Host pipe condition assessment per 5.1.1 should identify if filling the annulus is needed for structural reasons. Hydraulic load analysis per 5.3.1 should identify if filling the annulus is needed for hydraulic load resistance.

5.3.3 Point Excavation Encasement—At all points where the polyethylene pipe has been exposed, such as at excavations for polyethylene pipe insertion, or for service connections, or excavations at other points where structurally unsound host pipe is removed, the polyethylene pipe, fittings, and service connections should be encased in embedment that provides structural support for the polyethylene pipe. Polyethylene pipe embedment design information is available from organizations such as the Plastics Pipe Institute. If the annulus is not filled (5.3.2), stabilized embedment material should be used to seal the ends of the excavation against embedment migration into the annulus. Stabilized embedment material is at least 6 in. (150 mm) of concrete, or cement-stabilized sand, or other stable high-density material as specified by the design engineer. Preparations for placing of the encasement material include the removal of debris and soil along each side of the host pipe down to the spring line. After the encasement material has been placed and accepted by the design engineer, backfill is placed and compacted to the required finished grade in accordance with the design engineer’s specifications. At service connections, care should be taken to ensure compaction of earth beneath the lateral service pipe in order to reduce subsidence that can cause bending at the lateral connection.

5.3.4 Host Pipe Deterioration—Structural deterioration of the host pipe may continue after the polyethylene pipe has been installed. Uneven or concentrated point loading on the polyethylene pipe or subsidence of the soil above the host pipe may occur if the host pipe collapses or if large parts of the host pipe fall into the annulus between the host pipe and the polyethylene pipe. This can be avoided by filling the annular space between the inside diameter of the host pipe and the outside diameter of the polyethylene pipe. See 5.3.2.

5.4 Axial Bending:

5.4.1 Solid wall polyethylene pipe is relatively flexible such that the barrel of the pipe may be curved during installation. It will accommodate reasonable irregularities in line and grade. Excessive pipe barrel bending during handling and installation that may cause the pipe to kink should be avoided. Axial (longitudinal) bends induced during the insertion step, in transporting pipe lengths from assembly sites to job sites, or permanent bends to accommodate line or grade changes, should not be less than the minimum bending radius in Table 1. The bending radius is the inside radius of curvature.

TABLE 1 Minimum Bending Radii for Solid Wall Pipe

Dimension Ratio, DR	Minimum Bending Radius
<9	20 × Pipe OD
>9 to 13.5	25 × Pipe OD
>13.5 to 21	27 × Pipe OD
>21 to 26	34 × Pipe OD
>26 to 32.5	42 × Pipe OD
>32.5	52 × Pipe OD
Fitting, Flange or MJ Adapter in Bend ^A	100 × Pipe OD

^ABecause fittings, flange and MJ Adapter connections are rigid compared to the pipe, the minimum bend radius is 100 times the pipe OD when a fitting flange or MJ adapter is present in the bend. The bend radius should be limited to 100 × OD for a distance of about 5 times the pipe OD on either side of the fitting, flange or MJ adapter location.

5.4.2 Axial bending of bell and spigot joined or coupled profile wall or corrugated polyethylene pipe is generally limited by the allowable angular displacement of bell and spigot or spigot and coupling joints. The manufacturer should be contacted for information.

5.5 Installation Force and Length:

5.5.1 Butt fusion joined solid wall polyethylene pipes are typically installed by pulling the polyethylene pipe into the host pipe. The length of polyethylene pipe to be inserted by pulling in will seldom be limited by the strength of the pipe itself. Pulling load limitations will usually be in the load capacity of the winch and cable and the length of the pulling cable. Smaller diameter pipe 24 in. (610 mm) or less can usually be handled with winches having about 12-tons-force (110-KN) pulling capacity. Higher capacity pulling equipment, or a combination of pulling and pushing may be applicable to larger pipe, longer lengths, where the host pipe is in poor condition, or where there are bends or offsets that restrict the passage of the polyethylene pipe being inserted.

NOTE 2—For pull in installation, Practice F1804 may be useful for estimating the allowable tensile load for solid wall pipe.

5.5.2 Profile wall or corrugated pipe with bell and spigot joints is inserted by pushing. Typically, the pushing distance is limited by the joint’s resistance to telescoping. Pipe pushing load information should be obtained from the manufacturer.

6. Inspection and Cleaning

6.1 Confined Space Safety—Entry manholes or the existing pipe are usually considered entry into a confined space. Observe appropriate confined space entry requirements in accordance with local, state and federal requirements.

6.2 Preliminary Investigation—Visual inspection to determine the condition of the host piping may be practical for large diameter pipes over short distances; however, closed-circuit TV inspection equipment is generally preferred to provide details of problem areas, such as of offset joints, crushed walls, obstructions, and to locate service and other lateral connections and protrusions.

6.3 Remove obstructions, debris, and protruding service lines that interfere with inserting the polyethylene pipe.

6.4 Before the insertion operation, it may be desirable to pass a test-head of the same diameter as the polyethylene pipe through the host pipe to ensure free passage. Test-heads may be made from a short section of the polyethylene pipe with pulling cables attached to both ends so that the test head may be pulled back out if blocked by an obstruction. After passing the test head through the host pipe, the test head should be inspected for damage.

7. Excavation

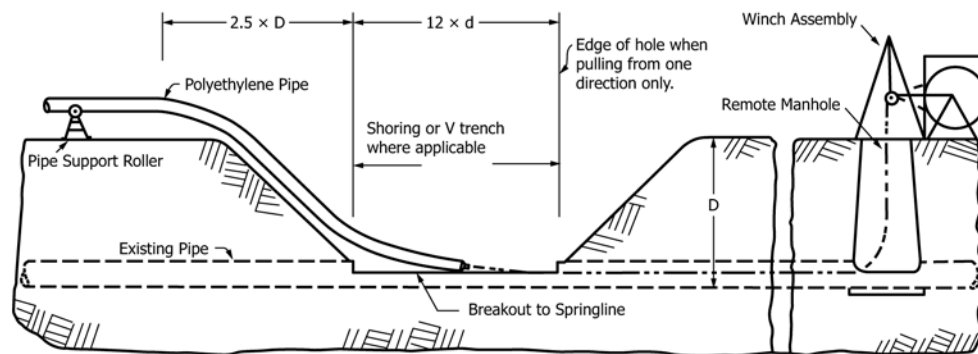
7.1 Excavation Safety—Observe all local, state, or federal regulations for excavation safety together with other applicable laws and ordinances covering public and private access, and the protection and safety of the public and property.

7.2 Insertion Excavations—For butt fused polyethylene pipes, the insertion excavation down to the springline of the host pipe should have an entry slope grade of at least 2½ to 1. The length of the level excavation should be at least 12 times the diameter of the polyethylene pipe being inserted. The excavation should be as narrow as possible, consistent with the diameter of the pipe, in situ soil, height of water table, and length of the host sewer (see Fig. 1). For single joints being pushed or jacked into position, the length and width of the excavation should at least accommodate the pipe joint laying length (typically 20 ft) and jacking equipment if necessary, (see Fig. 2).

7.3 Lateral Connection Excavations—These excavations should be located where the lateral pipe connection to the host sewer can be exposed. These points are located during preliminary investigation in accordance with 6.2. Tapping methods that are remote from the actual point of connection may be used when approved by the design engineer. Provision for sealing and anchoring the connection should be included in remote tapping methods.

8. Storage, Handling, and Joining of Polyethylene Pipe

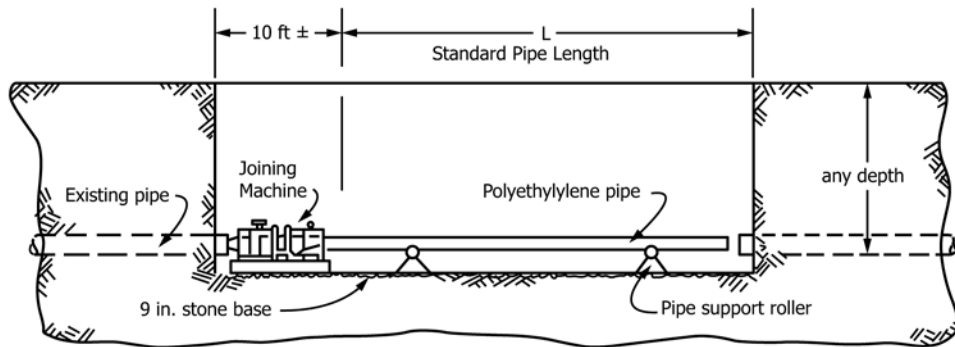
8.1 Unloading and Storage:



D = Depth to invert
d = Diameter of insert pipe

NOTE—Width of excavation will depend on shoring method or depth of existing pipe, or both. To permit proper flow, breakout existing pipe to springline only.

FIG. 1 Insertion Hole and Pull-in Detail



NOTE 1—To maintain existing flow, pump and by pass will be necessary.
 NOTE 2—Use appropriate shoring where required.

FIG. 2 Push Method Hole Detail

8.1.1 Observe manufacturer’s unloading, handling and storage recommendations. General information on polyethylene pipe unloading, handling and storage is available in the PPI Material Handling Guide.

8.1.2 Depending on size, polyethylene pipe lengths are packaged for commercial transport in bundles, layered lengths (strip loads), or individual lengths. Polyethylene pipe should be unloaded from the truck as packaged, and handled with properly rated lifting equipment such as forklifts or lifting boom equipment. Wide fabric slings and spreader bars should be used with lifting boom equipment. Chain or wire ropes are not recommended because pipe can slip and cause injury or damage.

8.1.3 The pipe storage area should be level ground, free of stones, debris, or litter of any type which could create points of loading on pipe in contact with it. Pipe should be stored as packaged (in bundles) for transport, and not removed from packaging until needed for installation. If pipe packages (bundles) are stacked, the stacks should not be more than 4-6 ft in height, and pipe packages (bundles) should be removed from the stack and placed on the ground before removing pipes from the package.

8.1.4 Individual pipes may be placed in a pyramidal pile of no more courses than recommended in the manufacturer’s literature and chocked to prevent roll-out of the bottom layer. The bottom courses should have the ends of the pipe covered to prevent dirt or debris or small animals from entering the pipes.

8.1.5 Care should be taken to minimize handling damage. Black polyethylene pipe need not be protected from sunlight or weather for indefinite storage periods. Non-black polyethylene pipe such as grey or green is generally suitable for unprotected outdoor storage for at least 6 months. Manufacturer’s recommendations for extended storage should be observed.

8.2 *Inspection:* Pipe should be inspected for damage upon receipt at the jobsite, and immediately prior to joining. Receiving damage should be noted on receiving documents and reported to the supplier for disposition. Damage such as serious abrasion, cutting, or gouging of the outside or inside surface extending to more than 10 % of the wall thickness in depth, or kinking due to excessive or abrupt bending should be cut out and discarded.

8.3 *Joining:*

8.3.1 Butt fusion in accordance with Practice F2620 is the primary method for joining solid wall pipe into appropriate lengths. Butt-fusion requires training and experience to develop appropriate joining skills and should only be undertaken by persons that have been trained in the process.

8.3.2 Profile wall pipe is joined using gasketed spigot and bell joints, gasketed couplings, extrusion welding, heat fusion in accordance with Practice F2620, or electrofusion. Extrusion welding is used to supplement gasketed spigot and bell joints and gasketed couplings when axial restraint is necessary.

8.3.3 Before using joining equipment in the trench or manhole, evaluate the atmosphere in accordance with local, state, or federal regulations to determine the presence of flammable or toxic vapors.

8.3.4 Mechanical connections such as flanges, mechanical joint adapters, OD clamps may be used for connections to other pipes, or appurtenances are required. See Fig. 3. Mechanical connections should be evaluated by the engineer for annular clearance and axial load resistance. All mechanical joints should be supported to distribute shear and bending loads that may cause flexing away from the area of the joint. The potential for pull-out arising from thermal contraction should be considered in the design of an insertion-joined pipeline using mechanical connections.

9. Insertion and Termination

9.1 *Insertion*—Pipe may be pulled (see Fig. 1) or pushed (see Fig. 4) into the existing piping. Pull and push techniques can sometimes be combined for the placement of unusually heavy-walled or exceptionally long lengths of polyethylene pipe, or where equipment load capacity limits the use of the pull technique, pushing or a push-pull combination technique may be used to extend the insertion distance.

9.1.1 Whether pulling or pushing installation is used, a tapered nose-cone or pulling head to guide the pipe end past minor obstructions and prevent entry of debris is necessary. See Fig. 5 and Fig. 6. A nose cone or pulling head is usually open to allow flow into the insertion pipe.

9.1.2 Whether pulling or pushing installation is used, a tapered nose-cone or pulling head to guide the pipe end past minor obstructions and prevent entry of debris is necessary.

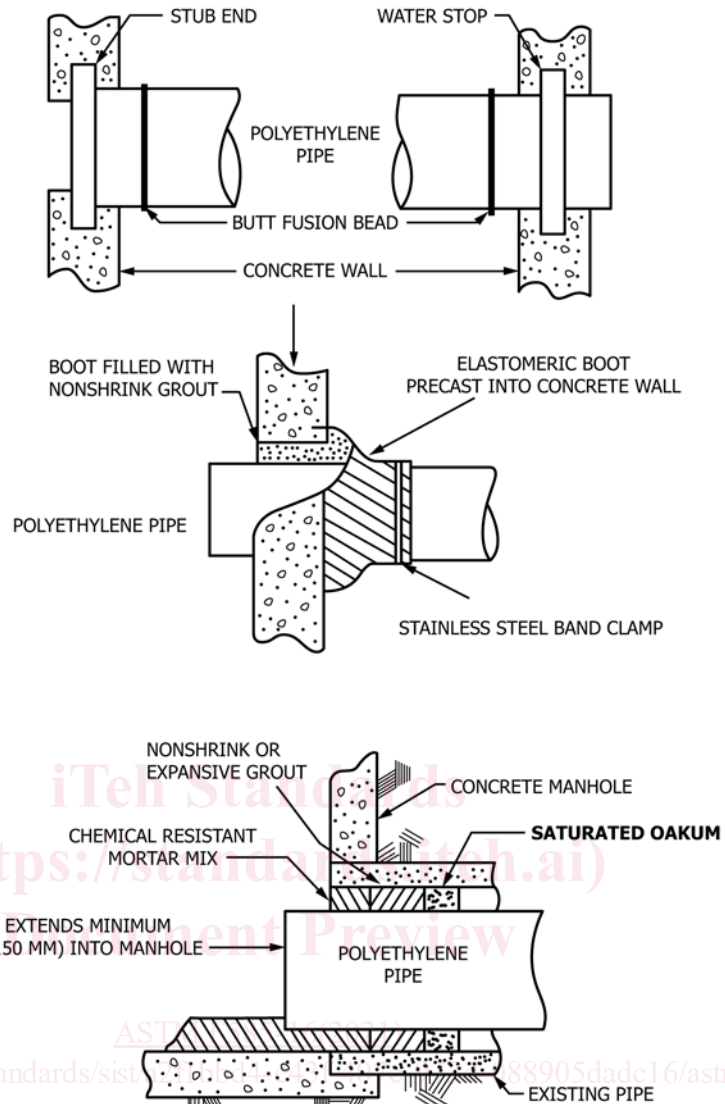


FIG. 3 Typical Manhole Seal

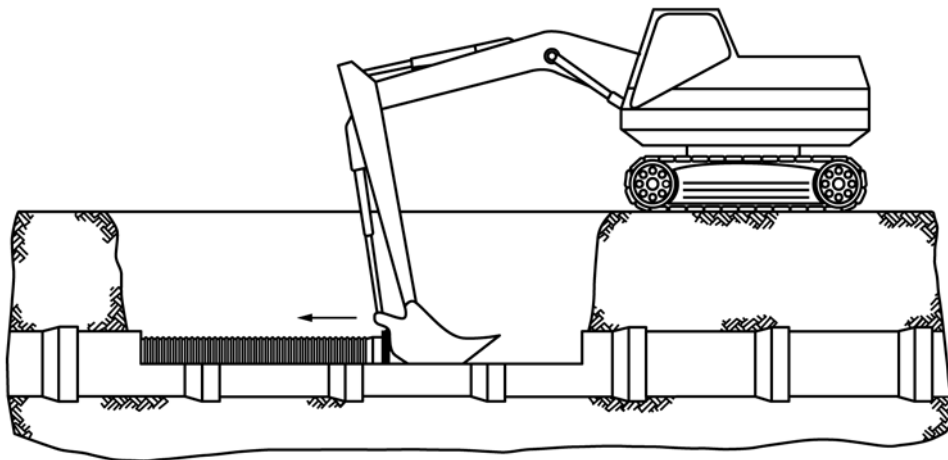


FIG. 4 Push Method for Bell and Spigot

See Fig. 5 and Fig. 6. A nose cone or pulling head is usually open to allow flow into the insertion pipe.

9.1.3 It may also be necessary to install temporary guards over the edges of the existing pipe at the inlet end to protect the