



Designation: **B660—15 B660 – 21**

## Standard Practices for Packaging/Packing of Aluminum and Magnesium Products<sup>1</sup>

This standard is issued under the fixed designation B660; the number immediately following the designation indicates the year of original adoption or, in the case of revision, the year of last revision. A number in parentheses indicates the year of last reapproval. A superscript epsilon ( $\epsilon$ ) indicates an editorial change since the last revision or reapproval.

*This standard has been approved for use by agencies of the U.S. Department of Defense.*

### 1. Scope\*

1.1 These practices describe methods of packaging/packing aluminum and magnesium products, in preparation for storage or shipment, both foreign and domestic. Assuming proper and normal handling in transit, these practices are designed to deliver the products to their destination in good condition. For ~~DoD~~DOD redistribution, see Supplementary Requirements.

1.2 The values stated in inch-pound units are to be regarded as standard. The values given in parentheses are mathematical conversions to SI units that are provided for information only and are not considered standard.

1.3 Aluminum and magnesium products must be preserved and packed so as to be adequately protected from possible damage during shipment and storage. Major damage types are:

1.3.1 Mechanical, including bending, crushing, denting, scratching, or gouging during handling and storage; and abrasions resulting from vibration during transport of the material.

1.3.2 Corrosion, or water stain, resulting from exposure of packed material to water, either externally applied, or as condensate caused by temperature variations in a humid atmosphere.

1.4 *This standard does not purport to address all of the safety concerns, if any, associated with its use. It is the responsibility of the user of this standard to establish appropriate safety, safety, health, and healthenvironmental practices and determine the applicability of regulatory limitations prior to use.*

1.5 *This international standard was developed in accordance with internationally recognized principles on standardization established in the Decision on Principles for the Development of International Standards, Guides and Recommendations issued by the World Trade Organization Technical Barriers to Trade (TBT) Committee.*

### 2. Referenced Documents

#### 2.1 ASTM Standards:<sup>2</sup>

[D779 Test Method for Determining the Water Vapor Resistance of Sheet Materials in Contact with Liquid Water by the Dry Indicator Method](#)

[D1732 Practices for Preparation of Magnesium Alloy Surfaces for Painting](#)

[D1974 Practice for Methods of Closing, Sealing, and Reinforcing Fiberboard Boxes](#)

<sup>1</sup> These practices are under the jurisdiction of ASTM Committee B07 on Light Metals and Alloys and are the direct responsibilities of Subcommittee B07.03 on Aluminum Alloy Wrought Products.

Current edition approved May 1, 2015; Sept. 1, 2021. Published June 2015; October 2021. Originally approved in 1979. Last previous edition approved in 2008; 2015 as B660—08; B660 – 15. DOI: 10.1520/B0660-15.10.1520/B0660-21.

<sup>2</sup> For referenced ASTM standards, visit the ASTM website, www.astm.org, or contact ASTM Customer Service at service@astm.org. For *Annual Book of ASTM Standards* volume information, refer to the standard's Document Summary page on the ASTM website.

\*A Summary of Changes section appears at the end of this standard

D3950 Specification for Strapping, Nonmetallic (and Joining Methods)  
 D3951 Practice for Commercial Packaging  
 D3953 Specification for Strapping, Flat Steel and Seals  
 D4727/D4727M Specification for Corrugated and Solid Fiberboard Sheet Stock (Container Grade) and Cut Shapes  
 D5168 Practice for Fabrication and Closure of Triple-Wall Corrugated Fiberboard Containers  
 D5486/D5486M Specification for Pressure-Sensitive Tape for Packaging, Box Closure, and Sealing  
 F1667 Specification for Driven Fasteners: Nails, Spikes, and Staples

2.2 *ANSI Standard:*<sup>3</sup>

ANSI/AHA A135.4 Basic Hardboard

2.3 *Federal Specifications:*<sup>4</sup>

A-A-1249 Paper, Wrapping, Tissue  
 A-A-1671 Tape, Gummed (Paper, Reinforced, Asphalt Laminated)  
 A-A-55057 Panels, Wood/Wood-Based; Construction and Decorative  
 PPP-B-566 Box, Folding, Paperboard  
 PPP-C-96 Can, Metal, 28 Gage and Lighter  
 PPP-D-705 Drum, Shipping and Storage: Steel 16 and 30 Gallon Capacity  
 PPP-D-723 Drum, Fiber (inactive for new design)  
 PPP-D-729 Drum, Shipping and Storage: Steel, 55 Gallon  
 PPP-P-704 Pails, Metal: (Shipping, Steel, 1 through 12, Gallons)  
 PPP-T-495 Tubes, Mailing, and Filing

2.4 *Federal Standards:*<sup>4</sup>

APA-PS1 U.S. Product Standard (For Construction and Industrial Plywood)  
 MIL-STD-3010 Test Procedures for Packaging Materials

2.5 *Military Specifications:*<sup>4</sup>

MIL-C-11796 Corrosion Preventive Compound, Petrolatum, Hot Application  
 MIL-DTL-17667 Paper, Wrapping, Chemically Neutral (Non-Corrosive)  
 MIL-PRF-121 Barrier Materials, Greaseproof, Waterproof, Flexible, Heat-Sealable  
 MIL-PRF-16173 Corrosion Preventive Compound, Solvent Cutback, Cold Application  
 MIL-PRF-32033 Lubricating Oil, General Purpose, Preservative (Water Displacing, Low Temperature)  
 MIL-PRF-7870 Lubricating Oil: General Purpose, Low Temperature

2.6 *Military Standard:*<sup>4</sup>

MIL-STD-129 Marking for Shipment and Storage

2.7 *Other Aluminum Association Standards:*<sup>5</sup>

Aluminum Standards and Data-Protective Oil for Aluminum

<https://standards.iteh.ai/catalog/standards/sist/0020002f-7937-4a75-aa06-7a886103f2d3/astm-b660-21>

### 3. Classification

3.1 *Levels of Protection*—The following levels of protection apply equally to preservation and packing:

3.1.1 *Level A*—The degree required for protection against the most severe conditions known or anticipated to be encountered during shipment, multiple rough handling, and intransit storage.

3.1.2 *Commercial Packaging*—The degree required for protection of material during shipment from supplier to user for immediate use or limited storage in a dry, heated storage facility. The methods and materials employed by the supplier to satisfy the requirements of the commercial distribution system to provide protection against corrosion, deterioration, and damage during shipment to a user may be used.

### 3. Terminology

3.1 *Definitions:*

3.1.1 *corner protector, n*—protective material placed under ties to protect edges of a package.

3.1.2 *deckboard, n*—piece of lumber at right angles to stringers or skids of a pallet to form a bearing surface.

<sup>3</sup> Available from American National Standards Institute (ANSI), 25 W. 43rd St., 4th Floor, New York, NY 10036, <http://www.ansi.org>.

<sup>4</sup> Available from Standardization Documents Order Desk, DODSSP, Bldg. 4, Section D, DLA Document Services, Building 4/D, 700 Robbins Ave., Philadelphia, PA 19111-5098, <http://www.dodssp.daps.mil>; 19111-5094, <http://quicksearch.dla.mil>.

<sup>5</sup> Available from Aluminum Association, Inc., 1525 Wilson Blvd., Suite 600, 1400 Crystal Dr., Arlington, VA 22209-2202, <http://www.aluminum.org>.

- 3.1.3 *filler, n*—piece of material placed in a package to fill void space for the purpose of squaring out the contents.
- 3.1.4 *framing member, n*—parts forming the main structure of a crate.
- 3.1.5 *gross weight, n*—bare item weight and the weight of all packaging and packing materials.
- 3.1.6 *header, n*—member of skid-type base used to join the ends of two or more skids and provide added strength to the base.
- 3.1.7 *interleaving, n*—placement of a sheet of protective material between two adjacent pieces of metal.
- 3.1.8 *net weight, n*—bare item weight.
- 3.1.9 *nominal, adj*—referring to lumber size, rough sawn commercial size of soft wood lumber common to the industry.
- 3.1.10 *splice, v*—to unite or join the ends of material such as lumber, plywood, or paper overlaid veneer.
- 3.1.11 *tension tied, v*—securement applied with mechanical tools.

#### **4. Classification**

4.1 Levels of Protection—The following levels of protection apply equally to preservation and packing:

4.1.1 Level A—The degree required for protection against the most severe conditions known or anticipated to be encountered during shipment, multiple rough handling, and in transit storage.

4.1.2 Commercial Packaging—The degree required for protection of material during shipment from supplier to user for immediate use or limited storage in a dry, heated storage facility. The methods and materials employed by the supplier to satisfy the requirements of the commercial distribution system to provide protection against corrosion, deterioration, and damage during shipment to a user may be used.

#### **5. General Requirements**

5.1 *Materials, Methods, and Containers*—Materials, methods, and containers shall conform to the requirements of this standard. Those exceeding the requirements may be substituted as negotiated by purchaser and producer or supplier.

5.1.1 Materials not covered by applicable specifications or not specifically described herein shall be of high quality and shall be compatible with and protect the contents.

5.1.2 *Splicing Requirement*—When container members must be spliced to obtain the required length or width, the adjacent edges of the two pieces being spliced shall be butt-jointed as specified in 5.1.2.1 and each piece fastened to the splice board. The fastening shall conform to the requirements specified for construction of the panels being spliced. Nails must be clinched.

5.1.2.1 Splice boards shall be applied to extend on each side of the joint at least two times the width of and the same thickness as the box boards.

5.1.3 The inside dimensions of boxes shall be commensurate with the size of the item.

#### **5.2 Internal Packaging Materials:**

5.2.1 *Material Compatibility*—Internal packaging materials shall not adversely affect the contents.

5.2.2 *Blocking and Bracing*—Articles not completely filling the shipping container shall be blocked, braced, fastened, or otherwise secured. Articles having projecting parts that may be broken or may puncture the container shall be rigidly supported, suspended,

or otherwise protected. Clearance of at least 1 in. (25.4 mm) shall be provided between projecting parts and the adjacent inside face of the container. Blocking and bracing shall be prevented from coming in direct contact with any unprotected surface of the item by use of suitable cushioning material.

### 5.3 Handling:

5.3.1 *General*—Containers and pallets in their shipping configuration shall be provided with lifting and hoisting provisions commensurate with their weight, size, and intended mode of transportation to ensure safe and efficient movement.

5.3.2 *Hoisting*—Convenient means shall be provided on all shipping containers (except Figs. S1.1-S1.4) and pallets weighing more than 200 lb (90.72 kg) gross which will permit hoisting by attaching suitable slings at the bottom of the containers and pallets.

5.3.3 *Forklift Truck Compatibility*—Unless otherwise specified herein and except Figs. S1.1-S1.4, boxes, containers, and pallets grossing over 200 lb (90.72 kg) must be capable of being handled from at least two sides by forklift trucks. For ~~DDDD~~ use, standard 40 by 48 in. (1016 by 1219.2 mm) pallets must have four-way forklift entry. Openings shall be a minimum of 3 in. (76.2 mm) high and at least 20 in. (508 mm) apart inside-to-inside, symmetrically about the center of balance. Containers may have a single opening 40 in. (1016 mm) wide or more to provide forklift access.

## 6. Detailed Requirements

6.1 *Packaging Preservation*—Packaging shall be Level A, or commercial preservation as follows:

6.1.1 *Level A*—Detailed requirements for packaging (preservation) of aluminum and magnesium products are listed alphabetically by product in Table 1. When Level A is specified, items shall be preserved in accordance with the detailed requirements outlined herein.

**TABLE 1 Packaging (Preservation) and Packing for Level A (Note—For Commercial Packaging, See Section 8)**

Product	Preservation (6.1.1)	Packing (Section 7) for Barrier, see Table 4	Maximum <sup>A</sup> Net Weight Per Container, lb (kg) (7.16)
Bar, rod and wire (cold-finished, drawn, extruded, rolled, and forged):			
Coiled, bare	AL-oiled, Mg-Chrome pickled (6.1.1.1-6.1.1.3)	Wrapped coils (Fig. 19). Wrap with one layer of Type IIB barrier.	120 (54.43)
Coiled, covered	none required	Wrapped coils (Fig. 19). Wrap with one layer of Type IIB barrier.	120 (54.43)
Spooled for military requirements: 5, 10, 15, 20, 30, lb (2.27 kg, 4.54 kg, 6.80 kg, 9.07 kg, 13.61 kg) per spool (other: standard commercial weights)	none required	Wooden boxes (Figs. 1-4). Boxes shall be case-lined with one layer of Type IIA barrier or two layers of Type III barrier.	300 (136.08)
Straight lengths	AL-oiled, Mg-Chrome pickled (6.1.1.1-6.1.1.3)	Wooden boxes (Figs. 5-7). Boxes shall be case-lined with one layer of Type IIA barrier or two layers of Type III barrier. or Corrugated fiberboard boxes, Class weather-resistant (S6.1) or Fiber-drums (7.14)	1000 <sup>B</sup> (453.59)  300 (136.08)  200 (90.72)
Blooms and billets	See ingot	...	
Bus conductors (cold-finished, drawn, extruded and rolled)	See bar, straight lengths	...	
Cable (bare and covered):			

**TABLE 1** *Continued*

Product	Preservation (6.1.1)	Packing (Section 7) for Barrier, see Table 4	Maximum <sup>A</sup> Net Weight Per Container, lb (kg) (7.16)
Size 1/0 and smaller	none required	Wrapped coils (Fig. 19). Wrap with one layer of Type IIB barrier. or	(bare) 250 (113.40) (covered) 200 (90.72)
		Reels (Fig. 23).	(bare) 1250 (566.99) (covered) 1000 (453.59)
Size larger than 1/0	none required	Reel (Fig. 23).	(bare) 1600 (725.75) (covered) 1300 (589.67)
Casting and forgings, finished.	none required	Wooden boxes (Figs. 1-4) or Style 1 Crate Fig. 16). Boxes and crates shall be case lined with one layer of Type IIA barrier or two layers of Type III barrier.	2000 (907.18)
Castings and forgings, rough	none required	Bare bundles (Fig. 20).	1000 (453.59)
Conduit	See ANSI schedule pipe.	...	
Extruded profiles (metal less than 1 lb per linear foot) <sup>C</sup>	AL-oiled, Mg-Chrome-pickled (6.1.1.1-6.1.1.3)	Wooden boxes (Fig. 5-7). Boxes shall be case lined with one layer of Type IIA barrier or	2000 (907.18)
Fittings (pipe and conduit)	AL-oiled, Mg-Chrome-pickled (6.1.1.1-6.1.1.3)  External threads shall be covered with suitable thread protectors.	Corrugated fiberboard boxes, Class weather-resistant (S6.1) or	300 (136.08)
		Wooden boxes (Figs. 1-4) or Style 1 crate (Fig. 16) dependent upon size of fittings. Boxes and crates shall be case lined with one layer Type IIA barrier.	100 (45.36)
Foil <sup>D,E,H</sup>			
Coiled	Foil shall be wound on aluminum fiber or steel cores. End of coil shall be secured with pressure sensitive tape. Sheared edges shall be protected from flanges and adjacent coils with suitable edge protectors. Each coil, or coils (see 7.10) shall be wrapped with aluminum 0.001 in. (0.0254 mm) thick aluminum foil.	Wooden boxes (Figs. 1-4). Coils shall be suspended by extended cores or wood dowels through the core. Core extension or dowel shall be inserted in wood flanges so that periphery of coil does not contact inner surface of box (Fig. 24). Minimum flange thickness shall be as specified in 7.10.	500 (226.80)
	Foil wrap shall be a conformable wrap completely enclosing the coil or coils and edge protectors on each core or dowel (Fig. 24).	Corrugated fiberboard boxes, Class weather-resistant (S6.1) suspended as above.	300 (136.08)
Flat	none required	Wooden boxes (Figs. 1-4). Contents shall be wrapped with one separate layer of Type IIA barrier. or	500 (226.80)
		Corrugated fiberboard boxes, Class weather-resistant (S6.1)	300 (136.08)
Forgings	See castings	...	
Forging stock	See bar	...	
Impact extrusions	none required	Wooden boxes (Figs. 1-4). Boxes shall be lined with one layer of Type IIA barrier. or	700 (317.51)
		Corrugated fiberboard boxes, Class weather-resistant (S6.1)	300 (136.08)

**TABLE 1** *Continued*

Product	Preservation (6.1.1)	Packing (Section 7) for Barrier, see Table 4	Maximum <sup>A</sup> Net Weight Per Container, lb (kg) (7.16)
Ingots:			
500 lb (226.80 kg) per piece and over	none required	Loose	...
30–500 lb (13.61–226.80 kg) per piece	none required	Bare bundles (Fig. 22). Size of bundle straps shall be as shown in Table 7. A minimum of two straps shall be used per bundle.	3500 (1587.57)
Less than 30 lb (13.61 kg) per piece	none required	Pallets (Fig. 21). Size pallet straps shall be as shown in Table 7. or	2500 (1133.98)
		Self-palletized bundle. Interlocking ingots that are self-palletized may be shipped in strapped bundles not over 42 in. (1066.8 mm) high. Bundle shall be strapped with a minimum of one ¾-in. (19.05 mm) steel strap.	1500 (680.39)
Grained and granulated ingot and shot	Product to be packed in wood boxes (Figs. 1-4), shall be packaged in Federal Specification PPP-B-566, boxes, folding, paperboard.	Wooden boxes (Figs. 1-4) or	500 (226.80)
		Federal Specification PPP-P-704 Steel Pails (7.12). Pails shall not be overpacked. or	70 (31.75)
		Federal Specification PPP-D-705 and PPP-D-729 Steel Drums (7.13). Drums shall not be overpacked. or	650 (294.84)
		Federal Specification PPP-D-723 Fiber Drums (7.15). Drums shall not be overpacked.	550 (249.48)
Paste and powder	Product to be packed in wooden boxes (Figs. 1-4) shall be packaged in 1 (0.45), 2 (0.91), or 10 (4.54) lb (kg) friction top can in accordance with Federal Specification PPP-C-96, Type V, Class 2.	Wooden boxes (Figs. 1-4). or	50 (22.68)
		Federal Specification PPP-D-705 or PPP-D-729 Steel Drums (7.13). Drums shall not be overpacked.	600 (272.16)
Plate: <sup>F</sup>			
Flat and tapered	AI see Table 2, Mg see Table 3.	Pallets (Figs. 9-12) with pallet enclosures (Fig. 13, Fig. 14, and Fig. 15). Contents shall be wrapped with one layer of Type IIA barrier or two layers of Type III barrier.	4000 (1814.37)
Circles	AI see Table 2, Mg see Table 3.	Pallets (Figs. 9-12) with pallet enclosures (Fig. 13, Fig. 14, and Fig. 15). Contents shall be wrapped with one layer of Type IIA barrier or two layers of Type III barrier.	4000 (1814.37)
<del>—Floor and tread —Plate and abrasive —Tread plate</del>	<del>none required</del>	<del>Pallets (Figs. 9-12). Secure contents to pallet with minimum two lengthwise and two girthwise straps, size 1¼ by 0.031 in. (31.75 mm by .787 mm)</del>	<del>10 000 (4535.92)</del>
<u>Floor and tread Plate and abrasive Tread plate</u>	<u>none required</u>	<u>Pallets (Figs. 9-12). Secure contents to pallet with minimum two lengthwise and two girthwise straps, size 1¼ by 0.031 in. (31.75 mm by 0.787 mm)</u>	<u>10 000 (4535.92)</u>
Screw machine stock	See bar	...	
Sheet: <sup>G,H</sup>			
Flat and tapered			
90 lb (40.82 kg) per piece or less or 15 ft (4.572 m) in length or less	AI see Table 2, Mg see Table 3.	Pallet enclosure (Fig. 15)	4000 (1814.37)

**TABLE 1** *Continued*

Product	Preservation (6.1.1)	Packing (Section 7) for Barrier, see Table 4	Maximum <sup>A</sup> Net Weight Per Container, lb (kg) (7.16)
		Contents of box shall be wrapped with two layers of Type IIA barrier or one layer of Type IIA barrier and one layer of Type III barrier.	(Not to exceed 200 sheets)
Over 90 lb (40.82 kg) per piece or over 15 ft (4.572 m) in length	Al see Table 2, Mg see Table 3.	Pallets (Figs. 9-12) with pallet enclosures (Fig. 13 and Fig. 14). Contents shall be wrapped with two layers of Type IIA barrier.	4000 (1814.37)
Coiled	Al-coiled, Mg-Chrome-pickled (6.1.1.1-6.1.1.3)	Pallets (Figs. 9-12) with pallet enclosure (Fig. 14). Contents shall be wrapped with one layer of Type IIA barrier or two layers of Type III barrier.	4000 (1814.37)
Roofing and siding	none required	Pallets (Figs. 9-12) with pallet enclosures (Fig. 13 and Fig. 14). Contents shall be wrapped with one layer of Type IIA barrier.	4000 (1814.37)
Structural profiles (extruded and rolled) <sup>G</sup>			
Less than 150 lb (68.04 kg) per piece	Al-none required. Mg-Chrome-pickled.	Wooden boxes (Figs. 5-7). Boxes shall be case lined with one layer of Type IIA barrier or two layers of Type III barrier. or Corrugated fiberboard boxes, Class weather-resistant (S.1.7.1)	1000 (453.59)  300 (136.08)
150 lb (68.04 kg) per piece and over	Al-none required. Mg-Chrome-pickled.	Loose	...
Tubular products (drawn, extruded, and welded):			
Coiled	Al-oiled, Mg-oiled (6.1.1.1-6.1.1.3). Stagger wound coils shall be tied through the core in two places with twine or pressure sensitive tape. Pancake or level layer would coils shall not be tied.	Style 1 crates (Fig. 16). Crates shall be case lined with one layer of Type IIA barrier.	700 (317.51)
Straight lengths	Al-oiled, Mg-Chrome-pickled (6.1.1.1-6.1.1.3). When the wall thickness of tube is less than 2½ % of the outside diameter, boxes shall be lined with suitable cushioning material.	Wooden boxes (Figs. 5-7). Boxes shall be case lined with one layer of Type IIA barrier, or Corrugated fiberboard boxes Class weather-resistant (S6.1). or Fiber tubes (7.16).	300 (136.08)  200 (90.72)
ANSI schedule pipe	Al-no preservative required. Mg-Chrome pickled (6.1.1.1-6.1.1.3). External threads shall be covered with suitable protectors.	Wooden boxes (Figs. 5-7). Boxes shall be case lined with one layer of Type IIA barrier or two layers of Type III barrier. or Style 2 and 3 crates (Fig. 17 and 18). Crates shall be case lined with one layer of Type IIA barrier. or Fiber tubes (7.16).	800 (362.87)  4000 (1814.37)  200 (90.72)
Construction pipe	Al-no preservative required. Mg-Chrome pickled (6.1.1.1-6.1.1.3).	Same as for ANSI scheduled pipe above.	See Packing
Welding and brazing rod			
Coiled	none required	Wrapped coils (Fig. 19). Wrap with one layer of Type IIA barrier or two layers of Type III barrier.	120 (54.43)

**TABLE 1** *Continued*

Product	Preservation (6.1.1)	Packing (Section 7) for Barrier, see Table 4	Maximum <sup>A</sup> Net Weight Per Container, lb (kg) (7.16)
Straight lengths, 36 in. (914.4 mm)	Package 5 lb (2.27 kg) per fiber tube with metal ends or 10 lb (4.54 kg) per fiberboard carton. 10 fiber tubes or 8 cartons shall be overpacked in a weather-resistant fiberboard carton in accordance with Practice <b>D1974</b> . All corners and seams of boxes, including manufacturer's joint, shall be sealed with Specification <b>D5486/D5486M</b> , Type III or IV, Class 1, minimum 2 in. (50.8 mm) wide tape.	Wooden boxes (Figs. 1-4). Fiberboard boxes shall be overpacked in wooden boxes.	1000 (453.59)
<del>Inert gas welding electrode</del>	<del>1, 5, 10, 12½, 15, or 30 lb (4.5 kg, 2.27 kg, 4.54 kg, 5.67 kg, 6.80 kg, or 13.61 kg) spools. Individual spools shall be adequately protected by application of moisture-resistant barrier and packaged single or in multiple in fiberboard boxes Practice <b>D1974</b>, Type CF, Class weather-resistant.</del>	<del>Fiberboard boxes in accordance with Practice <b>D1974</b>, Type CF, Class weather-resistant, Grade V3c. All corners and seams of boxes, including manufacturer's joint, shall be sealed with Specification <b>D5486/D5486M</b>, Type III or IV, Class 1, minimum 2 in. (50.8 mm) wide tape. Three 5/8 by 0.015 in. (15.88 by 381 mm) flat steel straps, one lengthwise and two girthwise, shall be applied to each box. Maximum gross weight and dimensions of the box specification shall not be exceeded.</del> <del>or</del>	<del>See Packing</del>
<u>Inert gas welding electrode</u>	<u>1, 5, 10, 12½, 15, or 30 lb (0.45 kg, 2.27 kg, 4.54 kg, 5.67 kg, 6.80 kg, or 13.61 kg) spools. Individual spools shall be adequately protected by application of moisture-resistant barrier and packaged single or in multiple in fiberboard boxes Practice <b>D1974</b>, Type CF, Class weather-resistant.</u>	<u>Fiberboard boxes in accordance with Practice <b>D1974</b>, Type CF, Class weather-resistant, Grade V3c. All corners and seams of boxes, including manufacturer's joint, shall be sealed with Specification <b>D5486/D5486M</b>, Type III or IV, Class 1, minimum 2 in. (50.8 mm) wide tape. Three 5/8 by 0.015 in. (15.88 by 381 mm) flat steel straps, one lengthwise and two girthwise, shall be applied to each box. Maximum gross weight and dimensions of the box specification shall not be exceeded.</u> <u>or</u>	<u>See Packing</u>
		Wooden boxes (Figs. 1-4). Intermediate fiberboard boxes overpacked in wooden boxes, shall be closed in accordance with the closure method prescribed above for the fiberboard shipping in wooden containers.	1000 (453.59)

<sup>A</sup> Maximum weights specified in this table are for shipments to  $\emptyset\emptyset\emptyset\emptyset$  only.  
<sup>B</sup> Weight may be increased to 2000 lb (907.18 kg) for large quantities for manufacturing when specified in the contract or order.  
<sup>C</sup> For metal weighing 1 lb (45(0.45 kg)/linear foot or more, see structural profiles.  
<sup>D</sup> Foil is sheet metal less than 0.0079 in. (0.200 mm) thick.  
<sup>E</sup> Foil for food handling applications shall be preserved and packed as specified in the contract or order.  
<sup>F</sup> Classification of sheet and plate: Sheet is 0.006 through 0.249 in. (152(0.152 through 6.32 mm) thick; plate is 0.250 in. (6.35 mm) and thicker.  
<sup>G</sup> For metal weighing less than 1 lb (45(0.45 kg)/linear foot, see extruded profiles.  
<sup>H</sup> There is an overlap in the thickness range 0.006 to 0.0079 in. defined for foil and sheet. Sheet products in this thickness range are supplied to sheet product specifications and foil products in this thickness range are supplied to foil product specifications.

6.1.1.1 *Cleanliness*—Surfaces shall be commercially clean, and free from loose mill scale, dirt, foreign matter, or corrosion. The presence of residual rolling oil shall not be considered foreign matter.

6.1.1.2 *Preservatives*—Oil used for preservation of aluminum products shall conform to the requirements of Aluminum Standards and Data-Protective Oil for Aluminum, MIL-PRF-32033 or MIL-PRF-7870. Oil used for preservation of magnesium products shall conform to the requirements of MIL-PRF-16173, Grade 2, or MIL-C-11796, Class 3. Chrome pickle treatment of magnesium products shall conform to the requirements of Practices **D1732**.

6.1.1.3 *Application of Preservative Coating*—The application of corrosion-preventive material demands careful attention; compounds shall not be applied to surfaces that show signs of moisture, condensation, frost, dirt, or other contaminants. The maximum corrosion resistance is obtained only by a thorough coating of a contaminant-free surface. It is essential that articles treated are not unduly handled until film is set. Application may be by dipping, brushing, rolling, spraying, or flowing onto the surface.



**TABLE 2 Preservation of Aluminum Sheet and Plate**  
(See Table 1)

Product	Preservation <sup>A,B</sup>
Abrasive tread plate	None required
Flat and tapered sheet and plate, and all circles:	
— circles:	
— Clad, all alloys:	None required
— Clad, all alloys:	
— Circles less than 12 in. (304.88 mm) in diameter	
— Circles less than 12 in. (304.88 mm) in diameter	None required
— Flat, tapered and circles 12 in. (304.88 mm) in diameter and over	Interleaved
— Nonclad:	
— Nonclad:	
— Circles less than 12 in. (304.88 mm) in diameter	None required
— Circles less than 12 in. (304.88 mm) in diameter	None required
— Flat, tapered and circles 12 in. (304.88 mm) in diameter and over:	
— Flat, tapered and circles 12 in. (304.88 mm) in diameter and over	None required
Heat-treatable alloys, all tempers <sup>B</sup>	Oiled (6.1.1.1 – 6.1.1.3) <sup>C</sup>
— Heat-treatable alloys, all tempers <sup>B</sup>	Oiled (6.1.1.1 – 6.1.1.3) <sup>C</sup>
— Non-heat-treatable alloys: <sup>B</sup>	
— Non-heat-treatable alloys: <sup>B</sup>	Oiled (6.1.1.1 – 6.1.1.3) <sup>C</sup>
— Annealed	Interleaved (6.1.1.4)
— Other than annealed:	
— Annealed	Interleaved (6.1.1.4)
— Other than annealed:	
— 0.060 in. (1.524 mm) thick and over	Interleaved (6.1.1.4)
— 0.060 in. (1.524 mm) thick and over	Interleaved (6.1.1.4)
— Less than 0.060 in. (1.524 mm) thick	Oiled (6.1.1.1 – 6.1.1.3) <sup>C</sup>
— Less than 0.060 in. (1.524 mm) thick	Oiled (6.1.1.1 – 6.1.1.3) <sup>C</sup>
Painted, chemical conversion coated, and anodized sheet and plate	Interleaved (6.1.1.4)
— and anodized sheet and plate	
Floor and tread plate	None required
Coiled sheet	Oiled (6.1.1.1 – 6.1.1.3) <sup>C</sup>
Perforated sheet	Oiled (6.1.1.1 – 6.1.1.3) <sup>C</sup>
Roofing and siding sheet	None required

<sup>A</sup> Interleaving paper shall be Type 1 paper (Table 4). For metal 0.090 in. (2.29 mm) thick and less interleaving paper shall be minimum 10-lb basis weight; for metal over 0.090 in. (2.29 mm) thick interleaving paper shall be minimum 15-lb basis weight.

<sup>B</sup> Heat-treatable alloys are the 2000, 6000, and 7000 groups. Non-heat-treatable alloys are the 1000, 3000, and 5000 groups.

<sup>C</sup> For other than DOD requirements, oil at mill option.

6.1.1.4 *Interleaving*—The interleaving paper shall fully cover the metal; for manual application, paper shall extend ~~1 in.~~ 1 in. (25.4 mm) beyond sides and ends, for machine application, paper may be same size as the metal provided the metal is fully covered.

6.1.1.5 *Wraps*—Application of wraps shall be in accordance with Table 1. Products may be machine-wrapped or hand-wrapped.

**TABLE 3 Preservation of Magnesium Sheet and Plate**  
(See Table 1)

Product	Preservation <sup>A,B</sup>
Flat sheet and plate:	
— Less than 0.005 in. (.127 mm) thick	Oiled ( <del>6.1.1.1 – 6.1.1.3</del> )
— Less than 0.005 in. (0.127 mm) thick	Oiled ( <del>6.1.1.1 – 6.1.1.3</del> )
	— or —
	or
	Oiled and interleaved
	— ( —
	<del>6.1.1.1 – 6.1.1.4</del> )
	Oiled and interleaved
	<del>(6.1.1.1 – 6.1.1.4)</del>
	— or —
	or
	Chrome-pickled and interleaved
	— interleaved
— 0.005 in. (.127 mm) and thicker	None or Oiled
	<del>(6.1.1.1 – 6.1.1.3)</del>
— 0.005 in. (0.127 mm) and thicker	None or Oiled
	<del>(6.1.1.1 – 6.1.1.3)</del>

<sup>A</sup> Interleaving paper shall be as specified for aluminum sheet and plate (Table 2 Footnote A).

<sup>B</sup> Preservation desired must be as specified in the contract or order.

6.1.2 *Commercial Preservation*—When commercial preservation is specified, items will be given the degree of protection normally employed by the supplier against corrosion, deterioration, and damage during shipment.

6.2 *Material Requirements:*

6.2.1 *Fiberboard*—Fiberboard for boxes and liners shall conform to the requirements of Specification D4727/D4727M, class weather-resistant.

6.2.2 *Paper and Barrier Material*—Paper and barrier material shall conform to the requirements of Table 4.

ASTM B660-21

TABLE 4 Minimum Requirements for Paper and Barrier Materials (See Table 1)<sup>A</sup>

Type	Tensile Strength in Weaker Direction FTMS 2038	Stretch in Creped Direction FTMS 2038	Contact Corrosivity FTMS 3005	Oil Resistance FTMS 3017	Water Resistance Test Method D779	Military/Federal Specification
I. Interleaving: <sup>B</sup>						
A. 10 lb (4.54 kg), uncreped	1½		No corrosion	No delamination, embrittlement, or disintegration		A-A-1249, Tp II
B. 30 lb (13.61 kg), uncreped	10					MIL-DTL-17667, Tp 1 <sup>C</sup>
II. Exterior and interior						
A. Uncreped <sup>D</sup>	65	...	No corrosion	No penetration for 24 hr min and no delamination, embrittlement, or disintegration	24	
B. Creped <sup>E,F</sup>	35	20			24	
III. Exterior and interior wrap, non-reinforced						
A. Uncreped	30	...	No corrosion	No penetration for 24 h min and no delamination, embrittlement, or disintegration	24	MIL-PRF-121:
B. Creped	25	15			24	Tp I, Gd A, Cl 1 Tp I, Gd A, Cl 2

<sup>A</sup> The minimum requirements listed in Table 4 are based on the results of tests performed in accordance with the test methods outlined in MIL-STD-3010, and Test Method D779.

<sup>B</sup> Interleaving paper shall be nonabrasive to aluminum surfaces, and have a hydrogen ion concentration (pH) of between 4.5 and 7.5.

<sup>C</sup> Except that spring back and identification requirements shall not apply, that the pH value shall be that shown in Footnote B, and that corrosive properties shall be tested for aluminum and magnesium only.

<sup>D</sup> Shall have random dispersed reinforced, or a reinforcement spacing not less than 12 threads per foot (39 threads per meter) in both directions.

<sup>E</sup> Shall have random dispersed reinforcement, or a reinforcement spacing not less than 12 threads per foot (39 threads per meter) in the longitudinal direction.

<sup>F</sup> Tensile strength shall apply only in the reinforced direction.

6.2.3 *Wood*—The species of wood indicated in **Table 5** and classified into groups as shown shall be used. The groups are set up to include, in any one group, species of woods that have approximately similar characteristics important to box design. These characteristics include density, flexural and compressive strength, stiffness, shock absorption, and nailholding power. When any species of wood is specified, any one or more species in the same group may be used. Groups I and II may be interchanged. Groups III and IV may be interchanged.

6.2.4 *Lumber*—All lumber dimensions used in these practices are nominal sizes except where minimum sizes are specified. At least one surface, which is to be placed on the outside of boxes, crates, or pallet closures, shall be sufficiently smooth to permit legible marking, stenciling, or printing. Pieces shall be cut true to length. The boards shall be free of defects that materially weaken them, expose the contents of the box to damage, or interfere with the prescribed fabrication or nailing.

6.2.5 *Plywood*—Unless otherwise specified, plywood used to fabricate cleated panels shall conform to Federal Specification Product Standard APA-PS1 and Federal Specification A-A-55057, standard interior (Grade C-D) with exterior glue.

6.2.6 *Hardboard*—Unless otherwise specified, hardboard shall be in accordance with ANSI/AHA A135.4. When appropriate, hardboard or other composite boards may be used in lieu of plywood for panel stock provided that they are weather resistant and are so sized that they will perform to the same level as plywood.

6.2.7 *Nails and Staples*—Nails and staples shall conform to Specification **F1667** or equivalent. All unclined nails shall be cement-coated or chemically etched, except for Style 18 (spiral-shanked) and ring-shanked nails which are also acceptable.

6.2.8 *Strapping*—Flat steel strapping shall conform to Specification **D3953**, Type 1, Finish A. Equivalent nonmetallic strapping conforming to Specification **D3950** may be used when comparable strength requirements are satisfied.

6.2.9 *Tapes*—Tapes shall conform to the requirements of Federal Specifications A-A-1671 or Specification **D5486/D5486M** as applicable.

6.3 *Packing*—Packing shall be Level A or commercial packing in accordance with Sections 7 and 8.

NOTE 1—Only one type, class, or size of material shall be packed in a single container.

## 7. Level A Packing

7.1 *General*—When Level A is specified in the contract or order, items shall be packed in accordance with the requirements in **Table 1**. When **Table 1** provides a choice of several containers for a particular product, any one of the containers may be selected for use, unless specifically prohibited by the contract or order. This section provides requirements applicable to packing procedures and construction details for containers and methods not covered by specification reference.

7.2 *Boxes (Figs. 1-7)*—When required by **Table 1**, boxes shall be constructed as follows:

**TABLE 5 Species of Wood**

Group I	Group II	Group III	Group IV
Alder, red	Douglas fir	Ash (except white ash)	Ash (white)
Aspen (popple)	Hemlock	Elm, soft	Beech
Basswood	Larch (tamarack)	Gum, red or black	Birch
Buckeye	Pine, Southern	Maple, soft or California	Cherry
Butternut	yellow	Oak, California	Elm, hard
Cedar	Western larch	Sweetgum	Hackberry
Chestnut		Sycamore	Hickory
Cottonwood		Tupelo	Locust
Cypress			Maple, hard
Fir ( <i>Abies</i> sp)			Oak
Magnolia			Pecan
Pine (except Southern yellow)			
Redwood			
Spruce			
Willow			
Yellow poplar			

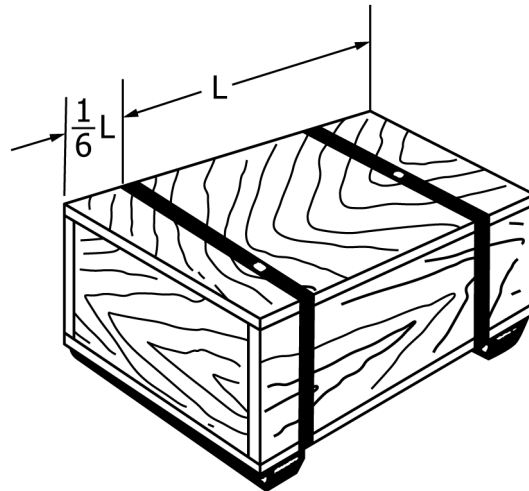


FIG. 1 Style 1 Nail Wood Box<sup>A</sup>

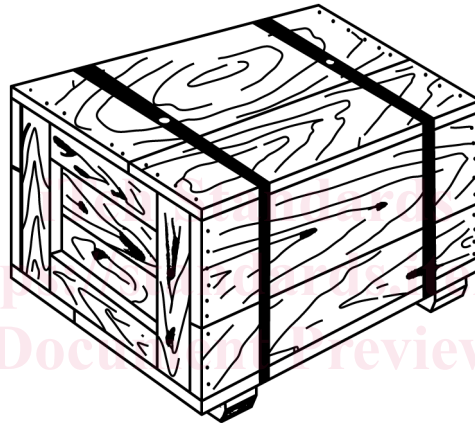


FIG. 2 Style 2 Nail Wood Box<sup>A</sup>

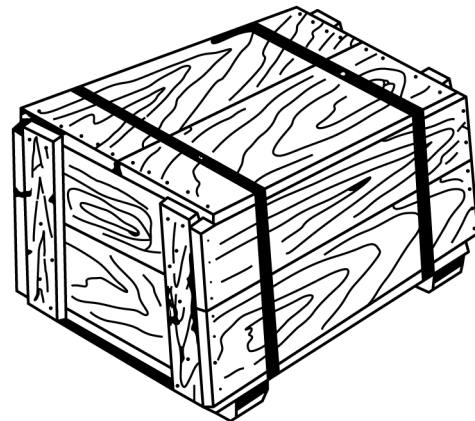


FIG. 3 Style 4 Nail Wood Box<sup>A</sup>

7.2.1 *Top and Bottom Panels*—Top and bottom panels shall consist of a complete covering of lumber. Panels for boxes, Figs. 1-5, shall be without cleats. Panels for boxes, Fig. 6 and Fig. 7, shall be with cleats. Thickness of panels shall be in accordance with Table 6.

7.2.2 *Side and End Panels*—Side and end panels shall consist of a complete covering of lumber, unless otherwise specified. Thickness and panels shall be in accordance with Table 6.