



Standard Specification for Thermoplastic Well Casing Pipe and Couplings Made in Standard Dimension Ratios (SDR), SCH 40 and SCH 80¹

This standard is issued under the fixed designation F480; the number immediately following the designation indicates the year of original adoption or, in the case of revision, the year of last revision. A number in parentheses indicates the year of last reapproval. A superscript epsilon (ϵ) indicates an editorial change since the last revision or reapproval.

1. Scope*

1.1 This specification covers water well casing pipe and couplings made from thermoplastic materials in standard dimension ratios (SDR), SCH 40 and SCH 80.

1.2 Specifications are provided for the application of these materials to water well and ground water monitoring applications. Flush threaded joint systems are included for screen and casing used primarily in the construction of ground water monitoring wells (see Practice [D5092/D5092M](#)).

1.3 The values stated in inch-pound units are to be regarded as standard. The values given in parentheses are mathematical conversions to SI units that are provided for information only and are not considered standard. (See [IEEE/ASTM SI 10](#).)

NOTE 1—Certain field conditions may require alternative materials to ensure safe long-term use. The user should consult federal, state, and local codes governing the use of thermoplastic materials for well casing or monitor pipe.

NOTE 2—This standard specifies dimensional, performance and test requirements for plumbing and fluid handling applications, but does not address venting of combustion gases.

1.4 Although the pipe sizes and SDR values listed in this specification are generally available, numerous other plastic pipes in Schedule 40 and 80 wall, other SDR values and various outside diameters have been used for well casing. Such products are often selected because they fulfill certain needs and [Annex A1](#) includes a list of these Plastic Pipe Well Casing Specials.

1.5 The following safety hazards caveat pertains only to the test method portion, Section 6, of this specification: *This standard does not purport to address all of the safety concerns, if any, associated with its use. It is the responsibility of the user of this standard to establish appropriate safety, health, and environmental practices and determine the applicability of regulatory limitations prior to use.*

1.6 This international standard was developed in accordance with internationally recognized principles on standard-

ization established in the Decision on Principles for the Development of International Standards, Guides and Recommendations issued by the World Trade Organization Technical Barriers to Trade (TBT) Committee.

2. Referenced Documents

2.1 ASTM Standards:²

- [D618 Practice for Conditioning Plastics for Testing](#)
- [D638 Test Method for Tensile Properties of Plastics](#)
- [D653 Terminology Relating to Soil, Rock, and Contained Fluids](#)
- [D1527 Specification for Acrylonitrile-Butadiene-Styrene \(ABS\) Plastic Pipe, Schedules 40 and 80 \(Withdrawn 2013\)³](#)
- [D1600 Terminology for Abbreviated Terms Relating to Plastics](#)
- [D1784 Classification System and Basis for Specification for Rigid Poly\(Vinyl Chloride\) \(PVC\) Compounds and Chlorinated Poly\(Vinyl Chloride\) \(CPVC\) Compounds](#)
- [D1785 Specification for Poly\(Vinyl Chloride\) \(PVC\) Plastic Pipe, Schedules 40, 80, and 120](#)
- [D1892 Specification for Styrene-Butadiene Molding and Extrusion Materials \(Withdrawn 1987\)³](#)
- [D1898 Practice for Sampling of Plastics \(Withdrawn 1998\)³](#)
- [D2122 Test Method for Determining Dimensions of Thermoplastic Pipe and Fittings](#)
- [D2235 Specification for Solvent Cement for Acrylonitrile-Butadiene-Styrene \(ABS\) Plastic Pipe and Fittings](#)
- [D2241 Specification for Poly\(Vinyl Chloride\) \(PVC\) Pressure-Rated Pipe \(SDR Series\)](#)
- [D2282 Specification for Acrylonitrile-Butadiene-Styrene \(ABS\) Plastic Pipe \(Withdrawn 2006\)³](#)
- [D2412 Test Method for Determination of External Loading Characteristics of Plastic Pipe by Parallel-Plate Loading](#)
- [D2444 Practice for Determination of the Impact Resistance of Thermoplastic Pipe and Fittings by Means of a Tup \(Falling Weight\)](#)

¹ This specification is under the jurisdiction of ASTM Committee F17 on Plastic Piping Systems and is the direct responsibility of Subcommittee F17.61 on Water.

Current edition approved Feb. 1, 2022. Published March 2022. Originally approved in 1976. Last previous edition approved in 2014 as F480 – 14. DOI: 10.1520/F0480-14R22.

² For referenced ASTM standards, visit the ASTM website, www.astm.org, or contact ASTM Customer Service at service@astm.org. For *Annual Book of ASTM Standards* volume information, refer to the standard's Document Summary page on the ASTM website.

³ The last approved version of this historical standard is referenced on www.astm.org.

*A Summary of Changes section appears at the end of this standard



D2564 Specification for Solvent Cements for Poly(Vinyl Chloride) (PVC) Plastic Piping Systems
D2855 Practice for the Two-Step (Primer and Solvent Cement) Method of Joining Poly (Vinyl Chloride) (PVC) or Chlorinated Poly (Vinyl Chloride) (CPVC) Pipe and Piping Components with Tapered Sockets
D3122 Specification for Solvent Cements for Styrene-Rubber (SR) Plastic Pipe and Fittings
D3965 Classification System and Basis for Specifications for Rigid Acrylonitrile-Butadiene-Styrene (ABS) Materials for Pipe and Fittings
D5092/D5092M Practice for Design and Installation of Groundwater Monitoring Wells
F402 Practice for Safe Handling of Solvent Cements, Primers, and Cleaners Used for Joining Thermoplastic Pipe and Fittings
F412 Terminology Relating to Plastic Piping Systems
IEEE/ASTM SI 10 American National Standard for Use of the International System of Units (SI): The Modern Metric System

2.2 ANSI Standards:⁴

B1.5 ACME Screw Threads

B1.8 Stub ACME Screw Threads

B1.9 Buttress Inch Screw Threads

2.3 Federal Standard:⁵

FED-STD-123 Marking for Shipment (Civil Agencies)

2.4 Military Standard:⁵

MIL-STD-129 Marking for Shipment and Storage

2.5 Other Standards:

Screw-Threads Standards for Federal Services 1957, Handbook H28, Part III⁶

NSF 14 Plastic Piping System Components and Related Materials

NSF 61 Drinking Water System Components⁷

3. Terminology

3.1 Definitions are in accordance with Terminology **F412** and abbreviations are in accordance with Terminology **D1600**, unless otherwise specified. The abbreviation for acrylonitrile-butadiene-styrene plastic is ABS. The abbreviation for poly(vinyl chloride) is PVC. The abbreviation for styrene-rubber is SR.

3.2 Ground water investigation terms are in accordance with Terminology **D653**.

4. Classification

4.1 Well casing is produced in either plain end, belled end, or threaded, and is used for water wells, ground water monitoring, leak detection, recovery systems, dewatering systems, and waste disposal.

5. Materials and Manufacture

5.1 *Specification*—The material described shall meet or exceed the requirements of (1) Specification **D3965** for ABS with a cell classification of 44322 or 33333, (2) Specification **D1784** for PVC with a cell classification of 12454 or 14333, or (3) Specification **D1892** for SR with a cell classification of 4434A. The material so described shall be approved for potable water.

NOTE 3—Caution should be exercised to control heat of hydration during grouting as thermoplastic materials are heat sensitive. Accelerators tend to increase the heat of hydration and are not recommended.

5.2 Acrylonitrile-butadiene-styrene (ABS) well casing pipe and couplings plastic shall be virgin plastic produced by the original compounder (see Specification **D1527**). The minimum butadiene content is 6 %; the minimum acrylonitrile content is 15 %; the minimum styrene or substituted styrene content, or both, is 15 %; and the maximum content of other monomers is 5 % and lubricants, stabilizers, and colorants.

5.3 Poly(vinyl chloride) (PVC) well casing pipe and couplings plastic shall be made of virgin plastic produced by the original compounder. It shall contain poly(vinyl chloride) homopolymer, and such additives—stabilizers, lubricants, processing aids, impact improvers, and colorants—as needed to provide the required processing and toughness characteristics (see Test Method **D638**).

5.4 The SR plastics compound shall contain at least 50 % styrene plastics, combined with rubbers to a minimum rubber content of 5 %, and compounding materials such as antioxidants and lubricants, and may contain up to 15 % acrylonitrile combined in the styrene plastics or rubbers, or both. The rubbers shall be of the poly-butadiene or butadiene-styrene type, or both, with a maximum styrene content of 25 % or nitrile type, or both. The combined styrene plastics and rubber content shall be not less than 90 %.

5.5 *Rework Material*—Clean rework material generated from the manufacturer's own well casing pipe and couplings production may be used by the same manufacturer, provided the well casing pipe and couplings produced meet all the requirements of this specification.

5.6 Solvent Cement:

5.6.1 *Specification*—The solvent cement shall meet the requirements of Specification **D2235** for ABS, Specification **D2564** for PVC, or Specification **D3122** for SR (see Supplementary Requirements S3).

6. Requirements

6.1 *Workmanship*—The pipe shall be homogeneous throughout and essentially uniform in color, opacity, density, and other properties. The inside and outside surfaces shall be semi-matte or glossy in appearance (depending on the type of plastic) and free of chalking, sticky, or tacky material. The surfaces shall be free of excessive bloom, that is, slight bloom is acceptable. The pipe walls shall be free of cracks, holes, blisters, voids, foreign inclusion, or other defects that are visible to the naked eye and that may affect the wall integrity.

⁴ Available from American National Standards Institute (ANSI), 25 W. 43rd St., 4th Floor, New York, NY 10036, <http://www.ansi.org>.

⁵ DLA Document Services Building 4/D 700 Robbins Avenue Philadelphia, PA 19111-5094 <http://quicksearch.dla.mil/>.

⁶ U.S. Government Bookstore 710 North Capitol Street N.W. Washington, DC <http://bookstore.gpo.gov/>.

⁷ Available from NSF International, P.O. Box 130140, 789 N. Dixboro Rd., Ann Arbor, MI 48113-0140, <http://www.nsf.org>.

Machined slots or holes deliberately placed in pipe are acceptable. Bloom or chalking may develop in pipe exposed to direct rays of the sun (ultraviolet radiant energy) for extended periods, and consequently these requirements do not apply to pipe after extended exposure to direct rays of the sun.

6.1.1 *Ground Water Investigations*—Pipe manufactured into products used in ground water investigations should have surfaces that are visually free of oils, grease, dust, and marks imparted as a result of the manufacturing process.

6.2 *Well Casing Pipe:*

6.2.1 *Dimensions*—The outside diameter and wall thickness of the well casing pipe shall meet the requirements given in Table 1 or Table 2 when measured in accordance with Test Method D2122. (See Specification D2282.)

6.2.2 *Wall Thickness Eccentricity*—The wall thickness eccentricity of the pipe shall be within 12 %.

6.2.3 *Length*—The well casing pipe shall be in either 10 ft or 20 ft (3.05 m or 6.10 m) lengths, unless otherwise specified. The allowable tolerance on length shall be +½, –0 in. (+13, –0 mm) when measured in accordance with Test Method D2122.

6.2.4 *Flush Joint Threaded Length*—If specified by the manufacturer or purchaser, the assembled length of flush threaded casing or screen shall be a nominal length such as 5 ft, 10 ft, or 20 ft. Any given laying length the purchaser specifies will constitute an assembled length. The allowable tolerance shall be +½, –⅛ in. (+13, –3 mm) on the components of the assembled laying length. The overall length of all flush threaded screen and casing shall be the nominal or specified laying length plus the length of the exposed male thread (pin).

NOTE 4—The purchaser should specify whether the length is to be the laying length or the overall length. The term “laying length” refers to the overall length less the length required to complete the assembly.

6.3 *Well Casing Pipe Couplings:*

6.3.1 *Socket Dimensions*—The socket dimensions of couplings shall conform to the requirements given in Table 3 and Table 4 when measured in accordance with Test Method D2122.

6.3.2 *Bell Socket Dimensions*—The socket dimensions of well casing pipe bell couplings shall be as shown in Table 5 when measured in accordance with Test Method D2122.

6.3.3 *Bell Socket Wall Thickness*—The wall thickness of an integral bell shall be considered satisfactory if formed from pipe that meets the requirements of this specification.

6.3.4 *Laying Length Dimensions*—The laying length dimensions of well casing pipe couplings shall conform to the requirements given in Table 3, Table 4, and Table 5 when measured in accordance with Test Method D2122.

6.3.5 *Socket Concentricity or Alignment*—The maximum misalignment of axis of couplings with the pipe measured in the plane of the coupling face shall not exceed ¾ in./20 ft (3 mm/1 m) of projected axis when measured in accordance with 7.4.

6.4 *Pipe Stiffness and Flattening:*

6.4.1 *Well Casing Pipe*—The well casing pipe shall have a pipe stiffness at 5 % deflection equal to that shown in Table 6 and Table 7 and shall deflect 60 % of the original diameter (flattening) without cracking, rupture, or other visible evidence of failure when tested in accordance with Test Method D2412. Three specimens shall be tested and all shall pass.

NOTE 5—This test is intended for use as a quality control test, not as a simulated service test.

6.4.2 *Couplings and Bells* shall meet all the designated dimensional requirements of Table 3, Table 4, or Table 5. Molded couplings shall have a pipe stiffness at 5 % deflection equal to that shown in Table 6 and Table 7 and shall deflect 15 % without cracking, rupture, or other visible evidence of failure when tested in accordance with Test Method D2412. Three specimens shall be tested and all shall pass.

6.5 *Impact Resistance Classification*—The impact resistance classification (IC) value for well casing pipe shall be selected from Table 8 by the manufacturer based on the measured average impact values determined in accordance with 7.5.

6.6 *Tip Puncture Resistance*—The well casing pipe and well casing couplings shall deflect 30 % (puncture resistance) without cracking, rupture, or other visible evidence of failure when tested in accordance with 7.6 (Note 7). Three specimens shall be tested and all shall pass.

6.7 *Threads*—Well casing, screens, and couplings having threads shall have either American Standard ACME 2G screw threads, American Standard Stub ACME 2G screw threads, or Buttress screw threads, Class 2, or square form flush joint threads, in accordance with ANSI B1.5 for ACME 2G screw threads, ANSI B1.8 for Stub ACME 2G screw threads, and ANSI B1.9 for Buttress screw threads. Examples of acceptable square form flush joint thread patterns for monitoring well construction are included in the annex.

6.7.1 All ACME, Stub ACME, and Buttress screw threads shall be gaged in accordance with 7.7.

6.7.2 Machining flush joint square threads directly into the wall of the pipe may cause difficulty in measuring the thread dimensions when the pipe is removed from the threading device. The inherent out-of-round condition of the pipe will

TABLE 1 Outside Diameters and Tolerance for Thermoplastic Well Casing Pipe, in.

Nominal Pipe Size	Outside Diameter		Out-of-Roundness Maximum Diameter Minus Minimum Diameter		
	Average	Tolerance on Average	SDR41 SDR32.5 SDR26	SDR21 SDR17 SDR13.5	SCH40 and SCH80 ^A
2	2.375	±0.006	0.060	0.024	0.024
2½	2.875	±0.007	0.060	0.030	0.030
3	3.500	±0.008	0.060	0.030	0.030
3½	4.000	±0.008	0.100	0.030	0.030
4	4.500	±0.009	0.100	0.030	0.030
5	5.563	±0.010	0.100	0.060	0.060
6	6.625	±0.011	0.100	0.070	0.070
8	8.625	±0.015	0.150	0.090	0.090
10	10.750	±0.015	0.150	0.100	0.100
12	12.750	±0.015	0.150	0.120	0.120
14	14.000	±0.020	0.150	0.150	0.150
15	15.300	±0.020	0.150	0.150	
16	16.000	±0.020	0.150	0.150	0.150

^A Reference D1527 for ABS and D1785 for PVC.

TABLE 2 Minimum Wall Thickness for Thermoplastic Well Casing Pipe, in.^A

Nominal Pipe Size	SDR41	SDR32.5	SDR26	SDR21	SDR17	SDR13.5	SCH40 ^B	SCH80 ^B
	Min	Min	Min	Min	Min	Min	Min	Min
2	0.113	0.140	0.176	0.154	0.218
2½	0.137	0.169	0.213	0.203	0.276
3	0.167	0.206	0.259	0.216	0.300
3½	0.190	0.235	0.296	0.226	0.318
4	0.110	0.138	0.173	0.214	0.265	0.333	0.237	0.337
5	0.136	0.171	0.214	0.265	0.327	0.412	0.258	0.375
6	0.162	0.204	0.255	0.316	0.390	0.491	0.280	0.432
8	0.210	0.265	0.332	0.410	0.508	..	0.322	0.500
10	0.262	0.331	0.413	0.511	0.632	..	0.365	0.593
12	0.311	0.392	0.490	0.606	0.750	..	0.406	0.687
14	0.342	0.430	0.539	0.667	0.437	0.750
15	0.373	0.471
16	0.390	0.493	0.616	0.762	0.500	0.843

^A The minimum is the lowest wall thickness of the well casing pipe at any cross section.

^B Reference: **D1527** for SCH40 and 80 ABS

D1785 for SCH40 and 80 PVC

D2241 for SDR PVC

cause the thread dimensions to conform to the irregularities of the pipe. Measurements must be taken at many points and averaged. Alternatively gages of metal or other rigid material may be used when gage dimensions or methods are available.

6.7.3 Thread Out-of-Roundness—Out of roundness for threaded dimensions on Schedule 40 and Schedule 80 threads, described in the annex must conform to the “Out-of-Roundness Maximum Diameter Minus Minimum Diameter” figures found in **Table 1**.

6.7.4 Thread Eccentricity—The wall thickness eccentricity as well as the flush joint threads found in the annex shall be within 12 %.

NOTE 6—Ground water monitoring wells are usually constructed with flush joints to prevent bridging of materials placed in the well annulus during well installation. Interior surfaces are a flush finish to prevent equipment from becoming lodged at points where the inside diameter might constrict. Externally coupled pipe may be used, but the special needs of wells constructed for ground water monitoring, for example, no gravel or grout bridging, hollow stem auger inside diameter, solvent-free couplings, should be addressed.

6.8 Threaded Joints—Threaded joints including flush threaded joints made with well casing pipe and well casing couplings shall not leak. For ACME, Stub ACME, Buttress thread, and Flush Thread joints the test shall be an internal pressure of 25 psi (170 kPa) for 1 h in accordance with **7.8**.

6.9 Joint Strength—Joint tensile strength requirements will be added when test method and test results are available.

6.10 Well Screens—Screens manufactured from pipe or casing shall have uniform slots placed perpendicular to the long axis of the pipe. Slot width, length, interslot spacing, number of rows around the screen circumference and overall screen length shall comprise the product specification.

7. Test Methods

7.1 Sampling—A sample of the well casing pipe and coupling sufficient to determine conformance with this specification shall be taken at random from each lot in accordance with Section 9 of Practice **D1898**.

7.2 Conditioning—Unless otherwise specified, condition the specimens prior to test at 72.4 °F ± 3.6 °F (23 °C ± 2 °C) and

50 % ± 10 % relative humidity for not less than 40 h in accordance with Procedure A of Practice **D618**. The manufacturer may use shorter conditioning time, but in case of disagreement Procedure A of Practice **D618** shall be used.

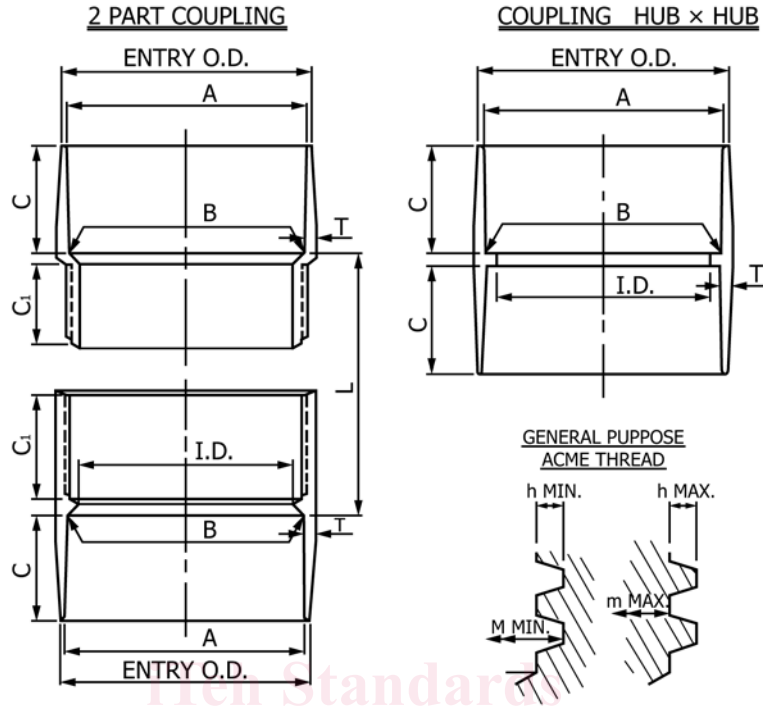
7.3 Test Conditions—Conduct tests in the standard laboratory atmosphere 73.4 °F ± 3.6 °F (23 °C ± 2 °C) and 50 ± 5 % relative humidity, unless otherwise specified in the test methods or in this specification.

7.4 Socket Concentricity or Alignment (see Practice D2855)—Select three bell socket couplings with sufficient pipe so that concentricity and alignment tests for bell socket couplings may be made. Select three well casing pipe specimens, each specimen 12 in. ± ⅛ in. (300 mm ± 3 mm) in length. Cut the ends square, free of burrs and jagged edges. Solvent cement the bell socket coupling and well casing pipe together following recommended procedures. Center the coupling onto a test mandrel that has been accurately centered on a lathe or lathe-type spindle. While the assembly is being rotated, eccentricity in the plane of the bell socket coupling face may be determined by means of a dial gage bearing radially against the bell socket coupling. The extent of the angular misalignment may be determined by means of a dial gage bearing radially against the well casing pipe approximately 1 ft (0.30 m) from the bell socket coupling face or a dial gage parallel to the axis against the bell socket coupling face. Other test methods may be used when agreed upon between the purchaser and the seller.

7.5 Impact Classification (see Test Methods D2444)—Determine the impact classification in accordance with Test Method **D2444**, using Tup B weighing 30 lb and Holder B. Select ten well casing pipe specimens of each size with each specimen 6 in. ± ⅛ in. (150 mm ± 3 mm) in length. Condition the test specimens in a low-temperature environmental chamber maintaining a test temperature of 32 °F to 35.6 °F (0.0 °C to 2.0 °C) a minimum of 2 h or in a mixture of ice and water at 32 °F to 35.6 °F for 1 h before testing and test immediately on removal. Test ten specimens in accordance with Test Method **D2444**; nine of the ten specimens shall be above the lower limit of the IC cell. Examine the results for conformance with **6.5**.

TABLE 3 Thermoplastic Water Well Casing Pipe Couplings Socket Dimensions and Laying Length Dimensions, in. (see Specification D2672)

NOTE 1—See 6.7 for thread dimensions other than ACME 2G screw threads.



S	2	2½	3	3½	4	5	6	8	10	12
A	2.386	2.887	3.514	4.015	4.517	5.584	6.648	8.649	10.796	12.778
A ₁	±0.006	±0.007	±0.008	±0.008	±0.009	±0.010	±0.011	±0.015	±0.015	±0.015
B	2.370	2.869	3.493	3.992	4.491	5.553	6.614	8.613	12.737	12.736
B ₁	±0.006	±0.007	±0.008	±0.008	±0.009	±0.010	±0.011	±0.015	±0.015	±0.015
C	1.500	1.750	2.000	2.250	2.500	3.000	3.500	4.500	5.000	6.000
C ₁	1.000	1.250	1.500	1.750	2.000	2.500	3.000	4.000	4.500	5.500
ID	2.149	2.601	3.166	3.620	4.072	5.033	5.993	7.805	9.728	11.538
T	0.113	0.137	0.167	0.190	0.214	0.265	0.316	0.410	0.511	0.606
T ₁	+0.020	+0.020	+0.020	+0.023	+0.026	+0.032	+0.038	+0.049	+0.061	+0.073
h	0.083	0.100	0.100	0.125	0.125	0.166	0.200	0.250	0.333	0.375
M	2.465	2.982	3.606	4.131	4.630	5.735	6.830	8.878	11.086	13.127
m	2.289	2.772	3.396	3.871	4.370	5.393	6.420	8.368	10.410	12.367
L	1.500	1.750	2.000	2.250	2.500	3.000	3.500	4.500	5.000	6.000
OD	2.612	3.161	3.848	4.395	4.945	6.114	7.280	9.469	11.818	13.900

- S = nominal pipe size
- A = socket entrance diameter
- A₁ = tolerance on diameter
- B = socket bottom diameter
- B₁ = tolerance on diameter
- C = socket depth
- C₁ = thread length
- ID = bore diameter
- T = minimum wall thickness
- T₁ = tolerance on wall thickness
- h = thread height—for ACME 2G screw thread (Note)
- M = major diameter of internal thread—for ACME 2G screw thread (Note)
- m = minor diameter of external thread—for ACME 2G screw thread (Note)
- L = lay length
- OD = outside diameter at entry of hub

7.6 Tup Puncture Resistance Test:

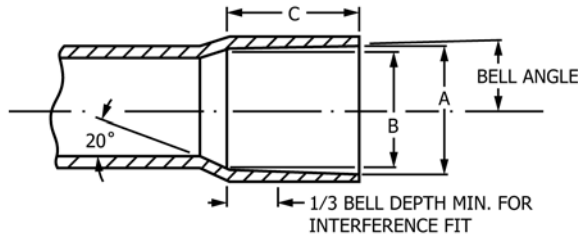
7.6.1 Procedure—Select three pipe specimens and three couplings. Determine whether the specimens are resistant to tup puncture at 30 % deflection by using the apparatus required for Test Method D2412 and Tup A as defined in Test Method

D2444. The test method uses a constant-load rate instead of an impact load. The Vee-block base has been enlarged to accommodate larger specimens as seen in Fig. 1. Machine the base so that the two sides of the Vee form an angle of 90° ± 0.01°. Mount Tup A of Test Method D2444 on a square steel plate as

TABLE 4 Metric Equivalents for Table 3, mm

S	2	2½	3	3½	4	5	6	8	10	12½
A	60.60	73.32	89.26	101.98	114.74	141.84	168.86	219.68	273.71	324.56
A ₁	±0.16	±0.18	±0.20	±0.20	±0.22	±0.26	±0.28	±0.38	±0.38	±0.38
B	60.20	72.88	88.72	101.40	114.08	141.04	168.00	218.78	272.72	323.50
B ₁	±0.16	±0.18	±0.20	±0.20	±0.22	±0.26	±0.28	±0.38	±0.38	±0.38
C	38	44	51	57	64	76	89	114	127	152
C ₁	25	32	38	44	51	64	76	102	114	140
ID	54.58	66.06	80.42	91.94	103.42	127.84	152.22	198.24	247.10	293.06
T	2.88	3.48	4.24	4.82	5.44	6.74	8.02	10.42	12.98	15.40
T ₁	+0.50	+0.50	+0.50	+0.58	+0.66	+0.82	+0.96	+1.24	+1.54	+1.86
h	2.10	2.54	2.54	3.18	3.18	4.22	5.08	6.34	8.46	9.52
M	62.62	75.74	91.60	104.92	117.60	145.66	173.48	225.50	281.58	333.42
m	58.14	70.40	86.26	98.32	111.00	136.98	163.06	212.54	264.40	314.12
L	38	44	51	57	64	76	89	114	127	152
OD	66.34	80.28	97.74	111.64	125.60	155.30	184.92	240.52	300.18	355.34

TABLE 5 Tapered Sockets for Bell-End Pipe, in.^A



Nominal Pipe Size	A Socket Entrance Diameter			B Socket Bottom Diameter			C Socket Length, min
	Diameter	Tolerance on Diameter	Max Out-of-Round	Diameter	Tolerance on Diameter	Max Out-of-Round	
2	2.386	±0.006	±0.012	2.363	±0.006	±0.012	3.000
2½	2.887	±0.007	±0.015	2.861	±0.007	±0.015	3.500
3	3.514	±0.008	±0.015	3.484	±0.008	±0.015	4.000
3½	4.015	±0.008	±0.015	3.984	±0.008	±0.015	4.500
4	4.517	±0.009	±0.015	4.482	±0.009	±0.015	5.000
4½	4.968	±0.009	±0.030	4.932	±0.009	±0.030	5.500
5	5.584	±0.010	±0.030	5.543	±0.010	±0.030	6.000
6	6.648	±0.011	±0.030	6.603	±0.011	±0.030	6.500
6¼	6.922	±0.011	±0.030	6.878	±0.011	±0.030	7.000
8	8.649	±0.015	±0.045	8.598	±0.015	±0.045	7.000
10	10.776	±0.015	±0.050	10.722	±0.015	±0.050	7.500
12	12.778	±0.015	±0.060	12.721	±0.015	±0.060	8.000
14	14.035	±0.015	±0.060	13.970	±0.015	±0.060	8.000
16	16.045	±0.015	±0.060	15.970	±0.015	±0.060	8.000

^A Minimum dimensions have zero negative tolerance. The sketches and designs of fittings are illustrative only.

TABLE 6 Minimum Pipe Stiffness at 5 % Deflection, lbf/(in.-in.) (kN/(m-m))

NOTE 1—The PS values are computed on the basis of minimum pipe wall thickness with the following material moduli: SR, 300 000 psi (2.07 GPa); ABS, 250 000 psi and 350 000 psi (1.72 GPa to 2.41 GPa); and PVC, 400 000 psi (2.76 GPa).

	SDR 13.5	SDR 17	SDR 21	SDR 26	SDR 32.5	SDR 41
SR	684 (4720)	339 (2340)	168 (1160)	84 (580)
ABS 250 000	570 (3935)	273 (1942)	140 (964)	70 (485)
ABS 350 000	798 (5510)	395 (2720)	196 (1350)	98 (677)
PVC	912 (6290)	452 (3120)	224 (1550)	112 (774)	56	28

shown in Fig. 2. Attach two Federal D01S dial gages to the square steel plate 180° apart as seen in Fig. 3 and Fig. 4. Measure the specimens to determine the point of minimum wall thickness. Place the pipe or coupling specimen of 6 in. ± ⅛ in. (150 mm ± 3 mm) in length in the universal load machine with the minimum wall of the specimen positioned directly under the nose of the tup. Place spacers between the dial gage stems and the base so that the deflection of the tup

versus load can be measured. The speed of testing shall be 0.5 in. ± 0.02 in. (12.5 mm ± 0.5 mm)/min. Continue the test until the diameter is deflected 30 % of its original diameter (puncture resistance). Examine the test results for each specimen of pipe and coupling for conformance to Section 6.

NOTE 7—The tup puncture test for point load is derived from Test Methods D2412 and D2444, combined to achieve a meaningful design parameter for well casing pipe used in water well construction. There are

TABLE 7 Minimum Pipe Stiffness for SCH 40 and SCH 80 Well Casing Pipe, PSI (kN/(m²))^A

Nominal Pipe Size, in.	SCH40	SCH80	SCH40	SCH80	SCH40	SCH80
	ABS 250 000	ABS 250 000	ABS 350 000	ABS 350 000	PVC	PVC
2	373 (2571)	1155 (7963)	543 (3743)	1680 (11582)	600 (4136)	1920 (13236)
2½	490 (3378)	1340 (9238)	630 (4343)	1960 (13512)	800 (5515)	2240 (15443)
3	318 (2192)	921 (6349)	464 (3199)	1330 (9169)	510 (3516)	1520 (10479)
3½	240 (1655)	720 (4964)	350 (2413)	1033 (7122)	400 (2758)	1180 (8135)
4	192 (1324)	593 (4088)	284 (1958)	823 (5674)	310 (2137)	940 (6480)
5	128 (882)	422 (2909)	182 (1255)	613 (4226)	208 (1434)	702 (4840)
6	96 (662)	329 (2268)	137 (944)	553 (3812)	150 (1034)	632 (4357)
8	65 (448)	260 (1792)	91 (627)	378 (2606)	100 (689)	432 (2978)
10	48 (331)	222 (1530)	68 (469)	326 (2247)	78 (538)	372 (2565)
12	49 (338)	206 (1420)	58 (400)	301 (2075)	63 (434)	344 (2372)
14	59 (407)	336 (2316)
16	59 (407)	324 (2234)

^A Reference D1527 for ABS and D1785 for PVC.

TABLE 8 Impact Classification (IC) Cell Classification (see Test Methods D2444)

Nominal Pipe Size, in.	IC-0	IC-1, m·kg(ft·lb)	IC-2, m·kg(ft·lb)	IC-3, min, m·kg(ft·lb)
2	Ns ^A	9.7–12.4(70–90)	12.4–15.2(90–110)	>15.2(110)
2½	Ns	11.0–13.8(80–100)	13.8–18.0(100–130)	>18.0(130)
3	Ns	16.6–19.4(120–140)	19.4–24.9(140–180)	>24.9(180)
3½	Ns	18.0–22.1(130–160)	22.1–27.7(160–200)	>27.7(200)
4	Ns	22.1–27.7(160–200)	27.7–33.2(200–240)	>33.2(240)
5	Ns	24.9–30.4(180–220)	30.4–36.0(220–260)	>36.0(260)
6	Ns	27.7–36.0(200–260)	36.0–41.5(260–300)	>41.5(300)
8	Ns	36.0–41.5(260–300)	>41.5(300)	>41.5(300)
10	Ns	>41.5(300)	>41.5(300)	>41.5(300)
12, 14, 16	Ns	>41.5(300)	>41.5(300)	>41.5(300)

^A Ns—Not specified.

iteh Standards
(<https://standards.iteh.ai>)

many possibilities for a point load to be exerted on the well casing pipe. Perhaps the most significant of these is the stringing of a well casing pipe through a boulder field. The sides of the well hole are seldom smooth surfaces, but rather pieces of rock are embedded in the surrounding soil layers. When these rock particles come in contact with the well casing pipe, a point loading situation can develop. Natural earth movements can impose high stresses over a small area of well casing pipe surface. This type of localized load is an entirely different situation from a uniform load.

7.7 Threads—Gage the threads using gages specified in accordance with recommended gages and gaging practice for external and internal threads as specified in the following standards:

ANSI B1.5 1973

ANSI B1.8 1973

ANSI B1.9 1973

(Not Flush Threaded)

Screw-Threads, Standards for Federal Service 1957 Part III, Handbook H28

7.7.1 Machining flush joint threads directly into the wall of the pipe may cause difficulty in measuring the thread dimensions when the pipe is removed from the threading device. The inherent out-of-round condition of the pipe will cause the thread dimensions to conform to the irregularities of the pipe. Measurements must be taken at many points and averaged. Alternatively gages of metal or other rigid material may be used when gage dimensions or methods are available. Gages should be polished and free of all lubricants when used. The male gage should be fitted with an “O” ring of the same material, durometer, and dimensions as that specified for the manufactured product.

7.8 Threaded Joints—Assemble two specimens of well casing pipe, 6 in. ± 1/8 in. (150 mm ± 3 mm), together with a male and female two-piece threaded well casing pipe coupling. Solvent cement the male and female well casing pipe coupling to each specimen of well casing pipe and allow to stand for 24 h at room temperature. Apply an approved thread lubricant, specifically intended for use with the designated plastic material, to the threads of the male and female two-piece well casing pipe coupling and assemble. Subject the specimen to an internal pressure of 25 psi (170 kPa) with water as a medium, for 1 h. Should the threads be an integral part of the casing, the assembling of the coupling to the pipe shall be omitted. Examine the well casing pipe coupling joint for leakage to determine conformance to the requirements of 6.8.

7.8.1 Flush Threaded Joints—Assemble the specimens of well casing, one threaded female and one threaded male with an “O” ring. No adhesives, solvents, or sealants may be used. Water only may be used, if necessary, to ensure a smooth closure. The joint should then be torqued to the maximum value to be specified for that joint pattern. Allow the joint to stand for 24 h at room temperature. Subject the specimen to an internal pressure of 25 psi (170 kPa) with water as a medium, for 1 h. Examine the well casing pipe joint for leakage to determine conformance to the requirements of 6.8.

8. Retest and Rejection

8.1 If the results of any test(s) do not meet the requirements of this specification, the test(s) may be conducted again in accordance with an agreement between the purchaser and the

1" × 12" × 18" 2-REQUIRED 122.4 LBS.
 3/4" × 16" × 20" 1-REQUIRED 68.0 LBS.
 3/4" TRAPEZOID SECTION 6-REQ'D. 57.4 LBS.

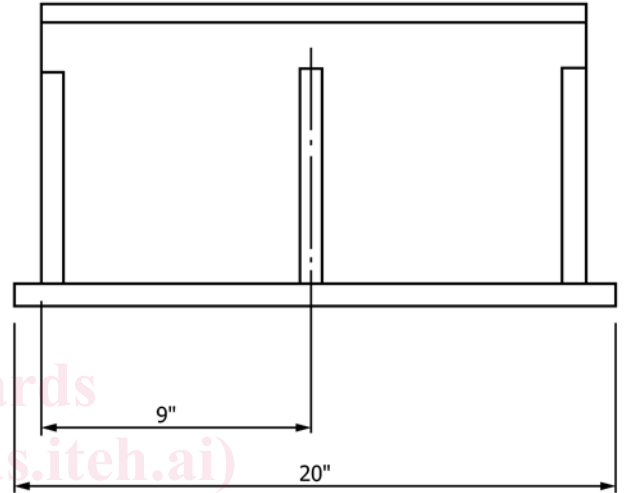
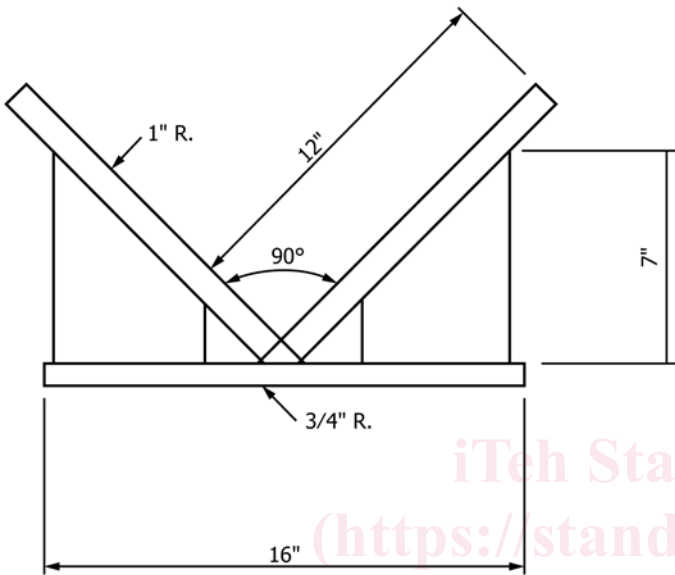
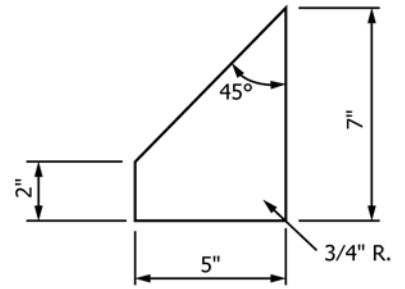


FIG. 1 V-Block Support (No Scale)
 Configuration of Tup A Impact Resistance of Thermoplastic Pipe (Test Method D2444)

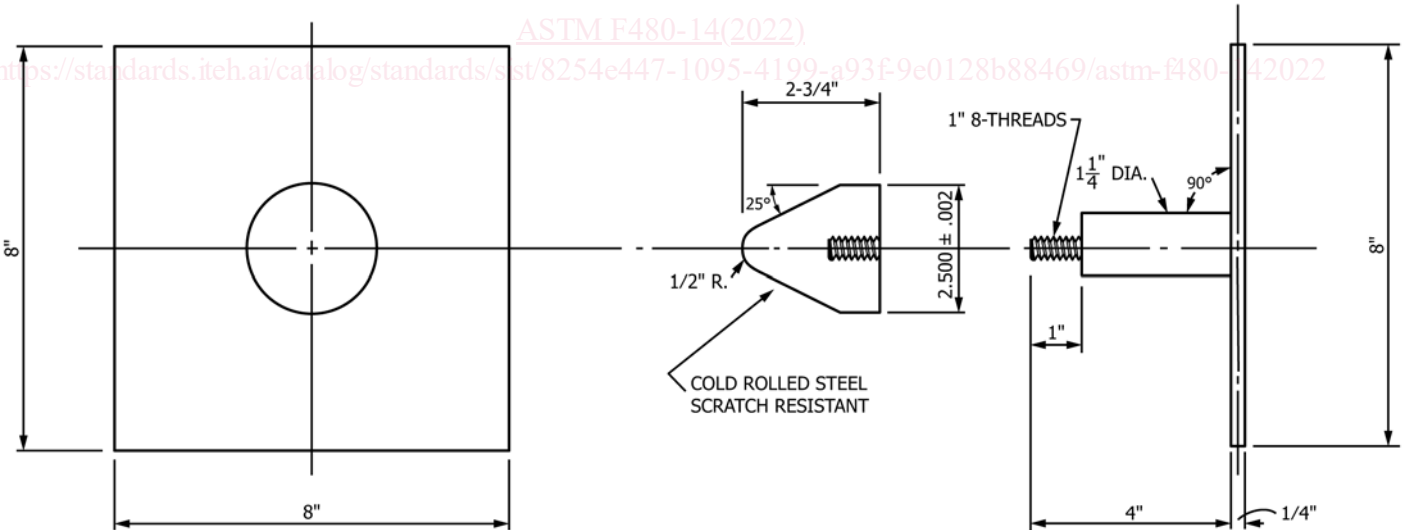


FIG. 2 Tup Test Apparatus (No Scale)

seller. In retesting, the product requirements of this specification shall be met, and the test methods designated in the specification shall be followed. If, upon retest, failure occurs, the quantity of product represented by the test(s) does not meet the requirements of this specification.

9. Product Marking

9.1 *Quality of Product Marking*—The product marking shall be applied to the pipe in such a manner that it remains legible (easily read) after installation and inspection.

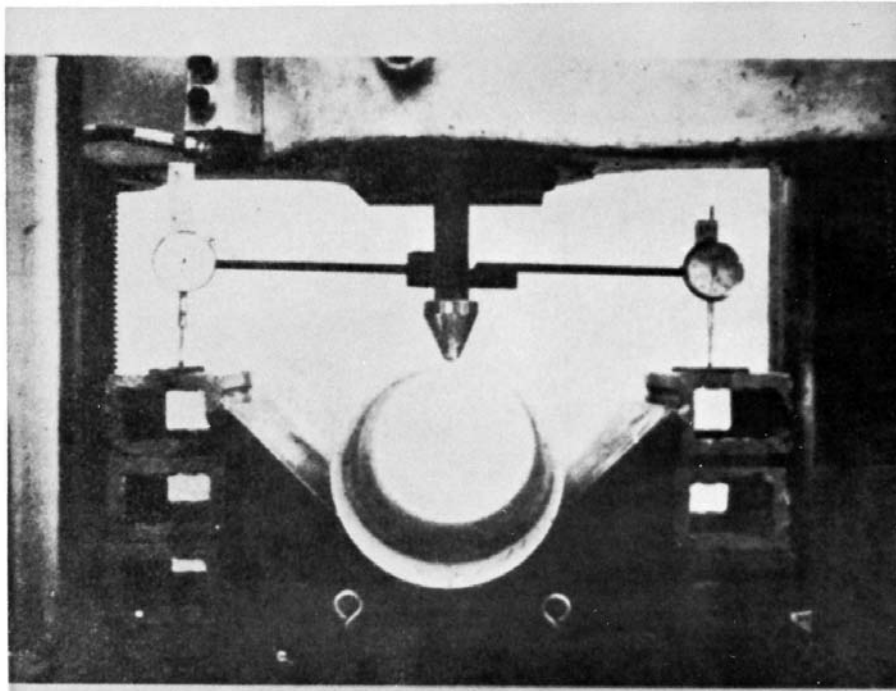


FIG. 3 Tup Test Apparatus

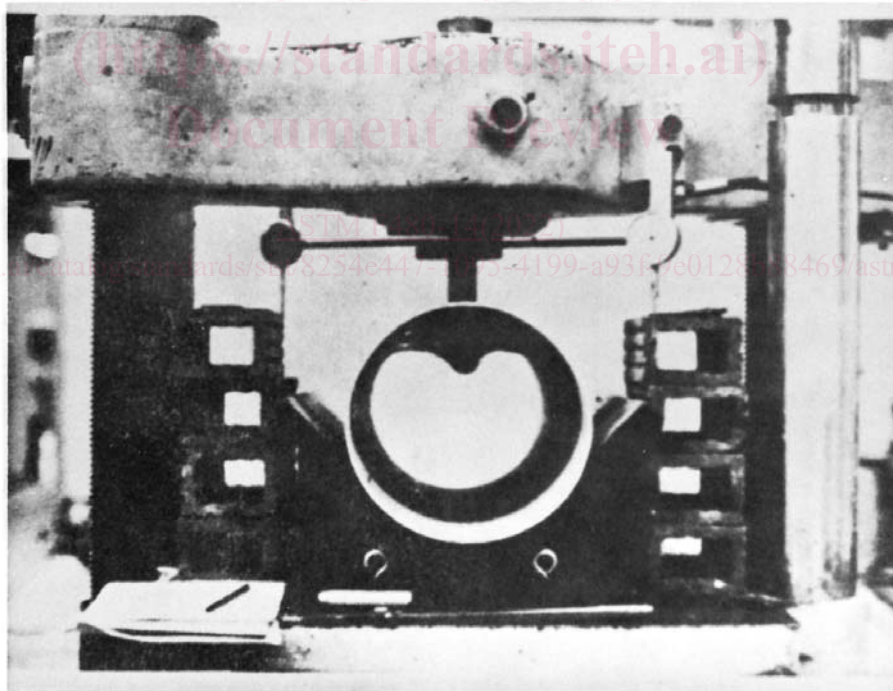


FIG. 4 Example of Specimen During Tup Test

9.2 *Content of Product Marking:*

9.2.1 *Well Casing Pipe*—The well casing pipe shall be marked at least every 5 ft (1.5 m) in letters not less than $\frac{3}{16}$ in. (5 mm) high in a contrasting color with the following information:

9.2.1.1 Nominal well casing pipe size (for example, 2 in. (50 mm)),

9.2.1.2 Well casing pipe standard dimension ratio, in accordance with designation code given in 3.2 (for example, SDR 17),

9.2.1.3 Type of plastic well casing pipe material (for example, ABS250, ABS350, PVC, or SR),

9.2.1.4 The wording—well casing—followed by the impact classification (for example, IC-3),

9.2.1.5 Designation ASTM F480, with which the well casing pipe complies,

9.2.1.6 Manufacturer's name (or trademark), and

9.2.1.7 Manufacturer's code for resin manufacture, lot number, and date of manufacture.

9.2.1.8 Well casing pipe intended for potable water shall also include the seal or mark of the laboratory making the evaluation for this purpose spaced at intervals specified by the laboratory (see Supplementary Requirements S3).

9.2.1.9 Well casing pipe intended for manufacture into screen or casing for ground water monitoring use shall not be marked with any foreign material, for example, ink, unless it can be independently proven that the marking material will not contaminate the ground water sample or affect the subsequent analysis of the water sample for pollutants.

9.3 *Well Casing Pipe Coupling*—Well casing pipe couplings shall be marked in letters not less than $\frac{3}{16}$ in. (5 mm) high, with the following information:

9.3.1 Nominal well casing pipe coupling size (for example, 2 in.),

9.3.2 Type of plastic well casing pipe coupling material (for example, ABS250, ABS350, PVC, or SR),

9.3.3 ASTM Designation F480, with which the well casing pipe coupling complies, and

9.3.4 Manufacturer's name (or trademark).

9.3.5 Well casing pipe couplings intended for potable water shall also include the seal or mark of the laboratory making the evaluation for this purpose spaced at intervals specified by the laboratory (see Supplementary Requirements S3).

10. Quality Assurance

10.1 When the product is marked with this designation, F480, the manufacturer affirms that the product was manufactured, inspected, sampled, and tested in accordance with this specification and has been found to meet the requirements of this specification.

11. Keywords

11.1 couplings; flush thread; ground water; poly(vinyl chloride); PVC; thermoplastic; well-casing; well screen

SUPPLEMENTARY REQUIREMENTS

GOVERNMENT / MILITARY PROCUREMENT

These requirements apply *only* to Federal / Military procurement, not domestic sales or transfers.

S1. *Responsibility for Inspection*—Unless otherwise specified in the contract or purchase order, the producer is responsible for the performance of all inspection and test requirements specified herein. The producer may use his own or any other suitable facilities for the performance of the inspection and test requirements specified herein, unless the purchaser disapproves. The purchaser shall have the right to perform any of the inspections and tests set forth in this specification where such inspections are deemed necessary to ensure that material conforms to prescribed requirements.

NOTE S1.1—In U.S. Federal contracts, the contractor is responsible for inspection.

S2. *Packaging and Marking for U.S. Government Procurement*:

S2.1 *Packaging*—Unless otherwise specified in the contract, the materials shall be packaged in accordance with the supplier's standard practice in a manner ensuring arrival at destination in satisfactory condition and which will be acceptable to the carrier at lowest rates. Containers and packing shall comply with Uniform Freight Classification rules or National Motor Freight Classification rules.

S2.2 *Marking*—Marking for shipment shall be in accordance with Fed. Std. No. 123 for civil agencies and MIL-STD-129 for military agencies.

NOTE S2.1—The inclusion of U.S. Government procurement requirements should not be construed as an indication that the U.S. Government uses or endorses the products described in this specification.

POTABLE WATER REQUIREMENT

This requirement applies whenever a Regulatory Authority or user calls for product to be used to convey or to be in contact with potable water.

S3. Products intended for contact with potable water shall be evaluated, tested and certified for conformance with ANSI/NSF Standard No. 61 or the health effects portion of NSF

Standard No. 14 by an acceptable certifying organization when required by the regulatory authority having jurisdiction.

ANNEXES
(Mandatory Information)
A1. PLASTIC PIPE WELL CASING SPECIALS

A1.1 To fill the needs of the water well industry, plastic pipe having a variety of sizes and wall thicknesses have been used as well casing over the past 20 years. Some of these casings were standard products, for example, Schedule 40 and 80 Iron Pipe Size (IPS) OD pipe and Plastic Irrigation Pipe (PIP) OD SDR pipe. Other products were made to special outside diameters and wall thicknesses expressly to fill the needs of various well drillers. Because the tables in this specification include only IPS-OD SDR pipe and because many of these other products have a long service history and fulfill special needs, this listing of Well Casing specials is offered in **Table A1.1** and **Table A1.2**. These well casings can be tested to verify

that they meet the quality requirements in this specification by using the minimum Pipe Stiffness (PS) values in these tables and the other quality control tests in the specification.

A1.2 Other special sizes are allowed within this specification, however the material must meet the requirements of 5. The pipe, couplings, bell-ends, or combination thereof, shall comply with the manufacturer's dimensional specifications and shall meet the calculated minimum pipe stiffness for the design/material used. For those sizes designated with an impact class, the product shall meet the requirements for the nearest sized product/material given in this specification.

TABLE A1.1 PVC Well Casing Specials Referencing Specifications, in.

Reference Standard	Nominal Size	Outside Diameter	SDR 41		SDR 32.5	
			Minimum Wall	Minimum PS	Minimum Wall	Minimum PS
ASAE	6	6.140	0.150	28	0.189	56
S376	8	8.160	0.199	28	0.251	56
and	10	10.200	0.249	28	0.314	56
SCS	12	12.240	0.299	28	0.377	56
430-DD	15	15.300	0.373	28	0.471	56

Nominal Size	Outside Diameter	Tolerance on Outside Diameter	Maximum Out-of-Roundness	Minimum Wall	Minimum PS	SDR ^A	DR ^A	Schedule ^A	Impact Class, m-kg (ft-lb)		
									IC-1	IC-2	IC-3
Miscellaneous	4½	4.950	±0.010	0.100	0.190	112	26	...	23.5–29.0 (170–210)	29.1–34.6 (211–250)	>34.6 (>250) ^B
...	4.950	±0.010	0.045	0.236	224	21	23.5–29.0 (170–210)	29.1–34.6 (211–250)	>34.6 (>250) ^B
...	4.950	±0.010	0.045	0.248	268	40	23.5–29.0 (170–210)	29.1–34.6 (211–250)	>34.6 (>250) ^B
...	4.950	±0.010	0.045	0.291	452	17	23.5–29.0 (170–210)	29.1–34.6 (211–250)	>34.6 (>250) ^B
...	5	5.563	±0.010	0.100	0.190	78	...	29	24.9–30.4 (180–220)	30.4–36.0 (220–260)	>36.0 (>260) ^B
...	6	6.625	±0.011	0.100	0.190	60	...	35	27.7–36.0 (200–260)	36.0–41.5 (260–300)	>41.5 (>300) ^B
...	6¼	6.900	±0.011	0.100	0.250	95	...	27.6	28.8–36.6 (208–265)	36.6–41.5 (265–300)	>41.5 (>300) ^B
...	6.900	±0.011	0.075	0.329	224	21	28.8–36.6 (208–265)	36.6–41.5 (265–300)	>41.5 (>300) ^B
...	6.900	±0.011	0.075	0.406	452	17	28.8–36.6 (208–265)	36.6–41.5 (265–300)	>41.5 (>300) ^B
...	7	7.000	±0.013	0.080	0.300	164	...	23	31.4–39.3 (227–284)	39.6–41.5 (268–300)	>41.5 (>300) ^B
...	15	15.300	±0.020	0.150	0.410	38	...	37	NA ^C	NA	NA
...	16	16.000	±0.020	0.150	0.429	38	...	37	NA	NA	NA

^A Dimension ratios meeting the definition given in 6.2.1 are designated SDR, others as DR or Schedule 40.

^B The test value for confirming this IC shall be at least 0.1 mg-kg (1 ft-lb) greater than the value indicated.

^C Not applicable.