



Designation: D6927 – 22

Standard Test Method for Marshall Stability and Flow of Asphalt Mixtures¹

This standard is issued under the fixed designation D6927; the number immediately following the designation indicates the year of original adoption or, in the case of revision, the year of last revision. A number in parentheses indicates the year of last reappraisal. A superscript epsilon (ϵ) indicates an editorial change since the last revision or reappraisal.

1. Scope

1.1 This test method covers measurement of resistance to plastic flow of 4 in. (102 mm) cylindrical specimens of asphalt mixture loaded in a direction perpendicular to the cylindrical axis by means of the Marshall apparatus. This test method is for use with dense-graded asphalt mixtures prepared with asphalt binder (modified and unmodified) with maximum size aggregate up to 1 in. (25 mm) in size (passing 1 in. (25 mm) sieve).

1.2 *Units*—The values stated in inch-pound units are to be regarded as standard. The values given in parentheses are mathematical conversions to SI units that are provided for information only and are not considered standard.

1.3 The text of this standard references notes and footnotes which provide explanatory material. These notes and footnotes (excluding those in tables and figures) shall not be considered as requirements of the standard.

1.4 *This standard does not purport to address all of the safety concerns, if any, associated with its use. It is the responsibility of the user of this standard to establish appropriate safety, health, and environmental practices and determine the applicability of regulatory limitations prior to use.*

1.5 *This international standard was developed in accordance with internationally recognized principles on standardization established in the Decision on Principles for the Development of International Standards, Guides and Recommendations issued by the World Trade Organization Technical Barriers to Trade (TBT) Committee.*

2. Referenced Documents

2.1 *ASTM Standards:*²

C670 Practice for Preparing Precision and Bias Statements for Test Methods for Construction Materials

¹ This test method is under the jurisdiction of ASTM Committee D04 on Road and Paving Materials and is the direct responsibility of Subcommittee D04.20 on Mechanical Tests of Asphalt Mixtures.

Current edition approved Nov. 1, 2022. Published November 2022. Originally approved in 2004. Last previous edition approved in 2015 as D6927 – 15. DOI: 10.1520/D6927-22.

² For referenced ASTM standards, visit the ASTM website, www.astm.org, or contact ASTM Customer Service at service@astm.org. For *Annual Book of ASTM Standards* volume information, refer to the standard's Document Summary page on the ASTM website.

D8 Terminology Relating to Materials for Roads and Pavements

D1188/D1188M Test Method for Bulk Specific Gravity and Density of Compacted Asphalt Mixtures Using Coated Samples

D2726/D2726M Test Method for Bulk Specific Gravity and Density of Non-Absorptive Compacted Asphalt Mixtures

D3549/D3549M Test Method for Thickness or Height of Compacted Asphalt Mixture Specimens

D3666 Specification for Minimum Requirements for Agencies Testing and Inspecting Road and Paving Materials

D6752/D6752M Test Method for Bulk Specific Gravity and Density of Compacted Asphalt Mixtures Using Automatic Vacuum Sealing Method

D6926 Practice for Preparation of Asphalt Mixture Specimens Using Marshall Apparatus

E2251 Specification for Liquid-in-Glass ASTM Thermometers with Low-Hazard Precision Liquids

3. Terminology

3.1 *Definitions*—For definitions of terms used in this test method, refer to Terminology **D8**.

4. Significance and Use

4.1 Marshall stability and flow values along with density, air voids in the total mix, voids in the mineral aggregate, or voids filled with asphalt binder, or both, filled with asphalt binder are used for laboratory mix design and evaluation of asphalt mixtures. In addition, Marshall stability and flow can be used to monitor the plant process of producing asphalt mixture. Marshall stability and flow may also be used to relatively evaluate different mixes and the effects of conditioning such as with water.

4.1.1 Marshall stability and flow are asphalt mixture characteristics determined from tests of compacted specimens of a specified geometry. The Marshall Test can be conducted with two different types of equipment: (1) Method A—using a loading frame with a load ring and a dial gauge for deformation or flow meter (Traditional Method); or (2) Method B—using a load-deformation recorder in conjunction with a load cell and linear variable differential transducer (LVDT) or other automatic recording device (Automated Method).

4.1.2 Typically, Marshall stability is the peak resistance load obtained during a constant rate of deformation loading sequence. However, depending on the composition and behavior of the mixture, a less defined type of failure has been observed, as illustrated in Fig. 1. As an alternative method, Marshall stability can also be defined as the load obtained when the rate of loading increase begins to decrease such that the curve starts to become horizontal, as shown in the bottom graph of Fig. 1. The magnitude of Marshall stability varies with aggregate type and grading and bitumen type, grade, and amount. Various agencies have criteria for Marshall stability.

4.1.3 Marshall flow is a measure of deformation (elastic plus plastic) of the asphalt mixture determined during the stability test. In both types of failure, the Marshall flow is the total sample deformation from the point where the projected tangent of the linear part of the curve intersects the *x*-axis (deformation) to the point where the curve starts to become horizontal. As shown in Fig. 1, this latter point usually corresponds to the peak stability; however, as an alternative when the failure condition is not clearly defined, it can be selected as the point on the curve which is six flow points or 0.01 in. (1.5 mm) to the right of the tangent line. There is no ideal value but there are acceptable limits. If flow at the selected optimum binder content is above the upper limit, the mix is considered too plastic or unstable and if below the lower limit, it is considered too brittle.

4.1.4 The Marshall stability and flow test results are applicable to dense-graded asphalt mixtures with maximum size aggregate up to 1 in. (25 mm) in size. For the purpose of mix design, Marshall stability and flow test results should consist of the average of a minimum of three specimens at each increment of binder content where the binder content varies in one half percent increments over a range of binder content.

binder content range is generally selected on the basis of experience and historical testing data of the component materials, but may involve trial and error to include the desirable range of mix properties. Dense-graded mixtures will generally show a peak in stability within the range of binder contents tested. Stability, flow, density, air voids, and voids filled with asphalt binder may be plotted against binder content to allow selection of an optimum binder content for the mixture. The above test properties may also be weighted differently to reflect a particular mix design philosophy. In addition, a mixture design may be required to meet minimum voids in the mineral aggregate based on nominal maximum aggregate size in the mixture.

4.1.5 Field laboratory Marshall stability and flow tests on specimens made with plant mix laboratory compacted (PMLC) asphalt mixture mix may vary significantly from laboratory design values because of differences in plant mixing versus laboratory mixing. This includes mixing efficiency and aging.

4.1.6 Significant differences in Marshall stability and flow from one set of tests to another or from an average value of several sets of data or specimens prepared from plant-produced mix may indicate poor sampling, incorrect testing technique, change of grading, change of binder content, or a malfunction in the plant process. The source of the variation should be resolved and the problem corrected.

4.1.7 Specimens will most often be prepared using Practice D6926, but may be prepared using other types of compaction procedures as long as specimens satisfy geometry requirements. Other types of compaction may cause specimens to have different stress strain characteristics than specimens prepared by Marshall impact compaction. Marshall stability and flow may also be determined using field cores from *in situ* pavement for information or evaluation. However, these results may not compare with results from lab mix lab compacted (LMLC) asphalt mixture, plant mix laboratory compacted (PMLC) asphalt mixture, or reheated plant mix lab compacted (RPMLC) asphalt mixture specimens and shall not be used for specification or acceptance purposes. One source of error in testing field cores arises when the side of the core is not smooth or perpendicular to the core faces. Such conditions can create stress concentrations in loading and low Marshall stability.

NOTE 1—The quality of the results produced by this standard are dependent on the competence of the personnel performing the procedure and the capability, calibration, and maintenance of the equipment used. Agencies that meet the criteria of Specification D3666 are generally considered capable of competent and objective testing, sampling, inspection, etc. Users of this standard are cautioned that compliance with Specification D3666 alone does not completely ensure reliable results. Reliable results depend on many factors; following the suggestions of Specification D3666 or some similar acceptable guideline provides a means of evaluating and controlling some of those factors.

5. Apparatus

5.1 *Breaking Head*—The testing head (Fig. 2) shall consist of upper and lower cylindrical segments of cast gray or ductile iron, cast steel, or annealed steel tubing. The lower segment shall be mounted on a base having two perpendicular guide rods or posts (minimum 1/2 in. (12.5 mm) in diameter) extending upwards. Guide sleeves in the upper segment shall direct the two segments together without appreciable binding

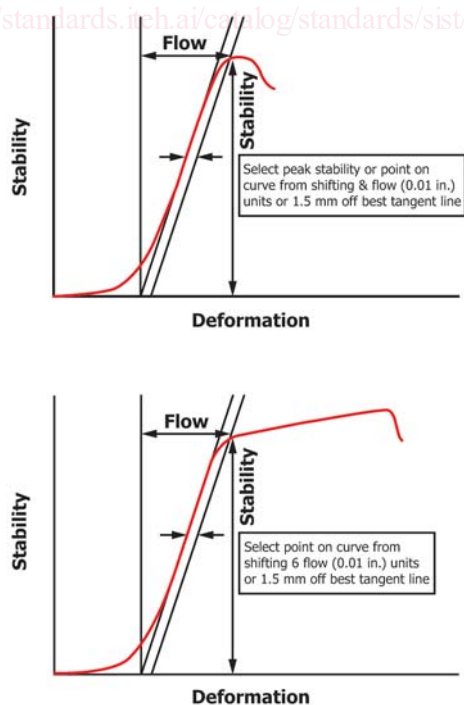
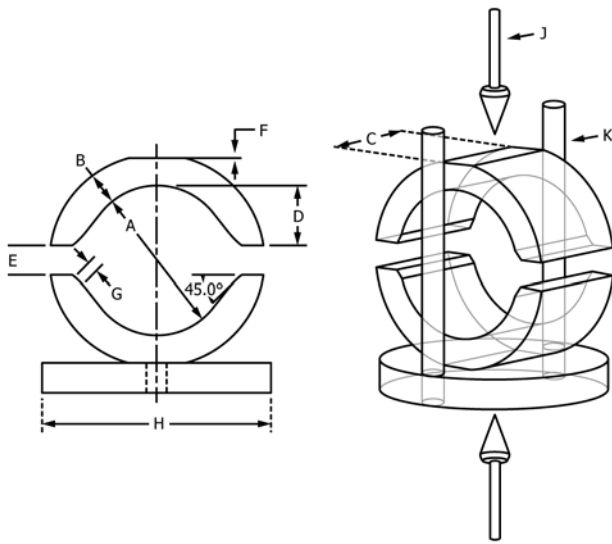


FIG. 1 Flow Determination for Two Types of Specimen Failure



	mm	in.
A	101.5 to 101.7	3.995 to 4.005
B	21.7 minimum	0.855 minimum
C	76.2 minimum	3.0 minimum
D	41.15 to 41.40	1.620 to 1.630
E	18.92 to 19.18	0.745 to 0.755
F	2.0 reference	0.08 reference
G	8.89 to 9.09	0.350 to 0.358
H	101.3 minimum	3.990 minimum
J	Forces transmitted through one spherical and one flat surface.	
K	Geometry of guide system must be appreciably free of both play and binding. One test for binding is to lift or lower head by a single guide bushing.	

FIG. 2 Testing Head Dimensions

or loose motion on the guide rods. A circular testing head with an inside bevel having dimensions other than specified in Fig. 2 has been shown to give results different from the standard testing head.

5.2 *Compression Loading Machine*—The compression loading machine (Fig. 3) may consist of a screw jack mounted in a testing frame and shall be designed to load at a uniform vertical movement of 2.00 ± 0.15 in./min (50 ± 5 mm/min). The design in Fig. 3 shows power being supplied by an electric motor. A mechanical or hydraulic compression testing machine may also be used provided the rate of loading can be maintained at 2.00 ± 0.15 in./min (50 ± 5 mm/min).

5.3 *Load Measuring Device*—As a minimum, a calibrated nominal 5000 lb (20 kN) ring dynamometer (Fig. 3) with a dial indicator to measure ring deflection for applied loads is required. The 5000 lb (20 kN) ring shall have a minimum sensitivity of 10 lb (50 N). The dial indicator should be graduated in increments of 0.0001 in. (0.0025 mm) or finer. The ring dynamometer should be attached to the testing frame (see ring holding bar, Fig. 3) and an adapter (see ring dynamometer adapter, Fig. 3) should be provided to transmit load to the breaking head. The ring dynamometer assembly may be replaced with a load cell connected to a load-deformation recorder or computer provided capacity and sensitivity meet above requirements.

NOTE 2—A higher capacity ring dynamometer may be required for high-stability mixes. These include mixes with harsh, crushed aggregate and dense gradation, as well as mixes made with very stiff binders.

5.4 *Flow Meter*—The Marshall flow meter consists of a guide sleeve and a gage (Fig. 4). The activating pin of the gage shall slide inside the guide sleeve with minimal friction and the guide sleeve shall slide freely over the guide post (see Fig. 4) of the breaking head. These points of frictional resistance shall be checked before tests. Graduations of the flow meter gage shall be increments of 0.01 in. (0.25 mm) or finer. Instead of a flow meter, other devices such as an indicator dial or linear variable differential transducer (LVDT) connected to a load-deformation recorder or computer may be used. These alternate devices should be capable of indicating or displaying flow

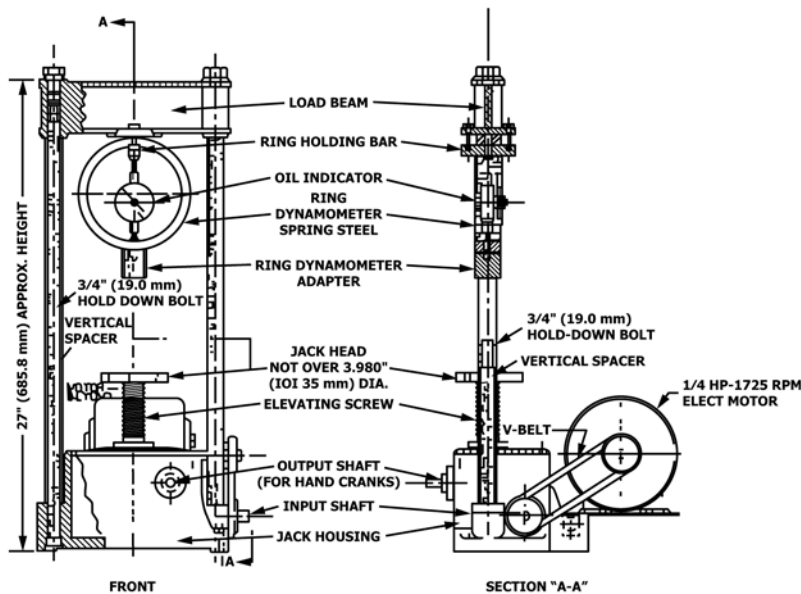


FIG. 3 Compression Machine

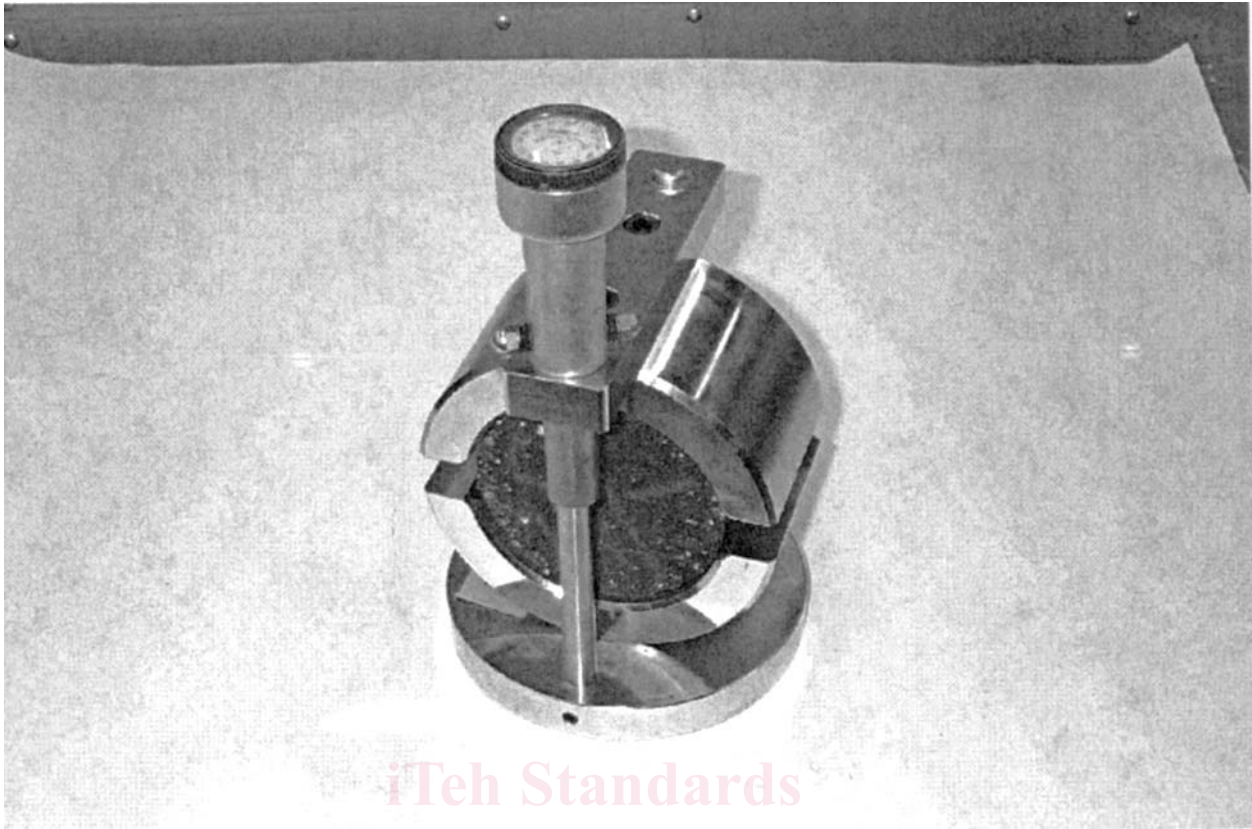


FIG. 4 Example of Flow Meter (Used in Method A)

(deformation) to the required sensitivity. These devices must be designed to measure and record the same relative movement between the top of the guide post and the upper breaking head.

5.5 *Water Bath*—The water bath shall be deep enough to maintain the water level a minimum of 1.25 in. (30 mm) above the top of specimens. The bath shall be thermostatically controlled so as to maintain the specified test temperature ± 2 °F (1 °C) at any point in the tank. The tank shall have a perforated false bottom or be equipped with a shelf for supporting specimens 2 in. (50 mm) above the bottom of the bath and be equipped with a mechanical water circulator.

5.6 *Oven*—An oven capable of maintaining the specified test temperature ± 2 °F (1 °C).

5.7 *Air Bath*—The air bath for mixtures containing cutback asphalt binder shall be thermostatically controlled and shall maintain the air temperature at 77 ± 2 °F (25 ± 1 °C).

5.8 *Calibrated Thermometers*—Calibrated liquid-in-glass thermometers of suitable range with subdivisions 0.2 °F (0.1 °C) or 0.5 °F (0.2 °C) conforming to the requirements of Specification E2251 shall be used (ASTM thermometer numbers S67F-03 or S67C-03; S65F-03 or S65C-03; S63F-03 or S63C-03; or equivalent). Alternatively, other electronic thermometer may be used, for example resistance thermometer (RTD, PRT, IPRT) of equal or better accuracy.

6. Procedure

6.1 A minimum of three specimens of a given mixture shall be tested. The specimens should have the same aggregate type,

quality, and grading; the same mineral filler type and quantity; and the same binder source, grade and amount. In addition, the specimens should have the same preparation, that is, temperatures, cooling, and compaction.

6.2 Specimens should be cooled to room temperature after compaction. During cooling they should be placed on a smooth, flat surface. Bulk specific gravity of each specimen shall be determined by Test Method D2726/D2726M, D1188/D1188M, or D6752/D6752M. The bulk specific gravities of replicate specimens for each binder content shall agree within ± 0.020 of the mean as noted in Practice D6926.

6.2.1 Measure specimen thickness according to Test Method D3549/D3549M.

6.3 Specimens can be conditioned for testing as soon as they reach ambient room temperature. Testing shall be completed within 24 h after compaction. Bring specimens to the specified temperature by immersion in the water bath 30 to 40 min, or placement in the oven for 120 to 130 min. Maintain the bath or oven temperature at 140 ± 2 °F (60 ± 1 °C).

NOTE 3—Temperature variation will affect test results. A dummy specimen with a thermocouple can be used to monitor temperature.

6.3.1 Thoroughly clean the guide rods and inside surfaces of the test head segments prior to conducting the test. Lubricate guide rods so that the upper test head segment slides freely over them. The testing head shall be at a temperature of 70 to 100 °F (20 to 40 °C). If a water bath is used, wipe excess water from the inside of the testing head segments.