



Designation: **D7568 – 17** **D7568 – 23**

Standard Specification for Polyethylene-Based Structural-Grade Plastic Lumber for Outdoor Applications¹

This standard is issued under the fixed designation D7568; the number immediately following the designation indicates the year of original adoption or, in the case of revision, the year of last revision. A number in parentheses indicates the year of last reapproval. A superscript epsilon (ϵ) indicates an editorial change since the last revision or reapproval.

1. Scope*

1.1 This specification covers a type of plastic lumber product, defined as polyethylene-based structural-grade plastic lumber (SGPL), for use as main framing members, including joists, stringers, beams, columns; and secondary framing members, including planking, posts and bracing; in outdoor structures such as decks, boardwalks, docks, and platforms.

1.2 This specification is applicable to solid, rectangular SGPL products where polyethylene resin (non cross-linked) is the continuous phase and is at least 50 % of the product (by weight).

1.3 This specification is not applicable to plastic lumber products containing cellulosic materials as additives, fillers or fiber reinforcements.

1.4 SGPL products covered by this specification shall not be used as tensile members.

1.5 SGPL products are produced using several different manufacturing processes. These processes utilize a number of polyethylene resin material systems that include varying proportions of fillers, fiber reinforcements, and other chemical additives.

1.6 Due to thermodynamic effects that result in outer-surface densification during manufacture, SGPL products are typically non-homogeneous in the cross-section. This standard does not address materials that have been modified from their original cross-section.

1.6.1 The cross-section non-homogeneity is addressed in the material property assessments in this document only for applications in which the product cross-section is not modified by cutting, notching, or drilling. For products modified in this manner, additional engineering considerations are required and they are beyond the scope of this document.

1.7 For purposes of this standard, an SGPL product is a specific combination of polyethylene resin, together with fillers, reinforcements, and additives. Each formulation is to be identified as a distinct and different product, to be tested and evaluated separately.

1.8 Diverse and multiple combinations of both virgin and recycled polyethylene material systems are permitted in the manufacture of SGPL products.

¹ This specification is under the jurisdiction of ASTM Committee [D20](#) on Plastics and is the direct responsibility of Subcommittee [D20.20](#) on Plastic Lumber. Current edition approved ~~March 1, 2017~~ [Feb. 1, 2023](#). Published ~~March 2017~~ [February 2023](#). Originally approved in 2012. Last previous edition approved in ~~2013~~ [2017](#) as D7568 – 13. DOI:10.1520/D7568-17.17. DOI:10.1520/D7568-23.

***A Summary of Changes section appears at the end of this standard**

1.9 Fiber reinforcements used in SGPL include manufactured materials such as fiberglass (chopped or continuous), carbon, aramid and other polymeric materials.

1.10 A wide variety of chemical additives are typically added to SGPL formulations. Examples include colorants, chemical foaming agents, ultraviolet stabilizers, fire retardants, lubricants, anti-static products, heat stabilizers, and coupling agents.

1.11 Diverse types and combinations of filler systems are permitted in the manufacturing of SGPL products. Fillers that cause the product to fail the requirements of 6.13 are not permitted in the manufacturing of SGPL products.

1.12 In order for a product to be classified as SGPL, it must meet the minimum stress and modulus criteria consistent with the specific product as marked, and additionally the properties specified in Section 6 of this specification.

1.13 This specification pertains to SGPL where any reinforcement is uniformly distributed within the product. When reinforcement is not uniformly distributed, the engineering issues become substantially more complex. For this reason, such products are not covered in this document.

1.14 Products that fail at strains of less than 0.02 (2 %) when tested in flexure in accordance with 6.6 are not compatible with the underlying assumptions of Annex A1 and are beyond the scope of this standard (see Note 1).

NOTE 1—Calculation of time-dependent properties in Annex A1 is based on the assumption that the product does not fail in a brittle manner. The 2 % strain limit was selected based on the judgment of the task group members that created Annex A1.

1.15 This specification addresses issues relevant to a buyer's requirements for SGPL products and has therefore been developed in the format of a procurement specification.

1.16 Criteria for design are included as part of this specification for SGPL products.

1.17 Use of SGPL members in application will typically require the design of structural connections. Connection design between SGPL members falls outside the scope of this standard.

1.18 The values are stated in inch-pound units, as these are currently the most common units used by the US construction industry. Equivalent SI units are indicated in parentheses.

1.19 *This standard does not purport to address all of the safety concerns, if any, associated with its use. It is the responsibility of the user of this standard to establish appropriate safety and health, safety, health, and environmental practices and determine the applicability of regulatory limitations prior to use.*

NOTE 2—There is no known ISO equivalent to this Standard-standard.

1.20 This international standard was developed in accordance with internationally recognized principles on standardization established in the Decision on Principles for the Development of International Standards, Guides and Recommendations issued by the World Trade Organization Technical Barriers to Trade (TBT) Committee.

2. Referenced Documents

2.1 The following documents of the issue in effect on the date of product purchase form a part of this specification to the extent referenced herein:

2.2 ASTM Standards:²

[D883 Terminology Relating to Plastics](#)

[D2344/D2344M Test Method for Short-Beam Strength of Polymer Matrix Composite Materials and Their Laminates](#)

[D2915 Practice for Sampling and Data-Analysis for Structural Wood and Wood-Based Products](#)

² For referenced ASTM standards, visit the ASTM website, www.astm.org, or contact ASTM Customer Service at service@astm.org. For *Annual Book of ASTM Standards* volume information, refer to the standard's Document Summary page on the ASTM website.

- D6108 Test Method for Compressive Properties of Plastic Lumber and Shapes
- D6109 Test Methods for Flexural Properties of Unreinforced and Reinforced Plastic Lumber and Related Products
- D6112 Test Methods for Compressive and Flexural Creep and Creep-Rupture of Plastic Lumber and Shapes
- D6341 Test Method for Determination of the Linear Coefficient of Thermal Expansion of Plastic Lumber and Plastic Lumber Shapes Between –30 and 140°F (–34.4 and 60°C)
- D6662 Specification for Polyolefin-Based Plastic Lumber Decking Boards
- D7032 Specification for Establishing Performance Ratings for Wood-Plastic Composite and Plastic Lumber Deck Boards, Stair Treads, Guards, and Handrails
- E84 Test Method for Surface Burning Characteristics of Building Materials
- E176 Terminology of Fire Standards

2.3 *Other Documents:*

ASCE 7 Minimum Design Loads for Buildings and Other Structures³

3. Terminology

~~3.1 *Definitions of Terms*—For definitions of terms used in this specification associated with plastics issues refer to the terminology contained in Terminology D883.~~

~~3.1 *Definitions: Definitions of Terms:*~~

3.1.1 For definitions of terms used in this specification associated with plastics issues refer to the terminology contained in Terminology D883. For definitions of terms used in this specification and associated with fire issues refer to the terminology contained in Terminology E176.

3.1.2 *plastic lumber, n*—a manufactured product made primarily from plastic materials (filled or unfilled), typically used as a building material for purposes similar to those of traditional lumber, which is usually rectangular in cross-section. (Terminology D883)

3.1.2.1 *Discussion*—

Plastic lumber is typically supplied in sizes similar to those of traditional lumber board, timber and dimension lumber; however the tolerances for plastic lumber and for traditional lumber are not necessarily the same. (Terminology D883)

3.1.3 *resin, n*—a solid or pseudo solid organic material often of high molecular weight, which exhibits a tendency to flow when subjected to stress, usually has a softening or melting range, and usually fractures conchoidally (Terminology D883).

3.1.3.1 *Discussion*—

In a broad sense, the term is used to designate any polymer that is a basic material for plastics.

3.1.4 *thermoplastic, n*—a plastic that repeatedly can be softened by heating and hardened by cooling through a temperature range characteristic of the plastic, and that in the softened state can be shaped by flow into articles by molding or extrusion (Terminology D883).

3.2 *Definitions of Terms Specific to This Standard:*

3.2.1 *bulge, n*—convex distortion (away from the center of the cross-section) of the face of the product from a straight line drawn from edge to edge across the width.

3.2.2 *crook, n*—distortion of the product in which there is a deviation in a direction perpendicular to the edge from a straight line from end to end along the length.

3.2.3 *cup, n*—concave distortion (towards the center of the cross-section) of the face of the product from a straight line drawn from edge to edge across the width.

3.2.4 *edge, n*—the side of a rectangular-shaped product corresponding to the thickness.

3.2.5 *face, n*—the side of a product corresponding to the width.

3.2.6 *reinforcement, n*—a material added to the thermoplastic resin to improve its mechanical properties.

³ Available from American Society of Civil Engineers (ASCE), 1801 Alexander Bell Dr., Reston, VA 20191, <http://www.asce.org>.

3.2.7 *self-supporting specimen, n*—a specimen that remains in place by its own structural characteristics both before and during a fire test.

3.2.8 *structural grade plastic lumber, n*—a solid, rectangular reinforced thermoplastic composite lumber product manufactured for load-bearing applications such as joists, beams, or columns in outdoor structures.

3.2.9 *test set, n*—a full complement of test specimens required for a specific assessment.

3.2.9.1 *Discussion*—

As an example, a test set for flexural properties (see 6.6.3) requires 28 test specimens.

3.2.10 *thickness, n*—the lesser dimension of the cross-sectional profile of a rectangular-shaped product.

3.2.11 *width, n*—the greater dimension of the cross-sectional profile of a rectangular-shaped product, or the dimension of the cross-sectional profile of a square product.

4. Ordering Information

4.1 The information contained in this specification is intended to be helpful to producers, distributors, regulatory agencies and users including designers, architects, and engineers. The information will also promote understanding between purchasers and sellers. The purchaser shall state whether this specification is to be used, select the preferred options permitted herein, and include the allowable design information in the invitation to bid and purchase order from the following:

4.1.1 Title, number and date of this specification,

4.1.2 Minimum allowable bending stress and apparent bending stiffness,

4.1.3 Percent recycled content (if requested),

4.1.4 Flame spread index,

4.1.5 Color,

4.1.6 Quantity in lineal feet,

4.1.7 Cut length,

4.1.8 Cross-sectional dimensions,

4.1.9 Packing requirements,

4.1.10 Palletization, if required,

4.1.11 Marking, if other than specified.

5. Dimensions and Permissible Variations

5.1 It is permissible to produce SGPL either in sizes that are similar to the standard dimensions of the wood industry, or to other dimensions designated by manufacturers or buyers. This specification does not limit the dimensional range of production.

5.2 Use of a licensed Professional Engineer is recommended for designing and selecting SGPL products in accordance with this specification.

5.3 *Thickness*—Unless otherwise specified in 4.1.8, product thickness tolerance shall be:

For members less than 2 in. in nominal thickness the tolerance on thickness shall be $+3/16$ / $-1/16$.

Nominal (in.)	Actual (in.)	Tolerance (in.)
2	1½	+ ³ / ₁₆ / - ¹ / ₁₆
3	2½	+ ³ / ₁₆ / - ¹ / ₁₆
4	3½	+ ³ / ₁₆ / - ³ / ₃₂
5	4½	+ ³ / ₁₆ / - ³ / ₃₂
6	5½	+ ³ / ₁₆ / - ¹ / ₈

For members greater than 6 in. in nominal thickness the tolerance on thickness shall be +³/₁₆ / -¹/₈ inch.

5.4 *Width*—Unless otherwise specified in 4.1.8, product width shall be:

For members less than 3 in. in nominal width the tolerance on width shall be +³/₁₆ / -¹/₁₆ inch.

Nominal (in.)	Actual (in.)	Tolerance(in.)
3	2½	+ ³ / ₁₆ / - ¹ / ₁₆
4	3½	+ ³ / ₁₆ / - ³ / ₃₂
6	5½	+ ³ / ₁₆ / - ³ / ₃₂
8	7¼	+ ³ / ₁₆ / - ¹ / ₈
10	9¼	+ ³ / ₁₆ / - ¹ / ₈
12	11¼	+ ¹ / ₄ / - ⁵ / ₃₂

For members greater than 12 in. in nominal width the tolerance on width shall be +¹/₄ / -⁵/₃₂ inch.

5.5 *Length*—Unless otherwise specified in 4.1.7, products up to 20 ft shall have tolerances of ±½ inch. Over 20 feet the tolerances shall be ± ½-in. per 20-ft of length or fraction thereof. Measurement of lengths shall be made at 23 ± 2°C (73.4 ± 4°F) and relative humidity of 50 ± 5 %.

5.6 *Flatness Tolerance*—Products shall be flat with a maximum cup or bulge in the face limited to the tolerances in Table 1 and Table 2. Linear interpolation of the values is acceptable for dimensions other than listed.

TABLE 1 Cup or Bulge Tolerances Relative to Nominal Width (2x)

Face Width, in.	≤4 in.	6 in.	8 in.	10 in.	12 in.
Tolerance (±)	¹ / ₁₆ in.	³ / ₃₂ in.	¹ / ₈ in.	³ / ₁₆ in.	¹ / ₄ in.

TABLE 2 Cup or Bulge Tolerances Relative to Nominal Size (square)

Size, in.	≤4 in.	6 in.	8 in.	10 in.	>12 in.
Tolerance (±)	³ / ₃₂ in.	¹ / ₈ in.	³ / ₁₆ in.	¹ / ₄ in.	¹ / ₄ in.

5.7 *Squareness*—Unless a specially shaped member is specified, the cross-section of all structural-grade plastic lumber products shall be perpendicular (that is, 90 degree angle from face to edge of a square or rectangular shape and suited for the intended purpose).

5.8 *Crook*—Crook shall conform to the tolerances in Table 3. Linear interpolation of the values is acceptable for dimensions other than listed.

6. Performance Requirements

6.1 Load Combinations: Plastic members subject to multiple load types shall be checked for all applicable load combinations. Load factors and load reductions shall be determined in accordance with the applicable code or ASCE 7. All applicable load combinations shall be evaluated to determine the critical load combination to be used in design.

NOTE 3—Application of load duration factors to load combinations in which each load has a different associated duration is a complex process and varies

TABLE 3 Crook Tolerances Relative to Nominal Length and Width

Length in Feet	≤4 in.	6 in.	8 in.	10 in.	12 in.
	Width	Width	Width	Width	Width
4-6	³ / ₈ in.	¹ / ₄ in.	³ / ₁₆ in.	³ / ₁₆ in.	³ / ₁₆ in.
8	¹ / ₂ in.	¹ / ₂ in.	³ / ₈ in.	³ / ₈ in.	³ / ₈ in.
10	³ / ₄ in.	⁵ / ₈ in.	¹ / ₂ in.	¹ / ₂ in.	¹ / ₂ in.
12	1 in.	⁷ / ₈ in.	¹³ / ₁₆ in.	¹³ / ₁₆ in.	¹³ / ₁₆ in.
14	1-¼ in.	1-½ in.	1 in.	1 in.	1 in.
16	1-½ in.	1-¾ in.	1-½ in.	1-½ in.	1-½ in.

depending on whether the design engineer is using allowable stress design (ASD) or load and resistance factor design (LRFD) methodology. A conservative design approach applies the load duration factor equal to the longest duration in the applicable load combination. More refined approaches for specific applications can be found in the technical literature.

6.2 *Design Properties:*

6.2.1 All members shall be designed such that for all load combinations:

$$f_a \leq F_n' \times C_D \quad (1)$$

where:

f_a = total applied stress in each combination (psi)

F_n' = allowable stress as calculated in 6.6.3.2, 6.7.2, 6.8.2.1, 6.8.3.1, or 6.9.3.2 (psi)

C_D = Load Duration Factor for the material and considered load duration. Derivation of C_D is explained in Annex A2.

6.3 *Interpolation of Properties:*

6.3.1 Interpolation of mechanical properties of a SGPL product from test data from the same product at other width dimensions is permitted if the test results verify a logical progression of properties and the following conditions are met:

6.3.1.1 All specimens have the same thickness and material composition.

6.3.1.2 Three or more test sets are performed on specimens with varying width.

6.3.1.3 At least one test set is performed on specimens with a width greater than that of the product whose properties are being interpolated.

6.3.1.4 At least one test set is performed on specimens with a width less than that of the product whose properties are being interpolated.

6.4 *Creep Rupture:*

6.4.1 Creep Rupture tests shall be performed for the intended use (that is, flexural test for a flexural member, compression test for a compression member) in accordance with the procedures outlined in Test Methods D6112.

6.4.2 F_{cr} shall be the stress required to cause creep rupture in ten years determined from the creep rupture curve calculated in Test Methods D6112.

6.4.3 E_{cr} shall be the effective ten-year modulus determined from the creep rupture curve calculated in Test Methods D6112.

6.4.4 The combined effect of time (that is, creep rupture) and temperature determined by Test Methods D6112 shall be compared against the product of C_{TF} and β . The more conservative result shall form the basis of design.

6.5 *Serviceability:*

6.5.1 Deflection shall be calculated using the apparent modulus of elasticity determined in 6.6.3.3. Calculated deflection shall not exceed applicable code or project specific deflection limits.

6.5.2 The maximum ten-year strain in any member shall not exceed 0.03 (3 %).

NOTE 4—It is possible that some applicable codes or project specific requirements will require deflection limits that result in a maximum strain of less than 0.03.

6.6 *Flexural Members:*

6.6.1 The test procedure shall be in accordance with Test Methods D6109 with the following modifications:

6.6.1.1 The specimens for flexural members shall be tested in the joist configuration (Method B in Test Methods **D6109**) unless it is shown that the minimum properties in the plank configuration also hold for the joists and that there is no size effect for the product.

6.6.2 *SGPL Requirements*—SGPL shall meet or exceed the following criteria:

6.6.2.1 The mean value of the secant flexural modulus minus one standard deviation of the value at 1 % outer fiber strain shall equal or exceed 200,000 psi at $23 \pm 2^\circ\text{C}$ ($73.4 \pm 4^\circ\text{F}$) and $50 \pm 10\%$ RH.

6.6.2.2 The mean, minus two standard deviations, value of the flexural stress F_{bt} at 3 % outer fiber strain shall equal or exceed 2,000 psi at $23 \pm 2^\circ\text{C}$ ($73.4 \pm 4^\circ\text{F}$). If any SGPL product fails prior to reaching 3 % strain, then the mean, minus two standard deviations, of the flexural stress at failure for that product shall equal or exceed 2,000 psi.

NOTE 5—The typical mode of failure for SGPL members results from flexure by excessive strain rather than by rupture. Thus, the requirement in the standard flexural test is to define the failure stress as the stress at 3 % strain, if rupture has not occurred before that point.

6.6.3 *Allowable Flexural Properties:*

6.6.3.1 *Specimens Tested*—A minimum of 28 specimens shall be tested at $23 \pm 2^\circ\text{C}$ ($73.4 \pm 4^\circ\text{F}$). Specimens selected for testing shall be representative of typical production and shall be selected to include sources of potential variability.

6.6.3.2 *Allowable Flexural Stress*—The allowable flexural stress, F_b' , of a product is given as follows (see temperature tolerances in **6.6.3.1**):

$$F_b' = (F_b/FS) * C_{TF} * C_L \quad (2)$$

where:

F_b = the base flexural stress value at 23°C (73.4°F) for normal duration loading (10 yr. duration), (psi), which is defined as follows:

$$F_b = F_{bt} * \beta \leq F_{cr} \quad (3)$$

where:

F_{bt} = the non-parametric 5 % lower tolerance limit at 75 % confidence of the flexural stress at 3 % outer fiber strain (or failure if 3 % strain cannot be reached) determined from flexure tests conducted in accordance with Section **6.6.1** (psi). Statistical calculations shall be in accordance with Practice **D2915**. F_{bt} shall meet the requirements of **6.6.2**

F_{cr} = ultimate creep rupture stress for flexure calculated in accordance with **6.4**, (psi)

β = Stress-time factor to convert the test value, F_{bt} , to a ten-year normal duration value. This value shall be determined in accordance with **Annex A1**.

FS = factor of safety = 2.5,

C_{TF} = temperature factor for flexure determined in accordance with **Annex A3**

C_L = beam stability factor determined using principles of engineering mechanics.

NOTE 6—Discussion of beam stability is provided in **X1.2**.

6.6.3.3 *Apparent Modulus of Elasticity and Adjustment for Creep*—The apparent modulus of elasticity, E' , shall be determined as follows:

$$E' = E * C_{TE} / \alpha \leq E_{cr} \quad (4)$$

where:

E = modulus as determined from Test Methods **D6109**, except that it represents the chord modulus values between 0.1 F_{bt} and 0.4 F_{bt} , (psi)

E_{cr} = the effective ten-year stiffness determined in accordance with **6.4**, (psi)

C_{TE} = temperature factor for modulus determined in accordance with **Annex A3**

α = creep adjustment factor determined in accordance with **Annex A1**.

NOTE 7—An example problem for the case of uniform loading on a single span joist is described in **Appendix X4**.

6.6.3.4 For uniform loading at an average ambient temperature of 90°F the maximum total deflection of the structural-grade plastic lumber product including the effect of creep shall not exceed $L/180$ or as otherwise specified by the applicable code.

6.7 Shear Properties:

6.7.1 *Test Procedure*—Test Method **D2344/D2344M** incorporating the following criteria and modifications:

6.7.1.1 *Specimen Size for Testing*—Specimens for test shall not be machined to reduce the cross-sectional thickness—only full-size cross sections shall be used. Also, in accordance with subsection 5.3 of Test Method **D2344/D2344M**, span length-to-specimen thickness ratio of 4 shall be used for the specimen size.

6.7.1.2 *Specimens Tested*—A minimum of 28 specimens shall be tested. Specimens selected for testing shall be representative of typical production and shall be selected to include sources of potential variability.

6.7.1.3 An extension indicator shall be affixed to the specimen to record the displacement (strain) of the specimen below the upper loading nose as a function of applied stress. The recorded stress-strain data shall also be reported.

6.7.1.4 Use the short beam stress, F_{sbs} , as calculated in Equation (1) of Test Method **D2344/D2344M** as the shear stress value F_v in Equation (9) below.

6.7.2 *Allowable Shear Stress*—The allowable shear stress of a product is given as follows:

$$F_v' = (F_v/FS) * C_{TF} \quad (5)$$

where:

F_v = the base shear stress value at 23°C (73.4°F) for normal duration loading (10-year duration), (psi) defined below,

FS = factor of safety = 2.5,

C_{TF} = temperature factor for flexure, determined in accordance with Annex A3

F_v , the base shear stress value for the product is determined as follows:

$$F_v = F_{vt} * \beta \leq F_{cr} \quad (6)$$

where: <https://standards.iteh.ai/catalog/standards/sist/ab140e3b-3568-4523-b10a-3647a8951018/astm-d7568-23>

F_{vt} = the non-parametric 5 % lower tolerance limit at 75 % confidence of the shear stress at 3 % fiber strain (or failure if 3 % strain cannot be reached) determined from shear tests conducted in accordance with 6.7.1 (psi). Statistical calculations shall be in accordance with Practice **D2915**.

F_{cr} = ultimate creep rupture stress for shear calculated in accordance with 6.4, (psi)

β = stress-time factor to convert the test value, F_v , to a ten year normal duration value. This value shall be determined in accordance with **Annex A1**.

6.8 Bearing:

6.8.1 Tests shall be performed in accordance with Test Method **D6108** with the following modifications:

6.8.1.1 *Specimens Tested*—A minimum of 28 specimens shall be tested at $23 \pm 2^\circ\text{C}$ ($73.4 \pm 4^\circ\text{F}$). Specimens selected for testing shall be representative of typical production and shall be selected to include sources of potential variability.

6.8.1.2 *Bearing Perpendicular to the Direction of Extrusion:*

(1) *Test Method D6108, Subsection 6.2:* The standard test specimen shall take the form of the actual manufactured product cross-section with a length equal to half its width.

(2) *Test Method D6108, Subsection 10.2:* Place the test specimen between the surfaces of the compression platens, taking care to align the center line of the surface perpendicular to the extrusion with the center line of the platens to ensure that the ends of the specimen are parallel with the surface of the platens. The proper positioning of a member with dimensions $b \times d$ is shown in **Fig. 1**. Adjust the crosshead of the testing machine until it just contacts the top of the compression platen.

6.8.1.3 *Bearing Parallel to the Direction of Extrusion:*

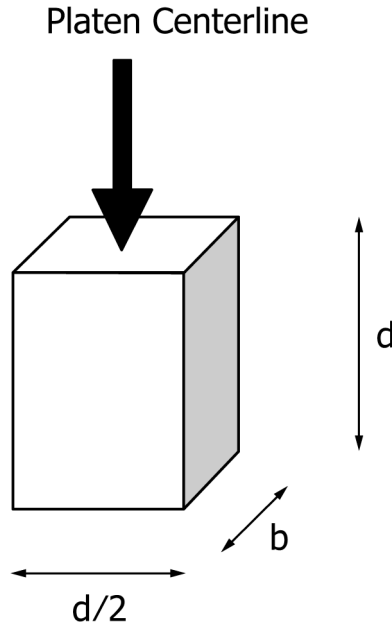


FIG. 1 Bearing Perpendicular to the Direction of Extrusion Platen Centerline

(1) *Test Method D6108, Subsection 6.2:* The standard test specimen shall take the form of the actual manufactured product cross-section with a width equal to twice its length.

(2) *Test Method D6108, Subsection 10.2:* Place the test specimen between the surfaces of the compression platens, taking care to align the center line of the surface parallel to the extrusion with the center line of the platens to ensure that the ends of the specimen are parallel with the surface of the platens. The proper positioning of a member with dimensions $b \times d$ is shown in Fig. 2. Adjust the crosshead of the testing machine until it just contacts the top of the compression platen.

6.8.2 *Bearing Perpendicular to Extrusion:*

6.8.2.1 *Allowable Bearing Stress*—The allowable bearing stress, $F_{C\perp}$, of a product loaded in compression perpendicular to the extrusion direction is given as follows (see temperature tolerances in 6.8.1.1):

$$F_{C\perp} = (F_{C\perp}/FS) * C_{TC} \quad (7)$$

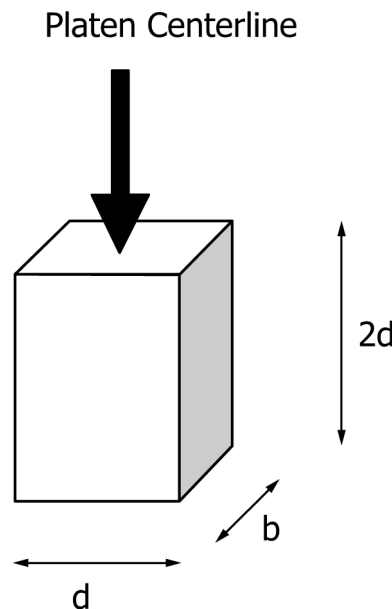


FIG. 2 Bearing Parallel to the Direction of Extrusion Platen Centerline

- $F_{C\perp}$ = the base bearing stress value at 23°C (73.4°F), (psi) defined below,
 FS = factor of safety = 2.5,
 C_{TC} = temperature factor for compression, determined in accordance with **Annex A3**,

$F_{C\perp}$, the base bearing stress value for the product is determined as follows:

$$F_{C\perp} = F_{C\perp} * \beta \leq F_{cr} \quad (8)$$

where:

- $F_{C\perp}$ = the non-parametric 5 % lower tolerance limit at 75 % confidence of the bearing stress perpendicular to the extrusion direction at 3 % fiber strain (or failure if 3 % strain cannot be reached) determined from bearing tests conducted in accordance with **6.8.1** (psi). Statistical calculations shall be in accordance with Practice **D2915**.
 F_{cr} = the ultimate creep rupture stress for bearing perpendicular to the direction of extrusion calculated in accordance with **6.4**, (psi)
 β = stress-time factor to convert the test value, $F_{C\perp}$, to a ten year normal duration value. This value shall be determined in accordance with **Annex A1**.

6.8.3 Bearing Parallel to Extrusion:

6.8.3.1 *Allowable Bearing Stress*—The allowable bearing stress, $F_{C\parallel}$, of a product loaded in compression parallel to the extrusion direction is given as follows:

$$F_{C\parallel} = (F_{C\parallel} / FS) * C_{TC} \quad (9)$$

where:

- $F_{C\parallel}$ = the base bearing stress value at 23°C (73.4°F), (psi) defined below
 FS = factor of safety = 2.5,
 C_{TC} = temperature factor for compression, determined in accordance with **Annex A3**,

$F_{C\parallel}$, the base bearing stress value for the product is determined as follows:

$$F_{C\parallel} = F_{C\parallel} * \beta \leq F_{cr} \quad (10)$$

where:

- ~~$F_{C\parallel}$ = the nonparametric 5 % lower tolerance limit at 75 % confidence of the bearing stress parallel to the extrusion direction at 3 % fiber strain (or failure if 3 % strain cannot be reached) determined from bearing tests conducted in accordance with **6.8.1** (psi). Statistical calculations shall be in accordance with Practice **D2915**.~~
 ~~$F_{C\parallel}$ = the nonparametric 5 % lower tolerance limit at 75 % confidence of the bearing stress parallel to the extrusion direction at 3 % fiber strain (or failure if 3 % strain cannot be reached) determined from bearing tests conducted in accordance with **6.8.1** (psi). Statistical calculations shall be in accordance with Practice **D2915**.~~
 F_{cr} = ultimate creep rupture stress for compression parallel to the direction of extrusion calculated in accordance with **6.4**, (psi)
 β = stress-time factor to convert the test value, $F_{C\parallel}$, to a ten year normal duration value. This value shall be determined in accordance with **Annex A1**.

6.9 Compression Members:

6.9.1 Test Procedure—Test Method **D6108**.

6.9.1.1 *Specimens Tested*—A minimum of 28 specimens shall be tested at $23 \pm 2^\circ\text{C}$ ($73.4 \pm 4^\circ\text{F}$). Specimens selected for testing shall be representative of typical production and shall be selected to include sources of potential variability.

6.9.2 SGPL Requirements—SGPL shall meet or exceed the following criteria:

6.9.2.1 The mean minus one standard deviation value of the secant compression modulus at 1 % strain shall equal or exceed 120,000 psi at $23 \pm 2^\circ\text{C}$ ($73.4 \pm 4^\circ\text{F}$) and $50 \pm 10\%$ RH.

6.9.2.2 The mean, minus two standard deviations, value of the compressive stress F_{ct} at 3 % strain shall equal or exceed 1,500 psi at $23 \pm 2^\circ\text{C}$ ($73.4 \pm 4^\circ\text{F}$) and $50 \pm 10\%$ RH. If any SGPL product fails prior to reaching 3 % strain, then the mean, minus two standard deviations, of the stress at failure for that product shall equal or exceed 1,500 psi.

NOTE 8—Often the compression modulus and stress values of SGPL are significantly lower than the flexural modulus and stress values.

6.9.3 *Design of Compression Members:*

6.9.3.1 SGPL compression members shall meet the following slenderness ratio limitation:

$$S_r = K L_u / r < 28 \quad (11)$$

where:

S_r = slenderness ratio,

K = buckling length coefficient (greater than or equal to 1.0) that depends on the end constraint for the column.

L_u = unbraced length of the member, (in.)

r = radius of gyration (in.)

The above slenderness ratio shall be checked for both principle bending axes of the member.

NOTE 9—This slenderness ratio limitation has been used by SGPL manufacturers in the past. Due to the broad range of products covered by this standard, designers are cautioned to check all compression members for potential buckling using the properties of the product being used. Discussion of column stability is provided in Appendix X1.2. Specific discussion of column slenderness ratio is provided in X1.2.7.4

6.9.3.2 The allowable compressive stress, F_c' , of a product is given as follows:

$$F_c' = (F_c / FS) * C_{TC} * C_p \quad (12)$$

where:

F_c = the base compressive stress value at 23°C (73.4°F) for normal duration loading (10 yr. duration), (psi) as defined below,

$$F_c = \beta * F_{ct} \leq F_{cr} \quad (13)$$

where:

F_{ct} = the non-parametric 5 % lower tolerance limit at 75 % confidence of the compressive stress at 3 % fiber strain determined from compression tests conducted in accordance with 6.9.1 (psi). Statistical calculations shall be in accordance with Practice D2915. F_{bc} shall meet the requirements of 6.9.2.

F_{cr} = ultimate creep rupture stress for compression calculated in accordance with 6.4, (psi)

β = stress-time factor to convert the test value, F_{ct} , to a ten year normal duration value. This value shall be determined in accordance with Annex A1,

FS = factor of safety = 2.5,

C_{TC} = temperature factor for compression, determined in accordance with Annex A3,

C_p = column stability factor determined using principles of engineering mechanics

NOTE 10—Discussion of column stability is provided in X1.2.

6.10 *Combined Stresses:*

6.10.1 *Bending and Compression*—Plastic members subject to both axial compression and flexure shall be proportioned using principles of engineering mechanics.

NOTE 11—Discussion of combined stresses is provided in X1.2.

6.10.2 Structures expected to experience significant side sway shall not be used unless appropriate engineering procedures or tests are employed in the design of such members to ensure that all applied loads will be safely carried by the members.

6.11 *Dimensional Stability—Thermal Expansion:*

6.11.1 The value of the coefficient of thermal expansion shall be calculated in accordance with the test procedure outlined in Test Method [D6341](#) with the following modifications:

6.11.1.1 *Specimens Tested*—A minimum of 15 specimens shall be tested to establish an average value. Report the measured coefficient of thermal expansion in the longitudinal or the transverse direction to two significant figures for use in design calculations.

6.11.2 Thermal expansion shall be considered for the design of expansion slots or any other case where movement due to thermal effects will cause structural or serviceability concerns. Specimens selected for testing shall be representative of typical production and shall be selected to include sources of potential variability.

6.12 *Weatherability:*

6.12.1 SGPL products that are exposed to solar radiation shall meet the requirements of subsection 6.3.2 of Specification [D6662](#).

NOTE 12—The testing requirements of subsection 6.3 of Specification [D6662](#) can only identify products with the potential to deteriorate in less than two years under outdoor conditions. However, the results from testing of plastic lumber decking boards after eleven years of outdoor exposure have shown that the boards had discolored and faded, but that both strength and stiffness were basically unchanged. Similar results are expected with SGPL. Further details of this testing and results are given in Appendix X3 in Specification [D6662](#)

6.13 *Hygrothermal Cycling:*

6.13.1 *Test Procedure*—Specimens shall also be prepared as described in Test Methods [D6109](#). Each specimen shall then be weighed to the nearest 0.00022 lb (0.1 g). Specimens shall then be totally submerged underwater (using weights to hold down, if necessary) for a period of 24 hours. After removal from water, each specimen shall then be dried with a dry cloth on the outside surfaces and weighed again within 20 minutes. The specimens shall then be frozen to $-20 (\pm 5)^{\circ}\text{F}$ ($-29 (\pm 2)^{\circ}\text{C}$) for 24 hours, then returned to room temperature. The above process completes one hygrothermal cycle.

6.13.2 The procedure in [6.13.1](#) shall be repeated two more times, for a total of three cycles of water submersion, moisture absorption equilibrium, and freezing. After completion of these steps, the specimens shall be returned to room temperature and tested as described in Test Methods [D6109](#).

6.13.3 *Specimens Tested*—A minimum of 15 specimens shall be prepared in accordance with Test Methods [D6109](#) and tested. Specimens selected for testing shall be representative of typical production and shall be selected to include sources of potential variability.

6.13.4 *Criteria*—Any obvious physical changes that occur as a result of the hygrothermal cycling shall be noted. The flexural modulus and the greater of the stress level at 3% strain or the stress at fracture as defined in Test Methods [D6109](#) shall retain 90 % of the mean value when tested without hygrothermal cycling in accordance with [6.6.3.2](#).

6.14 *Flame Spread Index:*

6.14.1 The flame spread index of SGPL products shall be determined by testing in accordance with Test Method [E84](#).

6.14.2 A minimum of five test specimens shall be tested.

6.14.3 The test specimens shall either be self-supporting by their own structural characteristics or held in place by added supports along the test specimen surface. The test specimen shall remain in place throughout the test duration. Test results are invalid if one of the following occurs during the test: (a) the test specimen sags from its position in the ceiling to such an extent that it interferes with the effect of the gas flame on the test specimen or (b) portions of the test specimen melt or drop to the furnace floor to the extent that progression of the flame front on the test specimen is inhibited.

6.14.4 Appendix X1 of Test Method [E84](#) provides guidance on mounting methods.

6.14.5 Products shall have a flame spread index no greater than 200 when tested in accordance with Test Method [E84](#).