

---

# INTERNATIONAL STANDARD



# 5483

---

INTERNATIONAL ORGANIZATION FOR STANDARDIZATION • МЕЖДУНАРОДНАЯ ОРГАНИЗАЦИЯ ПО СТАНДАРТИЗАЦИИ • ORGANISATION INTERNATIONALE DE NORMALISATION

---

## Shipbuilding — Oil and water drain screws

*Construction navale — Bouchon de vidange de mazout et d'eau*

First edition — 1977-07-01

**ITeH STANDARD PREVIEW**  
**(standards.iteh.ai)**

[ISO 5483:1977](https://standards.iteh.ai/catalog/standards/sist/08d5ace6-357b-482c-84aa-706ecd6cd929/iso-5483-1977)

<https://standards.iteh.ai/catalog/standards/sist/08d5ace6-357b-482c-84aa-706ecd6cd929/iso-5483-1977>

---

UDC 629.12.011.524/.525 : 621.6.057

Ref. No. ISO 5483-1977 (E)

**Descriptors** : shipbuilding, bunkers, emptying devices, drain plugs, specifications, dimensions.

## FOREWORD

ISO (the International Organization for Standardization) is a worldwide federation of national standards institutes (ISO member bodies). The work of developing International Standards is carried out through ISO technical committees. Every member body interested in a subject for which a technical committee has been set up has the right to be represented on that committee. International organizations, governmental and non-governmental, in liaison with ISO, also take part in the work.

Draft International Standards adopted by the technical committees are circulated to the member bodies for approval before their acceptance as International Standards by the ISO Council.

International Standard ISO 5483 was developed by Technical Committee ISO/TC 8, *Shipbuilding*, and was circulated to the member bodies in March 1976.

It has been approved by the member bodies of the following countries :

Belgium	India	Romania
Bulgaria	Ireland	Spain
Czechoslovakia	Italy	Sweden
Denmark	Japan	Turkey
Finland	Norway	United Kingdom
Germany	Philippines	Yugoslavia

[ISO 5483:1977](#)

<https://standards.iteh.ai/catalog/standards/sist/08d5ace6-357b-482c-84aa-706ecd4c929/iso-5483-1977>

The member bodies of the following countries expressed disapproval of the document on technical grounds :

Australia  
Brazil  
France  
Netherlands  
Poland

# Shipbuilding – Oil and water drain screws

## iTeh STANDARD PREVIEW (standards.iteh.ai)

### 1 SCOPE AND FIELD OF APPLICATION

This International Standard specifies basic dimensions and materials for drain screws situated at the bottom of oil and water tanks. The design of the tank bottom ring is not included in this International Standard.

### 2 REFERENCES

- ISO 68, *ISO general purpose screw threads – Basic profile.*
- ISO 261, *ISO general purpose metric screw threads – General plan.*
- ISO/R 286, *ISO system for limits and fits – Part 1 : General, tolerances and deviations.*
- ISO 428, *Wrought copper-aluminium alloys – Chemical composition and forms of wrought products.*
- ISO 683/XIII, *Heat-treated steels, alloy steels and free-cutting steels – Part 13 : Wrought stainless steels.*
- ISO 965, *ISO general purpose metric screw threads – Tolerances*

### 3 DIMENSIONS

The drain screw shall conform to the details of the figure.

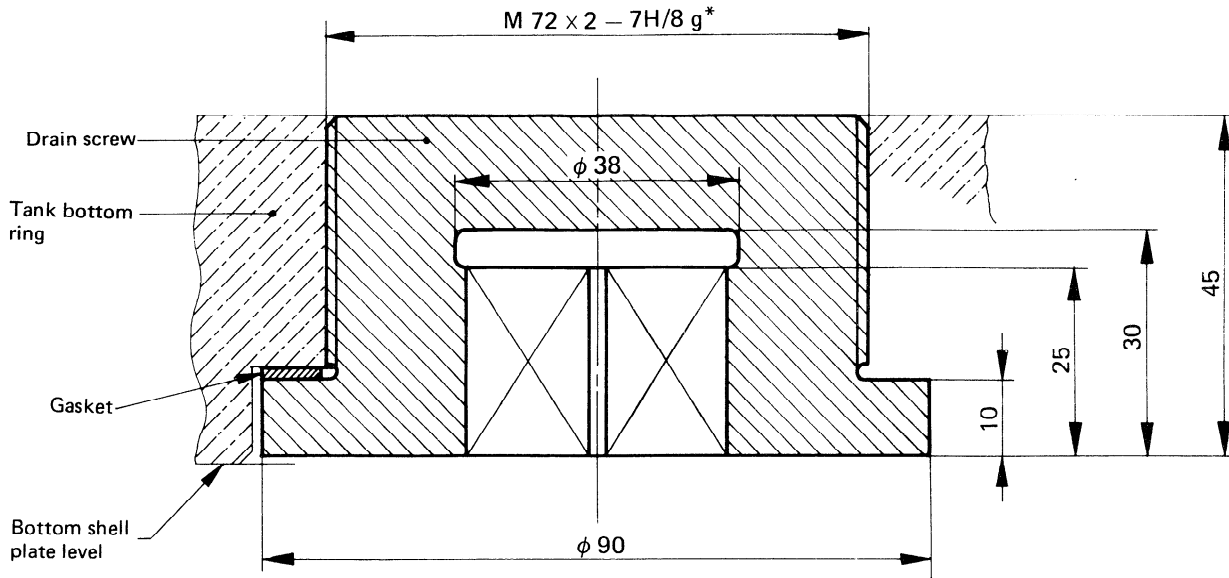
### 4 MATERIALS

The drain screw and gasket materials shall be as given in the table. Other materials may be used provided that they are at least as suitable in all respects for the intended duty.

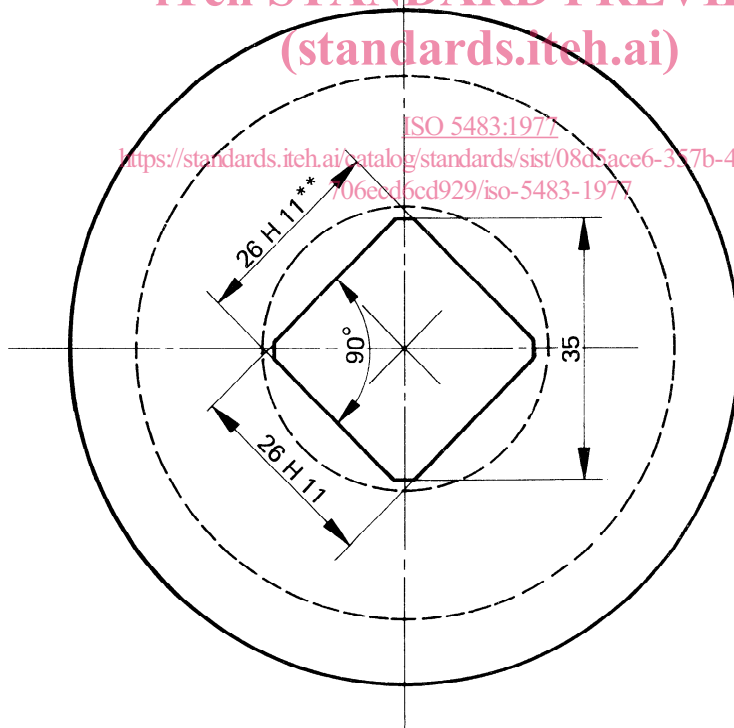
Component	Material	Designation
Drain screw	Stainless steel	ISO 683/XIII : austenitic steel type 20a
	Copper-aluminium alloy	ISO 428, table 2 : Cu Al8 Fe3 or Cu Al10 Fe5 Ni5
	Copper-nickel-iron	90/10
Gasket <sup>1)</sup>	Lead compound, soft hemp packing or equivalent	

1) Gasket material shall be suitable for the liquid within the compartment.

Dimensions in millimetres



iTeh STANDARD PREVIEW  
(standards.iteh.ai)



\* See ISO 965.

\*\* See ISO/R 286.