

INTERNATIONAL ELECTROTECHNICAL COMMISSION
COMMISSION ÉLECTROTECHNIQUE INTERNATIONALE

IEC 62841-4-7
Edition 1.0 2022-07

**ELECTRIC MOTOR-OPERATED HAND-HELD
TOOLS, TRANSPORTABLE TOOLS AND LAWN
AND GARDEN MACHINERY – SAFETY –**

**Part 4-7: Particular requirements for
pedestrian controlled walk-behind lawn
scarifiers and aerators**

IEC 62841-4-7
Édition 1.0 2022-07

**OUTILS ELECTROPORTATIFS A MOTEUR,
OUTILS PORTABLES ET MACHINES POUR
JARDINS ET PELOUSES – SECURITE –**

**Partie 4-7: Exigences particulières pour les
scarificateurs à gazon et les aérateurs de
gazon à conducteur à pied**

C O R R I G E N D U M 1

iTeh STANDARD PREVIEW
Corrections to the French version appear after the English text.
(standards.iteh.ai)

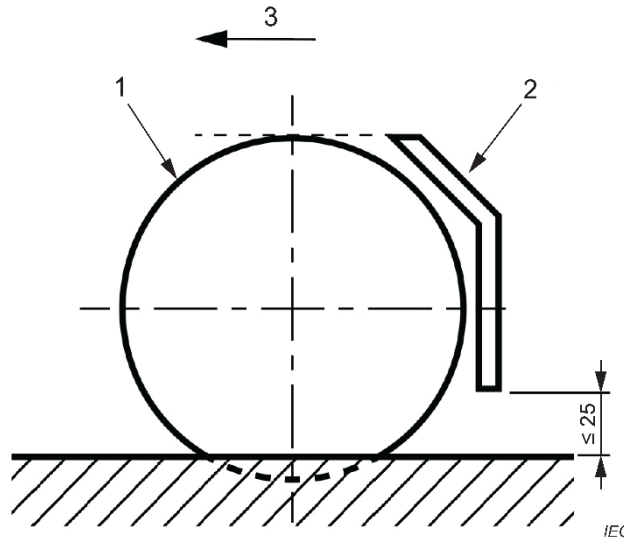
Les corrections à la version française sont données après le texte anglais.

[IEC 62841-4-7:2022/COR1:2023](https://standards.iteh.ai/catalog/standards/sist/43f6fcd1-1f2e-4666-9440-6b6f38ec4bed/iec-62841-4-7-2022-cor1-2023)
<https://standards.iteh.ai/catalog/standards/sist/43f6fcd1-1f2e-4666-9440-6b6f38ec4bed/iec-62841-4-7-2022-cor1-2023>

19 Mechanical hazards

Replace the existing Figure 108 with the following new Figure 108:

Dimensions in millimetres



Key

- 1 tines
- 2 guard
- 3 direction of travel

Figure 108 – Guarding of lawn scarifier and lawn aerator tines, front discharge

Annex I – Measurement of noise and vibration emissions

I.3 Vibration

Replace the existing text of I.3.6.2 with the following new text:

I.3.6.2 Declaration of the vibration total value

Replacement:

The vibration total value a_h of the handle with the highest emission and the uncertainty K shall be declared. The uncertainty K shall be declared according to EN 12096.

Annex K – Battery tools and battery packs

Replace the existing text of K.8.14.1.101 j) with the following new text:

- j) **Do not operate the machine in wet grass. Walk, never run.** This reduces the risk of slipping and falling which may result in personal injury.