



Designation: **C739–21a** C739 – 24

## Standard Specification for Cellulosic Fiber Loose-Fill Thermal Insulation<sup>1</sup>

This standard is issued under the fixed designation C739; the number immediately following the designation indicates the year of original adoption or, in the case of revision, the year of last revision. A number in parentheses indicates the year of last reapproval. A superscript epsilon ( $\epsilon$ ) indicates an editorial change since the last revision or reapproval.

*This standard has been approved for use by agencies of the U.S. Department of Defense.*

### 1. Scope

1.1 This specification covers the composition and physical requirements of chemically treated, recycled cellulosic fiber loose-fill type thermal insulation for use in attics or enclosed spaces in housing, and other framed buildings within the ambient temperature range from  $-45$  to  $90^{\circ}\text{C}$  by pneumatic or pouring application. While products that comply with this specification are used in various constructions, they are adaptable primarily, but not exclusively, to wood joist, rafters, and stud construction.

1.2 The values stated in SI units are to be regarded as standard. No other units of measurement are included in this standard.

1.3 *This standard does not purport to address all of the safety concerns, if any, associated with its use. It is the responsibility of the user of this standard to establish appropriate safety, health, and environmental practices and determine the applicability of regulatory limitations prior to use.*

1.4 *This international standard was developed in accordance with internationally recognized principles on standardization established in the Decision on Principles for the Development of International Standards, Guides and Recommendations issued by the World Trade Organization Technical Barriers to Trade (TBT) Committee.*

### 2. Referenced Documents

- 2.1 *ASTM Standards:*<sup>2</sup>
- [B152/B152M Specification for Copper Sheet, Strip, Plate, and Rolled Bar](#)
  - [C168 Terminology Relating to Thermal Insulation](#)
  - [C177 Test Method for Steady-State Heat Flux Measurements and Thermal Transmission Properties by Means of the Guarded-Hot-Plate Apparatus](#)
  - [C518 Test Method for Steady-State Thermal Transmission Properties by Means of the Heat Flow Meter Apparatus](#)
  - [C687 Practice for Determination of Thermal Resistance of Loose-Fill Building Insulation](#)
  - [C1114 Test Method for Steady-State Thermal Transmission Properties by Means of the Thin-Heater Apparatus](#)
  - [C1338 Test Method for Determining Fungi Resistance of Insulation Materials and Facings](#)
  - [C1363 Test Method for Thermal Performance of Building Materials and Envelope Assemblies by Means of a Hot Box Apparatus](#)
  - [C1374 Test Method for Determination of Installed Thickness of Pneumatically Applied Loose-Fill Building Insulation](#)
  - [C1485 Test Method for Critical Radiant Flux of Exposed Attic Floor Insulation Using an Electric Radiant Heat Energy Source](#)
  - [C1630 Guide for Development of Coverage Charts for Loose-Fill Thermal Building Insulations](#)
  - [E177 Practice for Use of the Terms Precision and Bias in ASTM Test Methods](#)
  - [E691 Practice for Conducting an Interlaboratory Study to Determine the Precision of a Test Method](#)

<sup>1</sup> This specification is under the jurisdiction of ASTM Committee C16 on Thermal Insulation and is the direct responsibility of Subcommittee C16.23 on Blanket and Loose Fill Insulation.

Current edition approved Sept. 1, 2021/March 1, 2024. Published September 2021/March 2024. Originally approved in 1973. Last previous edition approved in 2021 as C739 – 21a. DOI: [10.1520/C0739-21A](https://doi.org/10.1520/C0739-21A); [10.1520/C0739-24](https://doi.org/10.1520/C0739-24).

<sup>2</sup> For referenced ASTM standards, visit the ASTM website, [www.astm.org](http://www.astm.org), or contact ASTM Customer Service at [service@astm.org](mailto:service@astm.org). For *Annual Book of ASTM Standards* volume information, refer to the standard's Document Summary page on the ASTM website.

**E970 Test Method for Critical Radiant Flux of Exposed Attic Floor Insulation Using a Radiant Heat Energy Source****3. Terminology**

3.1 *Definitions*—For definitions of terms used in this specification, see Terminology **C168**.

3.2 *Definitions of Terms Specific to This Standard:*

3.2.1 *attic*—an enclosed space between the roof and ceiling of the occupied part of a building.

3.2.2 *critical radiant flux*—the level of incident radiant heat energy on the attic floor insulation system at the most distant flame-out point ( $\text{W}/\text{cm}^2$ ).

**4. Materials and Manufacture**

4.1 The basic material shall be recycled cellulosic fiber made from selected paper, paperboard stock, or ground wood stock, excluding contaminated materials, which may reasonably be expected to be retained in the finished product. Suitable chemicals are introduced to provide properties such as flame resistance, processing, and handling characteristics.

4.2 The basic material may be processed into a form suitable for installation by pneumatic or pouring methods.

**5. Physical and Chemical Properties**

5.1 *Design Density*—The design density shall be determined in accordance with Section **8**. Report all units in  $\text{kg}/\text{m}^3$ .

5.1.1 Design density is not a basis for acceptance or rejection.

5.2 *Corrosiveness*—The loose-fill insulation material shall be tested for corrosiveness as specified in Section **9**. The composition of the insulation material shall be such that after testing, no perforation of the 3-mil (76- $\mu\text{m}$ ) metal specimens shall be evident when the specimens are observed over a 40-W appliance light bulb. Notches extending into the coupon 3 mm or less from any edge shall be ignored.

5.3 *Critical Radiant Flux*—When tested in accordance with Section **10**, the critical radiant flux shall be  $\geq 0.12 \text{ W}/\text{cm}^2$ . All values shall be reported to two significant digits.

5.4 *Fungi Resistance*—The loose-fill insulation material shall be tested and shall pass fungi resistance as specified in Section **11**. If the growth on two or more of the replicate test items is greater than that on the comparative item, the test item shall be considered to fail.

NOTE 1—If the manufacturing claims the insulation kills or controls insects or rodents, or both, the product must be registered as a pesticide under the Federal Insecticide, Fungicide and Rodenticide Act, as amended, and must also be registered in accordance with state pesticide statutes.

5.5 *Moisture Vapor Sorption*—Moisture gain in the insulation shall be no more than 15 % by weight when tested in accordance with Section **12**.

5.6 *Odor Emission*—Any sample producing a detectable odor that is classified as objectionable and strong or very strong by more than two panel members shall be considered to have failed the test when tested in accordance with Section **13**.

5.7 *Smoldering Combustion*—When tested in accordance with the smoldering combustion test method in Section **14**, the insulation shall show no evidence of flaming and a weight loss no greater than 15 %.

5.8 *Thermal Resistance*—The standard thermal resistance values normally recommended for open application are: 2.3, 3.4., 3.9, 5.3, 6.7, and 8.6 and are expressed in  $\text{K}\cdot\text{m}^2/\text{W}$ . The thermal resistance  $R$  for the average of any (four) randomly selected specimens shall not be more than 5 % below the listed  $R$  value when tested in accordance with Section **15**.  $R$  values other than those listed shall be as agreed upon between the supplier and the purchaser.

## 6. Workmanship, Finish, and Appearance

6.1 The product shall be free of extraneous foreign materials such as metals and glass that will adversely affect the performance in service.

## TEST METHODS

### 7. Summary

7.1 The following tests shall be conducted on loose-fill cellulosic insulation at the measured design density: moisture vapor sorption, smoldering combustion, and thermal resistance.

NOTE 2—The importance of an insulation's product to maintain its fire retardant characteristics is recognized. A task group in ASTM C16.31 is currently studying methods to ascertain if there is a long-term deterioration of fire performance characteristics of cellulose insulation. Should the need for a permanency test be determined by this task group and a test method be developed and finalized, it will become a part of this specification.

### 8. Design Density

8.1 *Scope*—This test method provides a basis for calculating the product coverage values and for conducting physical property tests requiring the use of design density for sample preparation.

8.2 *Significance and Use*—The design density is the approximate density expected after long-term attic application.

8.3 *Apparatus and Materials:*

8.3.1 *Insulation Specimen Container*—A beaker having a flat bottom and an inside diameter of  $15.0 \pm 1$  cm, straight sides. The height of the beaker shall be such that the distance between the bottom of the cyclone and the top edge of the beaker is  $8.50 \pm 1.0$  cm.

8.3.2 *Flat Rigid Disk*, having a total weight of  $75 \pm 5$  g and of a suitable diameter to fit loosely into the specimen container. Weight may be added to the center of the disk to bring the total weight to the required  $75 \pm 5$  g.

8.3.3 *Balance*, having a 2-kg capacity accurate to  $\pm 0.2$  g.

8.3.4 *Blower Apparatus*, having two blower units (supply and overflow) meeting the following specifications:

8.3.4.1 Each blower apparatus shall be capable of blowing an average of 272.2 kg of insulation per hour.

8.3.4.2 Each blower apparatus shall have a nominal air flow velocity of 0.38 m/s.

8.3.4.3 Each blower apparatus shall have a nominal motor speed of 16 450 r/min at 115 V (a-c).

8.3.5 *Shaker Unit*, having a capability of shaking 4.5 kg of weight with a vertical motion of 0.5 g rms acceleration at an approximate frequency of 9 Hz and displacement of approximately  $1.17 \pm 0.08$  cm.

8.3.6 *Fill Chamber*, having inside dimensions of 45.7 cm high by 38.1 cm wide by 38.1 cm deep, with covered openings that will allow a radiant panel tray to be slid through the chamber (see Fig. 1).

8.3.7 *Cyclone Receiver*—See Fig. 2.

8.3.8 *Hose*—Various lengths of nominal 5.08-cm diameter hose (see Fig. 1):

8.3.8.1 *Supply Source Hose*,  $274.3 \pm 5.1$  cm.

8.3.8.2 *Cyclone Receiver Hose*,  $182.9 \pm 5.1$  cm.

8.3.8.3 *Fill Chamber Exit Hose*,  $91.4 \pm 5.1$  cm.

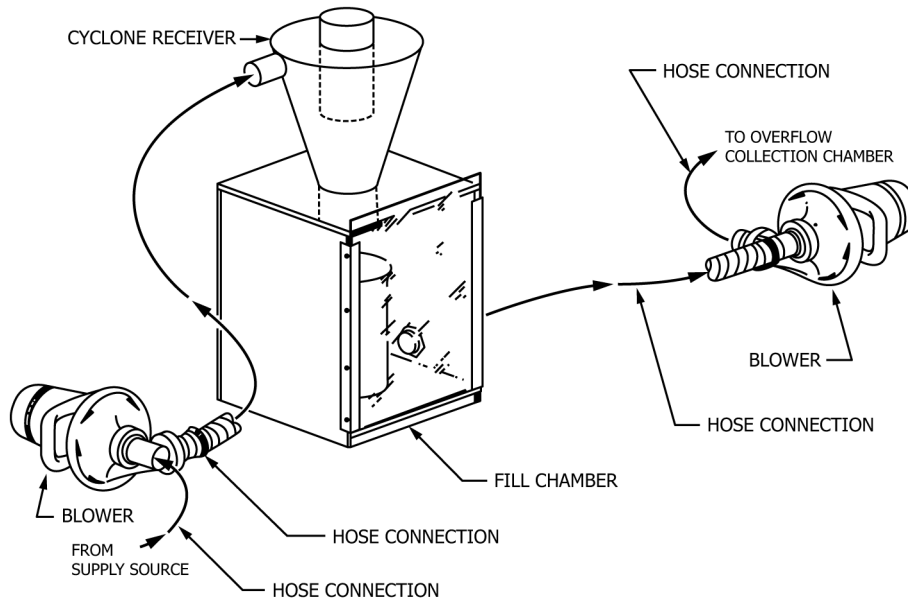
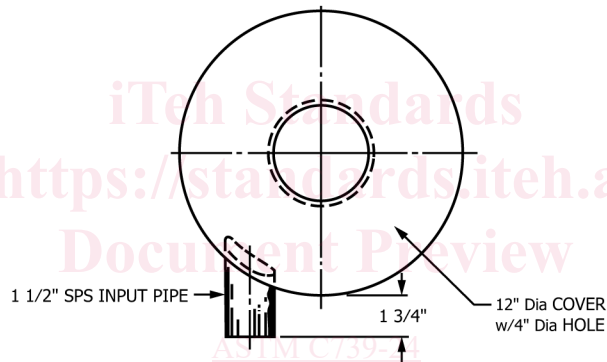


FIG. 1 Partial Insulation Preparation Apparatus



ASTM C739-24

<https://standards.iteh.ai/catalog/standards/astm/2ca1193d-97a9-4342-a242-68d327cfa4dc/astm-c739-24>

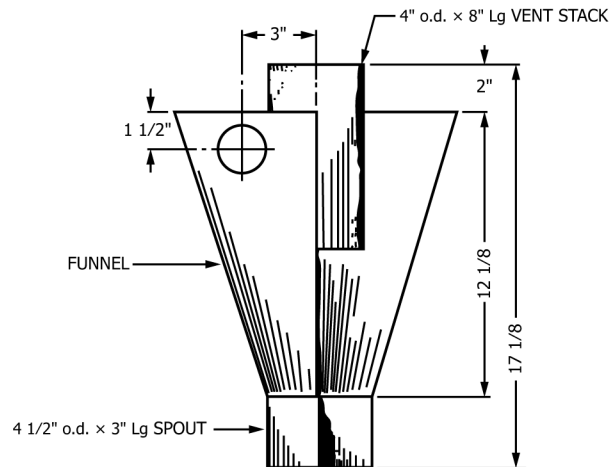


FIG. 2 Cyclone Receiver Weldment

8.3.8.4 *Overflow Exhaust Hose*, length as needed.

8.3.9 *Blower Controls*, having capability of operating the two blowers at 40 V rms and 12 A.

8.3.10 *Insulation Holding Container*, capable of holding four times the amount of insulation required to fill the specimen container.

8.3.11 *Garden Rake*, with steel teeth.

#### 8.4 *Conditioning:*

8.4.1 Condition specimens to equilibrium at  $21 \pm 2.0^{\circ}\text{C}$  and  $50 \pm 5\%$  relative humidity in an open top mesh bottom container not exceeding 10.16 cm in depth and position in such a way to allow free movement of air on exposed sides. A change in net weight of the specimen that is less than 1 % in two consecutive weighings with 24 h between each weighing constitutes equilibrium.

8.4.2 If ambient laboratory conditions are different from the conditioning requirements specified in 8.4.1, begin testing the specimen for design density within 10 min after it has been removed from the conditioned area.

#### 8.5 *Procedure for Pneumatic Applications:*

8.5.1 Conduct the test in an area conditioned in accordance with 8.4.1.

8.5.2 Blow the material through a commercial blower using 30.48 m of 5.08 cm hose into a sample receiver while holding the hose horizontally at a height of four feet.

8.5.3 Set up the apparatus as shown in Fig. 1. Connect one end of the supply source hose to the intake of the supply blower. Use the other end of the supply source hose to pick up insulation from the holding container. Connect one end of the cyclone receiver hose to the outlet of the supply blower and the other end to the fill chamber. Place the fill chamber on a flat and level surface. Connect one end of the variable length overflow exhaust hose to the outlet of the overflow blower. Conveniently place the other end to reduce insulation dust in the test area.

8.5.4 Weigh the empty insulation specimen container and record its weight.

8.5.5 Place the empty insulation specimen container in the fill chamber, centered under the cyclone receiver, and close the front cover.

8.5.6 Adjust the blower control(s) so that the supply and overflow blowers will operate at a no-load voltage of 40 V rms.

8.5.7 Simultaneously turn on the blowers and proceed to fill the insulation specimen container by picking up material from the holding container using the supply source hose.

8.5.8 The container may fill unevenly, that is, a void may tend to form off center in the container. If this occurs, stop the blowing process and rotate the container. If, for any reason, the filling process is interrupted for more than 1 min or for more than the time allowed to rotate the container once, begin the process again.

8.5.9 Gently remove the excess material using a straight edge to leave a uniform surface on the insulation flush with the top of the container.

8.5.10 Weigh the filled and leveled container and record the weight. Take care not to bump or jar the container so not to introduce any extraneous settling of the insulation.

8.5.11 Cover the container to prevent spilling and secure the container to the shaker. Operate the shaker for a period of  $5 \text{ min} \pm 15 \text{ s}$ .

8.5.12 Remove the container from the shaker and uncover, taking care not to bump or jar it. Lower the disk very slowly into the container until it starts to contact the insulation. At this point, release the disk and allow it to settle onto the insulation under its own weight.

8.5.13 Measure the volume of the space occupied by the insulation using the bottom edge of the disk as the upper datum point. If the disk is not level, measure the high and low points of the bottom of the disk and average the readings and use this as the height measurement in calculating the volume ( $V_s$ ). Calculate the design density using the insulation volume and insulation mass ( $W$ ).

8.5.14 Repeat 8.5.1 – 8.5.13 using another specimen of the insulation until four densities are obtained for a given material. Then average these figures to determine the design density.

#### 8.6 Procedure for Pouring Applications:

8.6.1 Pour loose-fill insulation into a simulated attic space until full. The attic space shall be formed by two nominal 2 by 6 by 8-ft long joists placed 40.6 cm on center with 1.27-cm plywood nailed to the ends and bottom. Fluff the material with a garden rake, applying a series of small amplitude strokes while moving the rake slowly along the joist. Repeat the fluffing process six times.

8.6.2 Weigh the empty insulation specimen container and record its mass.

8.6.3 Using a shovel, remove the insulation from the simulated attic space and place it into the specimen container until the container just begins to overflow.

8.6.4 Follow the procedure specified in 8.5.9 – 8.5.13.

8.6.5 Repeat 8.6.2 – 8.6.4 using another specimen of the insulation until four densities are obtained for a given material. Then average these values to determine the design density.

8.7 Procedure for Pouring and Pneumatic Applications—If the insulation is intended for both pouring and pneumatic applications, or if it is uncertain whether the insulation will be poured or installed pneumatically, test the insulation for design density in accordance with 8.4, 8.5, and 8.6 for each of the applications.

8.8 Calculations—Calculate the design density, in kg/m<sup>3</sup>, of each specimen using Eq 1:

$$\text{Design density} = W/V_s \quad (1)$$

where:

$W$  = combined mass of the container and insulation minus the mass of the container, g, and

$V_s$  = volume of insulation in container after shaking, L.

#### 8.9 Precision and Bias:

8.9.1 The precision of this test method is based on an interlaboratory study of C739, Standard Specification for Cellulosic Fiber Loose-Fill Thermal Insulation, conducted in 2009. Six laboratories participated in this study, reporting the Design Density for a single cellulose insulation. All six labs reported results in pounds per cubic foot. A total of 16 replicates were reported by the participants for each of the unit measurements. Every “test result” reported represents an individual determination. Except for the use of data from only a single type of cellulosic insulation, Practice E691 was followed for the design and analysis of the data; the details are given in ASTM Research Report No. RR:C16-1037.<sup>3</sup>

8.9.1.1 Repeatability limit ( $r$ )—Two test results obtained within one laboratory shall be judged not equivalent if they differ by more than the “ $r$ ” value for that material; “ $r$ ” is the interval representing the critical difference between two test results for the same material, obtained by the same operator using the same equipment on the same day in the same laboratory.

(1) Repeatability limits are listed in Table 1.

8.9.1.2 Reproducibility limit ( $R$ )—Two test results shall be judged not equivalent if they differ by more than the “ $R$ ” value for that material; “ $R$ ” is the interval representing the critical difference between two test results for the same material, obtained by different operators using different equipment in different laboratories.

(1) Reproducibility limits are listed in Table 1.

8.9.1.3 The above terms (repeatability limit and reproducibility limit) are used as specified in Practice E177.

8.9.1.4 Any judgment in accordance with statement 8.9.1.1 would normally have an approximate 95 % probability of being

<sup>3</sup> Supporting data have been filed at ASTM International Headquarters and may be obtained by requesting Research Report RR:C16-1037.