

---

# International Standard



# 5678

---

INTERNATIONAL ORGANIZATION FOR STANDARDIZATION • МЕЖДУНАРОДНАЯ ОРГАНИЗАЦИЯ ПО СТАНДАРТИЗАЦИИ • ORGANISATION INTERNATIONALE DE NORMALISATION

---

## Equipment for working the soil — Clearance zones and main dimensions for S-type cultivator tines

*Matériel de travail du sol — Zones de dégagement et principales dimensions pour les dents de cultivateur de type S*

First edition — 1979-04-15

**iTeh STANDARD PREVIEW**  
**(standards.iteh.ai)**

[ISO 5678:1979](https://standards.iteh.ai/catalog/standards/sist/976ca8b1-7e4e-49a8-b75f-59ff1e77a0f7/iso-5678-1979)

<https://standards.iteh.ai/catalog/standards/sist/976ca8b1-7e4e-49a8-b75f-59ff1e77a0f7/iso-5678-1979>

---

UDC 631.316.022

Ref. No. ISO 5678-1979 (E)

Descriptors : soil working equipment, agricultural machinery, cultivators, dimensions.

Price based on 3 pages

## FOREWORD

ISO (the International Organization for Standardization) is a worldwide federation of national standards institutes (ISO member bodies). The work of developing International Standards is carried out through ISO technical committees. Every member body interested in a subject for which a technical committee has been set up has the right to be represented on that committee. International organizations, governmental and non-governmental, in liaison with ISO, also take part in the work.

Draft International Standards adopted by the technical committees are circulated to the member bodies for approval before their acceptance as International Standards by the ISO Council.

International Standard ISO 5678 was developed by Technical Committee ISO/TC 23, *Tractors and machinery for agriculture and forestry*, and was circulated to the member bodies in May 1977.

It has been approved by the member bodies of the following countries :

Australia	Germany, F.R.	Romania
Austria	India	South Africa, Rep. of
Belgium	Iran	Spain
Brazil	Italy	Sweden
Bulgaria	Korea, Dem. P. Rep. of	Switzerland
Canada	Korea, Rep. of	Turkey
Chile	Mexico	United Kingdom
Czechoslovakia	New Zealand	USSR
Denmark	Philippines	Yugoslavia
Finland	Poland	
France	Portugal	

The member body of the following country expressed disapproval of the document on technical grounds :

USA

# Equipment for working the soil – Clearance zones and main dimensions for S-type cultivator tines

## iTeh STANDARD PREVIEW (standards.iteh.ai)

### 1 SCOPE

This International Standard lays down the clearance zones and main dimensions for S-type cultivator tines. Clearance zones for S-type cultivator tines shall correspond to those indicated in figure 1.

### 2 FIELD OF APPLICATION

This International Standard applies to agricultural cultivators designed for use with "S" – shaped tines.

### 3 REFERENCE

ISO 5680, *Equipment for working the soil – Shanks and shovels for cultivators – Main fixing dimensions.*<sup>1)</sup>

### 4 CLEARANCE ZONES

### 5 DIMENSIONS

Main dimensions of tines shall correspond to those indicated in figure 2.

Dimensions not indicated shall be at the discretion of the manufacturer. Dimensions of the lower part of a tine shall be in accordance with type 1, as specified in ISO 5680.

1) At present at the stage of draft.

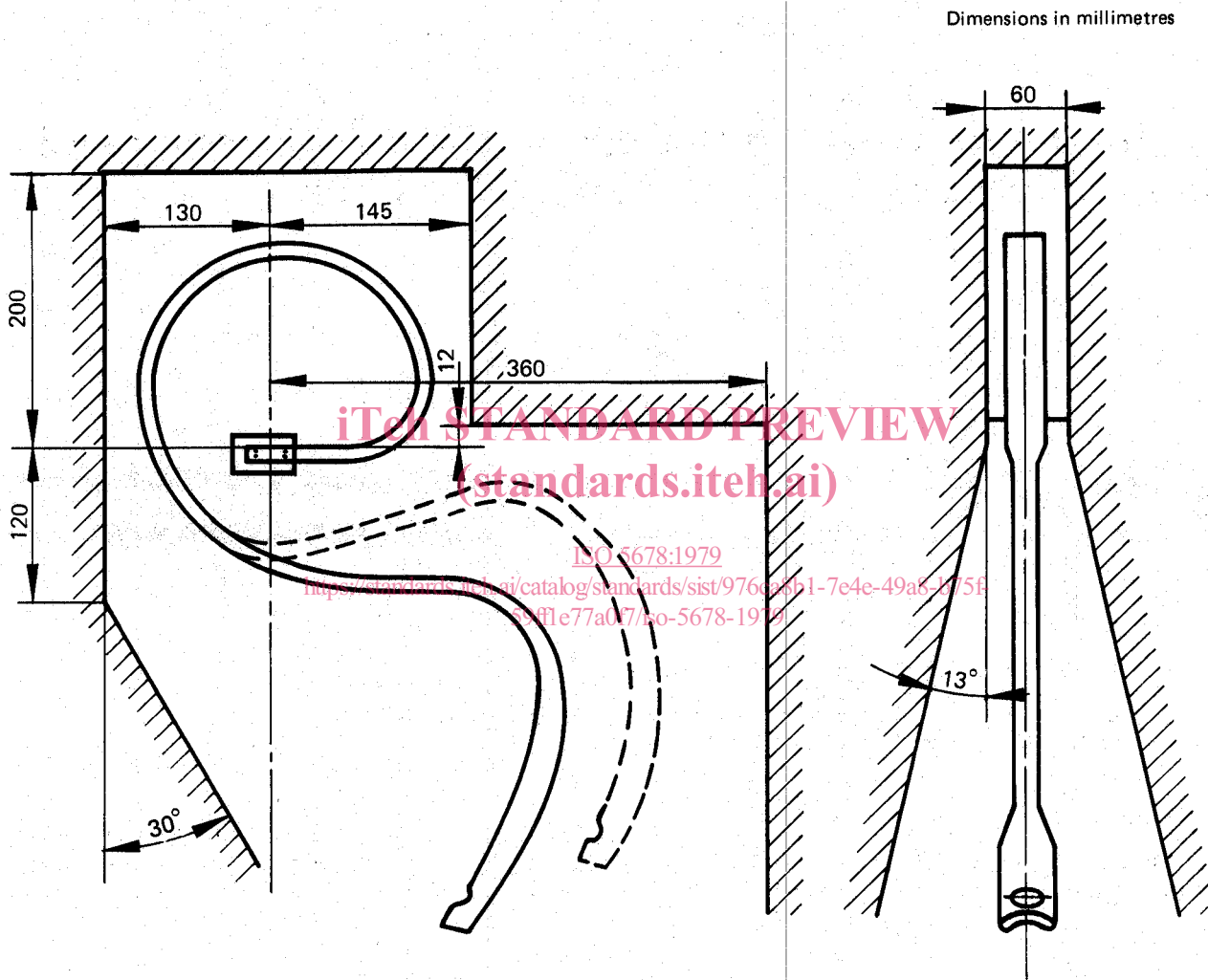
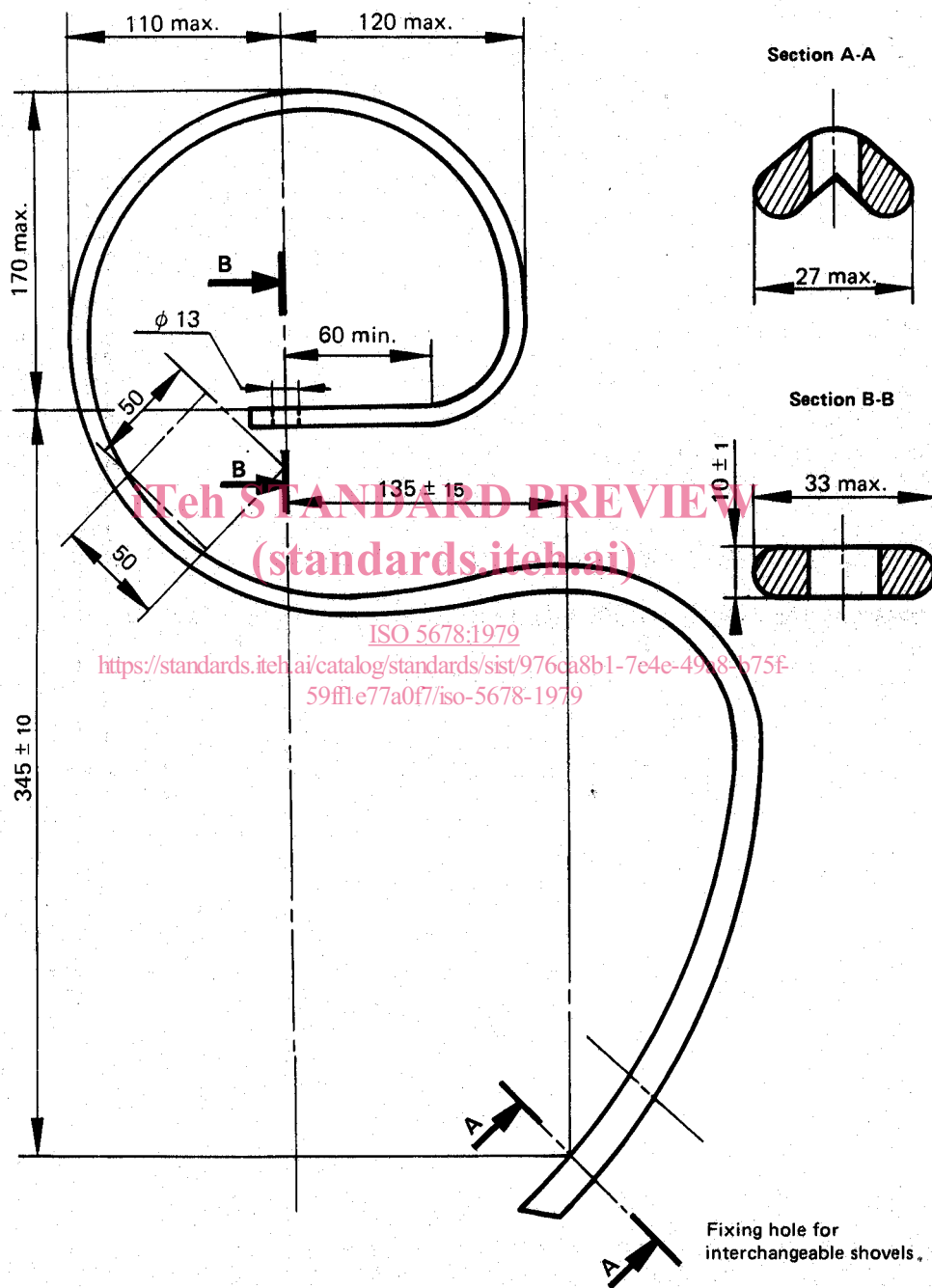


FIGURE 1 – Clearance zones

Dimensions in millimetres



STANDARD PREVIEW  
 (standards.iteh.ai)  
 ISO 5678:1979  
<https://standards.iteh.ai/catalog/standards/sist/976ca8b1-7e4e-49e8-b75f-59ff1e77a0f7/iso-5678-1979>

FIGURE 2 -- Main dimensions

**iTeh STANDARD PREVIEW**  
**(standards.iteh.ai)**

ISO 5678:1979

<https://standards.iteh.ai/catalog/standards/sist/976ca8b1-7e4e-49a8-b75f-59ff1e77a0f7/iso-5678-1979>

**iTeh STANDARD PREVIEW**  
**(standards.iteh.ai)**

ISO 5678:1979

<https://standards.iteh.ai/catalog/standards/sist/976ca8b1-7e4e-49a8-b75f-59ff1e77a0f7/iso-5678-1979>

**iTeh STANDARD PREVIEW**  
**(standards.iteh.ai)**

ISO 5678:1979

<https://standards.iteh.ai/catalog/standards/sist/976ca8b1-7e4e-49a8-b75f-59f1e77a0f7/iso-5678-1979>