



**SLOVENSKI STANDARD**  
**SIST ISO 5678:1996**

**01-junij-1996**

---

**Kmetijski stroji - Stroji za obdelavo zemlje - Elastične nogače: Mere in območje nihanja**

Agricultural machinery -- Equipment for working the soil -- S-tines: main dimensions and clearance zones

**iTeh STANDARD PREVIEW**

Matériel agricole -- Matériel de travail du sol -- Dimensions principales des dents de type S et leurs zones de dégagement

[SIST ISO 5678:1996](https://standards.iteh.ai/catalog/standards/sist/59a1cf40-cd9c-41a8-b004-2c30812dc79b/sist-iso-5678-1996)

**Ta slovenski standard je istoveten z: ISO 5678:1993**

---

**ICS:**

65.060.20      Oprema za obdelovanje tal      Soil-working equipment

**SIST ISO 5678:1996**

**en**

**iTeh STANDARD PREVIEW**  
**(standards.iteh.ai)**

SIST ISO 5678:1996

<https://standards.iteh.ai/catalog/standards/sist/59a1cf40-cd9c-41a8-b004-2e30812dc79b/sist-iso-5678-1996>

# INTERNATIONAL STANDARD

**ISO**  
**5678**

Second edition  
1993-11-01

---

---

## **Agricultural machinery — Equipment for working the soil — S-tines: main dimensions and clearance zones**

**iTeh STANDARD PREVIEW**

*(standards.iteh.ai)*  
*Matériel agricole — Matériel de travail du sol — Dimensions principales  
des dents de type S et leurs zones de dégagement*

SIST ISO 5678:1996

<https://standards.iteh.ai/catalog/standards/sist/59a1cf40-cd9c-41a8-b004-2e30812dc79b/sist-iso-5678-1996>



Reference number  
ISO 5678:1993(E)

## Foreword

ISO (the International Organization for Standardization) is a worldwide federation of national standards bodies (ISO member bodies). The work of preparing International Standards is normally carried out through ISO technical committees. Each member body interested in a subject for which a technical committee has been established has the right to be represented on that committee. International organizations, governmental and non-governmental, in liaison with ISO, also take part in the work. ISO collaborates closely with the International Electrotechnical Commission (IEC) on all matters of electrotechnical standardization.

Draft International Standards adopted by the technical committees are circulated to the member bodies for voting. Publication as an International Standard requires approval by at least 75 % of the member bodies casting a vote.

International Standard ISO 5678 was prepared by Technical Committee ISO/TC 23, *Tractors and machinery for agriculture and forestry*, Subcommittee SC 5, *Equipment for working the soil*.

This second edition cancels and replaces the first edition (ISO 5678:1979), which has been extended to include requirements for S-tines, types 0, 2 and 3.

© ISO 1993

All rights reserved. No part of this publication may be reproduced or utilized in any form or by any means, electronic or mechanical, including photocopying and microfilm, without permission in writing from the publisher.

International Organization for Standardization  
Case Postale 56 • CH-1211 Genève 20 • Switzerland

Printed in Switzerland

# Agricultural machinery — Equipment for working the soil — S-tines: main dimensions and clearance zones

## 1 Scope

This International Standard specifies the main dimensions and clearance zones for S-type harrow and cultivator tines used in agriculture for working the soil.

## 2 Normative reference

The following standard contains provisions which, through reference in this text, constitute provisions of this International Standard. At the time of publication, the edition indicated was valid. All standards are subject to revision, and parties to agreements based on this International Standard are encouraged to investigate the possibility of applying the most recent edition of the standard indicated below. Members of IEC and ISO maintain registers of currently valid International Standards.

ISO 5680:1979, *Equipment for working soil — Tines and shovels for cultivators — Main fixing dimensions.*

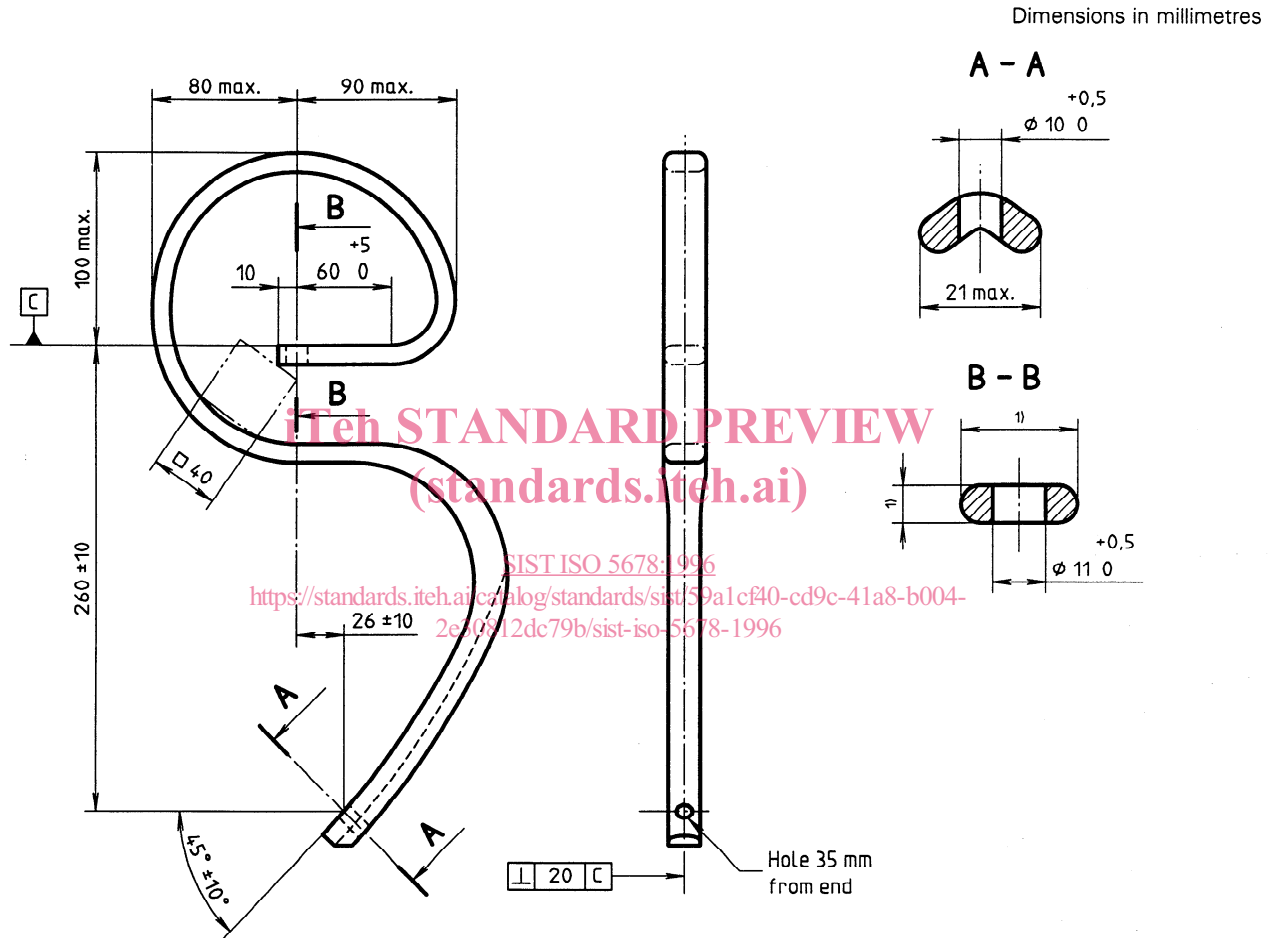
## 3 Dimensions

Main dimensions of tines shall correspond to those given in figures 1 to 4. Dimensions of the lower part of a tine shall be in accordance with types 1 and 2, as specified in ISO 5680.

Dimensions not indicated are left to the discretion of the manufacturer.

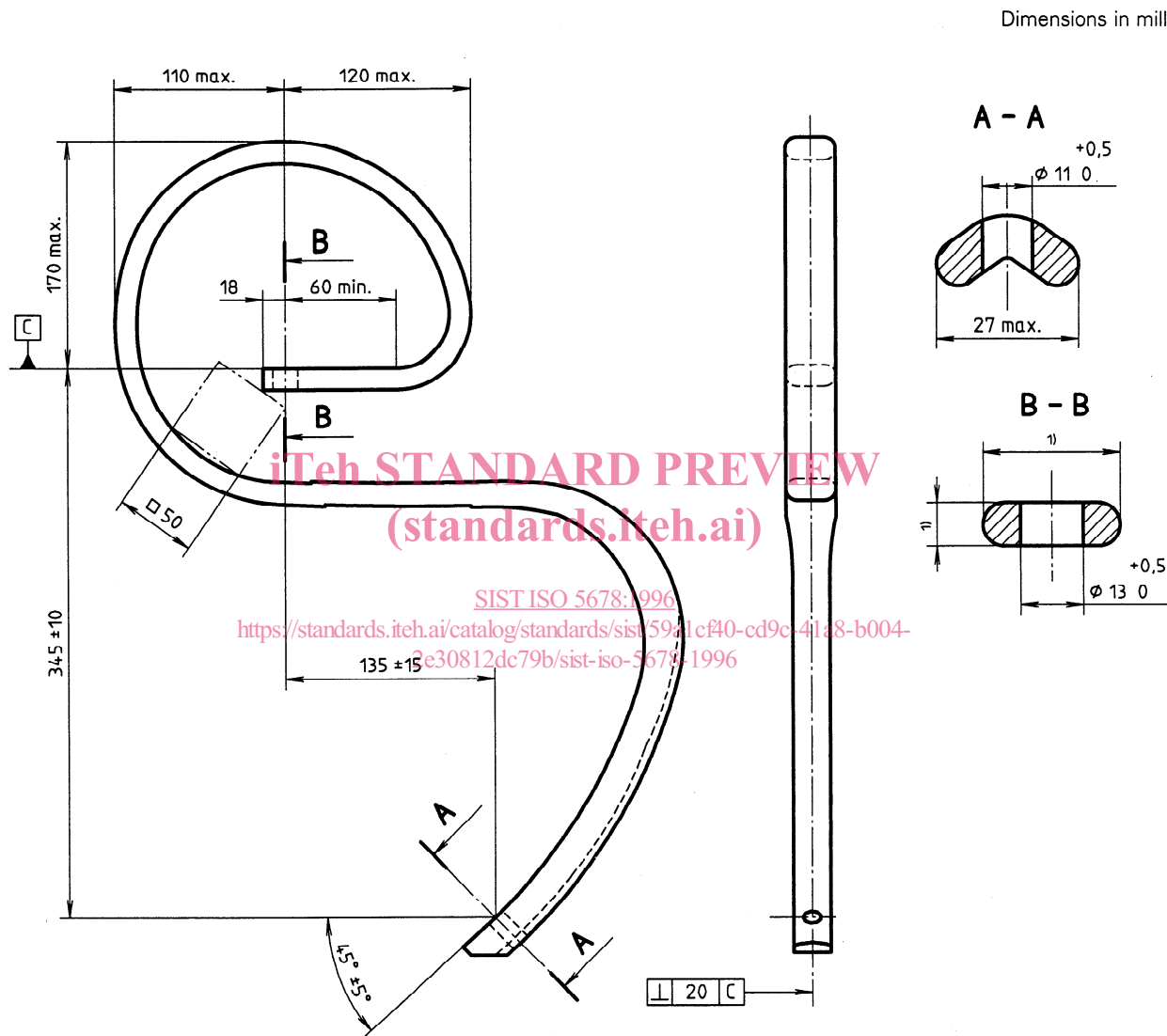
## 4 Clearance zones

Clearance zones for tines shall correspond to those given in figures 5 to 8.



1) Nominal material dimensions: 8 mm x 25 mm or 10 mm x 20 mm.

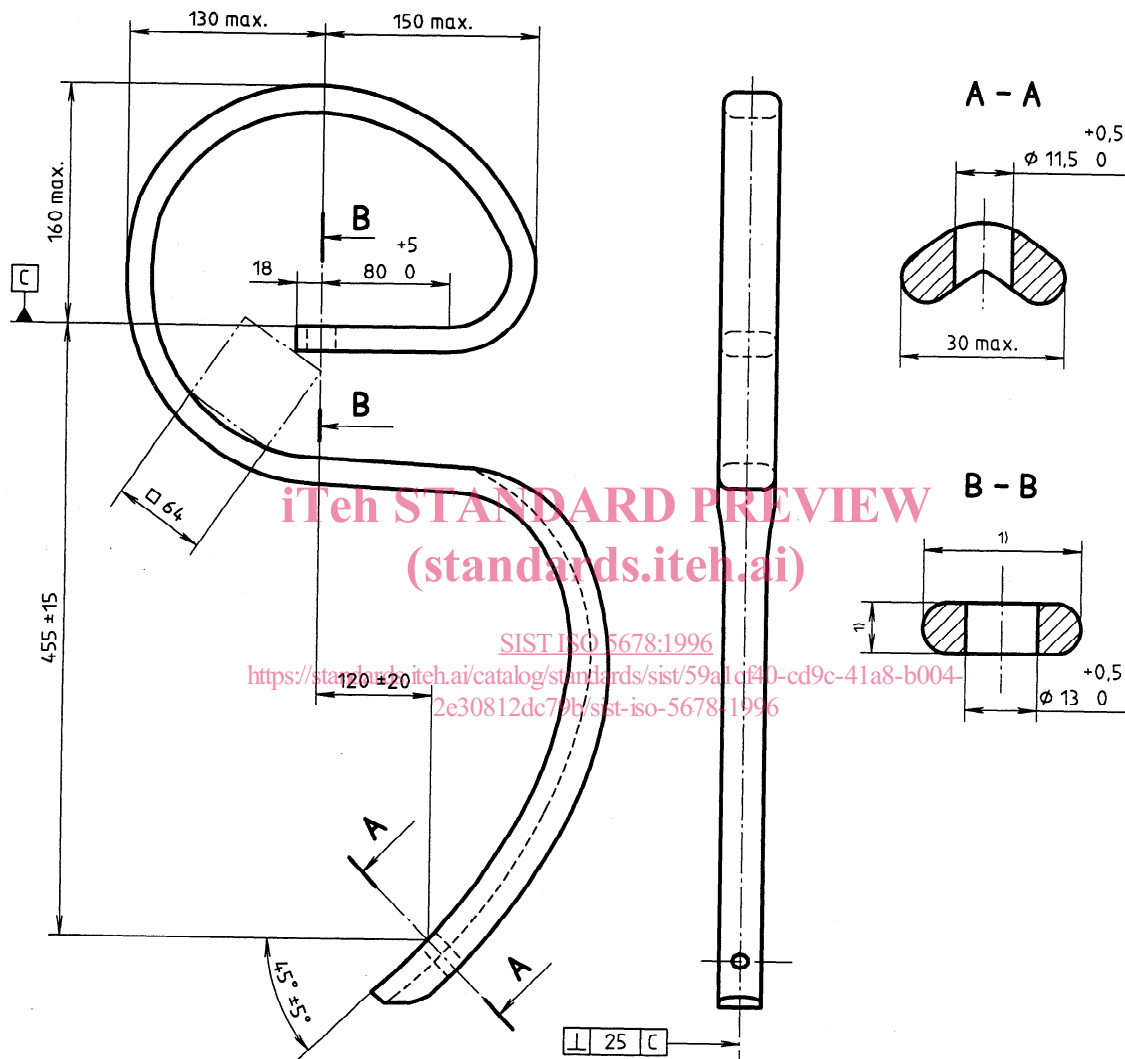
**Figure 1 — S-tine, type 0, main dimensions**



1) Nominal material dimensions: 10 mm x 32 mm, 10 mm x 40 mm or 12 mm x 32 mm.

**Figure 2 — S-tine, type 1, main dimensions**

Dimensions in millimetres

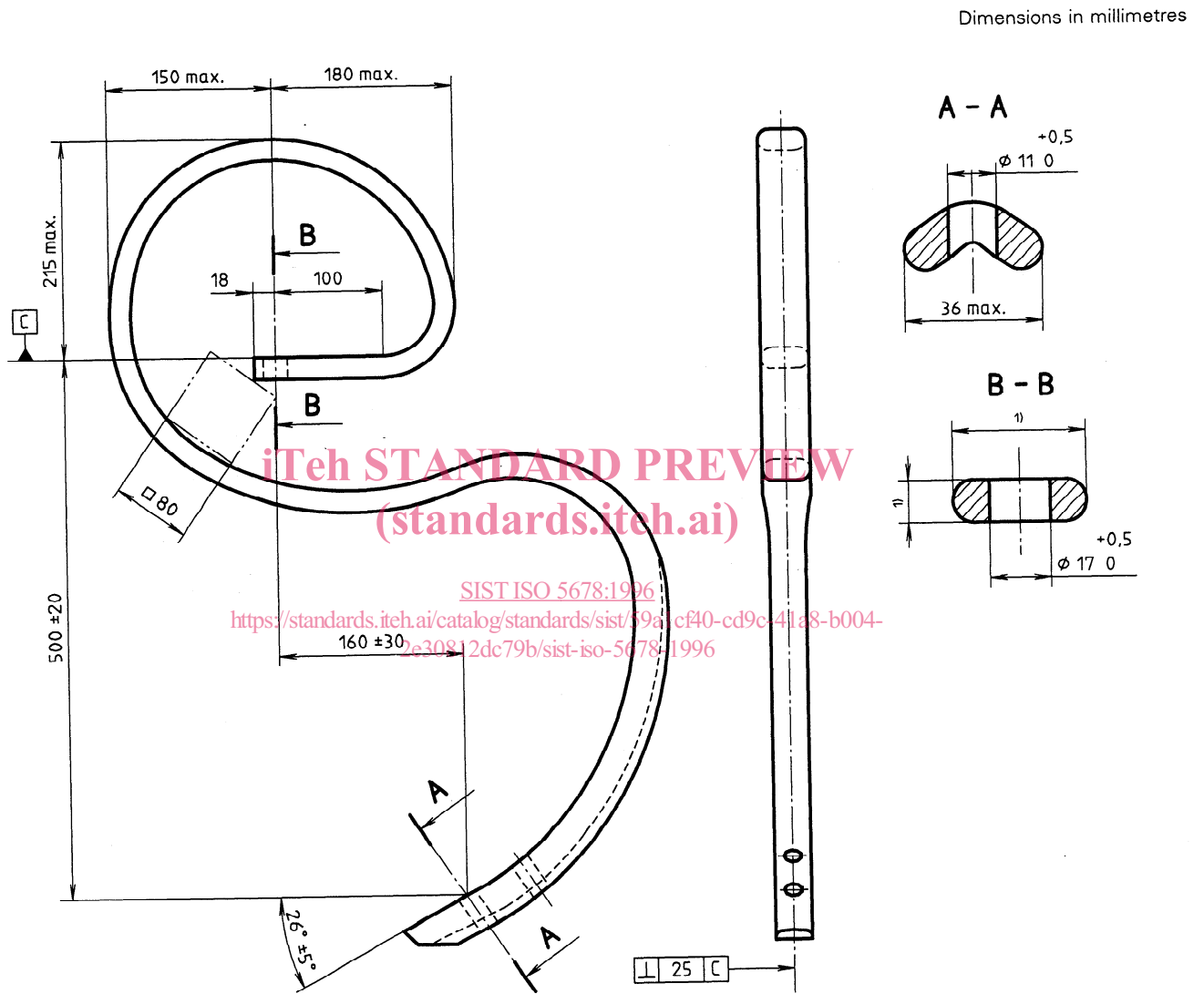


1) Nominal material dimensions: 10 mm x 45 mm, 12 mm x 32 mm, 12 mm x 38 mm or 12 mm x 45 mm.

NOTE — May also have two shovel-fixing holes in accordance with type 2 of ISO 5680.

Figure 3 — S-tine, type 2, main dimensions





1) Nominal material dimensions: 16 mm x 45 mm.

**Figure 4 — S-tine, type 3, main dimensions**