

---

**INTERNATIONAL STANDARD**



**5699**

---

INTERNATIONAL ORGANIZATION FOR STANDARDIZATION • МЕЖДУНАРОДНАЯ ОРГАНИЗАЦИЯ ПО СТАНДАРТИЗАЦИИ • ORGANISATION INTERNATIONALE DE NORMALISATION

---

**Agricultural machines, implements and equipment —  
Dimensions for mechanical loading with bulk goods**

*Matériels agricoles, instruments et équipements — Dimensions pour le chargement mécanique des produits en vrac*

First edition — 1979-04-15

**ITh STANDARD PREVIEW**  
**(standards.iteh.ai)**

[ISO 5699:1979](https://standards.iteh.ai/catalog/standards/sist/40d3a55a-6848-41ef-8487-1a1202af4f5a/iso-5699-1979)

<https://standards.iteh.ai/catalog/standards/sist/40d3a55a-6848-41ef-8487-1a1202af4f5a/iso-5699-1979>

---

**UDC 631.3 : 621.869.3**

**Ref. No. ISO 5699-1979 (E)**

**Descriptors :** agricultural machinery, materials handling equipment, bulk products, loading, dimensions, height, width.

## FOREWORD

ISO (the International Organization for Standardization) is a worldwide federation of national standards institutes (ISO member bodies). The work of developing International Standards is carried out through ISO technical committees. Every member body interested in a subject for which a technical committee has been set up has the right to be represented on that committee. International organizations, governmental and non-governmental, in liaison with ISO, also take part in the work.

Draft International Standards adopted by the technical committees are circulated to the member bodies for approval before their acceptance as International Standards by the ISO Council.

International Standard ISO 5699 was developed by Technical Committee ISO/TC 23, *Tractors and machinery for agriculture and forestry*, and was circulated to the member bodies in January 1978.

STANDARD PREVIEW  
(standards.iteh.ai)

It has been approved by the member bodies of the following countries :

Australia	Iran	Spain
Austria	Italy	Switzerland
Bulgaria	Korea, Dem. P. Rep. of	Turkey
Canada	Mexico	United Kingdom
Chile	New Zealand	USA
Denmark	Poland	USSR
Germany, F.R.	Romania	Yugoslavia
India	South Africa, Rep. of	

<https://standards.iteh.ai/catalog/standards/sist/40d3a55a-6848-41ef-8487-1a120244174a/iso-5699-1979>

The member bodies of the following countries expressed disapproval of the document on technical grounds :

Belgium  
Czechoslovakia  
France  
Sweden

# Agricultural machines, implements and equipment — Dimensions for mechanical loading with bulk goods

## 1 SCOPE

This International Standard specifies the maximum admissible height and width dimensions for machines, implements and equipment which are engaged in mechanical loading procedures. This International Standard represents a recommendation for the production of hoisting devices, transporters and stores for bulk goods.

## 2 FIELD OF APPLICATION

This International Standard applies to agricultural machines, implements and transporters equipped with a hopper for bulk goods and which are loaded mechanically. Aircraft are excluded. The recommended gateway heights and gateway widths, for example for silos and gateways, result from the height and width dimensions for machines and implements.

## 3 DEFINITIONS

**3.1 loading height ( $h$ ):** The maximum admissible height of the loaded machines, implements and transporters above the ground.

**3.2 overall width ( $b$ ):** The maximum admissible width of the loaded machines, implements and transporters.

**3.3 gateway height ( $H$ ):** The minimum height, for example of gateways, or the minimum height of outlets of silos above the ground.

**3.4 gateway width ( $B$ ):** The minimum width, for example of gateways.

## 4 DIMENSIONS

The dimensions are shown in the figure. A difference is made between two groups according to the machines, implements and transporters to be loaded and the loading equipment used.

### 4.1 Loading of agricultural machinery and implements by tractors with front loaders

- loading height :  $h = 3\ 000$  mm
- overall width :  $b = 3\ 000$  mm
- gateway height :  $H = 4\ 200$  mm
- gateway width :  $B = 3\ 500$  mm

### 4.2 Loading of transporters by other loading equipment

- loading height :  $h = 3\ 800$  mm
- overall width :  $b = 2\ 500$  mm
- gateway height :  $H = 4\ 200$  mm
- gateway width :  $B = 3\ 500$  mm

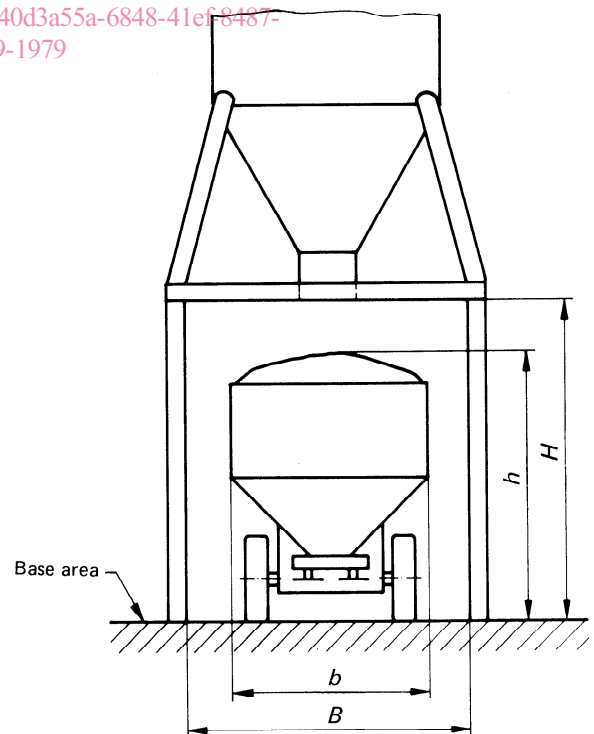


FIGURE — Dimensions for mechanical loading

**iTeh STANDARD PREVIEW**  
**(standards.iteh.ai)**

This page intentionally left blank

ISO 5699:1979

<https://standards.iteh.ai/catalog/standards/sist/40d3a55a-6848-41ef-8487-1a1202af4f5a/iso-5699-1979>