

INTERNATIONAL STANDARD

ISO 5718-1

First edition
1989-06-01

Harvesting equipment — Flat blades for rotary mowers — Specifications —

Part 1 :

Type A flat blades

iTeh STANDARD PREVIEW
(standards.iteh.ai)

Matériel de récolte — Lames plates pour faucheuses rotatives — Spécifications —

Partie 1 : Lames plates du type A

<https://standards.iteh.ai/catalog/standards/sist/d2fa7d0b-a352-48ad-93e2-1e057f4c0ce7/iso-5718-1-1989>



Reference number
ISO 5718-1 : 1989 (E)

Foreword

ISO (the International Organization for Standardization) is a worldwide federation of national standards bodies (ISO member bodies). The work of preparing International Standards is normally carried out through ISO technical committees. Each member body interested in a subject for which a technical committee has been established has the right to be represented on that committee. International organizations, governmental and non-governmental, in liaison with ISO, also take part in the work. ISO collaborates closely with the International Electrotechnical Commission (IEC) on all matters of electrotechnical standardization.

Draft International Standards adopted by the technical committees are circulated to the member bodies for approval before their acceptance as International Standards by the ISO Council. They are approved in accordance with ISO procedures requiring at least 75 % approval by the member bodies voting.

International Standard ISO 5718-1 was prepared by Technical Committee ISO/TC 23, *Tractors and machinery for agriculture and forestry*.

[ISO 5718-1:1989](https://standards.iteh.ai/catalog/standards/sist/d2fa7d0b-a352-48ad-93e2-1e05746ccc/iso-5718-1-1989)

ISO 5718 consists of the following parts, under the general title *Harvesting equipment* — *Flat blades for rotary mowers* — *Specifications*:

- *Part 1: Type A flat blades*
- *Part 2: Type B flat blades*

© ISO 1989

All rights reserved. No part of this publication may be reproduced or utilized in any form or by any means, electronic or mechanical, including photocopying and microfilm, without permission in writing from the publisher.

International Organization for Standardization
Case postale 56 • CH-1211 Genève 20 • Switzerland

Printed in Switzerland

Harvesting equipment — Flat blades for rotary mowers — Specifications —

Part 1 : Type A flat blades

1 Scope

This part of ISO 5718 lays down the specifications for type A flat blades used on agricultural rotary mowers for harvesting.

It specifies main dimensions and material characteristics of such blades.

NOTE — The main purpose of ISO 5718 is to ensure interchangeability and to set material characteristics. Flat blades on rotary mowers are exposed to considerable centrifugal forces and impacts with foreign objects. A simple bend test to check the brittleness of the material is therefore included in this part of ISO 5718.

2 Normative references

The following standards contain provisions which, through reference in this text, constitute provisions of this part of ISO 5718. At the time of publication, the editions indicated were valid. All standards are subject to revision, and parties to agreements based on this part of ISO 5718 are encouraged to investigate the possibility of applying the most recent editions of the standards listed below. Members of IEC and ISO maintain registers of currently valid International Standards.

ISO 2768 : 1973, *Permissible machining variations in dimensions without tolerance indication.*

ISO 6508 : 1986, *Metallic materials — Hardness test — Rockwell test (scales A - B - C - D - E - F - G - H - K).*

3 Definitions

For the purposes of this part of ISO 5718, the following definitions apply.

3.1 drum mower : Mower in which blades are fastened to a drum-shaped body, rotating around its vertical axis where the drums are driven from above. (See figure 1.)

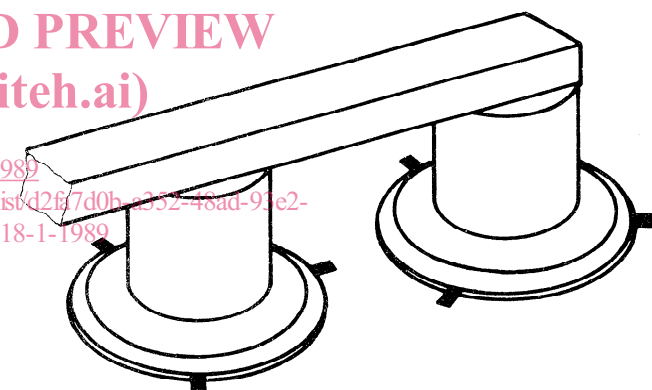


Figure 1 — Drum mower

3.2 disc mower : Mower in which blades are fastened to a discoid body, rotating around its vertical axis where the discs are driven from below. (See figure 2.)

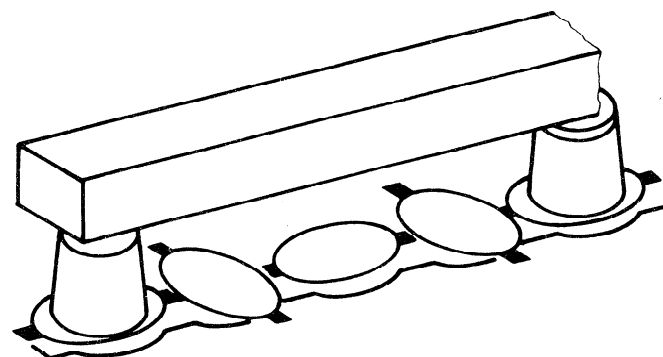


Figure 2 — Disc mower

4 Dimensions

Dimensions of type A flat blades shall comply with figure 3 and table 1. Where no tolerance is indicated, dimensions shall be to the tolerances given in ISO 2768.

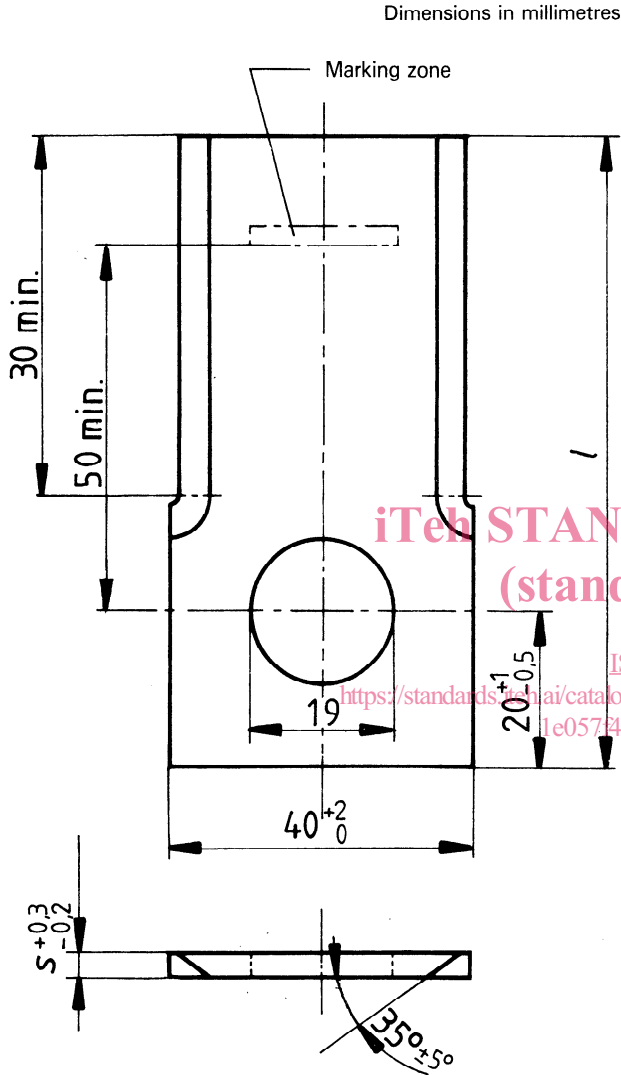


Figure 3 — Type A flat blade dimensions

Table 1
Dimensions in millimetres

<i>l</i>	<i>s</i>
90	3
96	
90	4
96	

5 Material requirements

5.1 Requirements

Type A flat blades shall be made of steel chosen by the manufacturer. The Rockwell hardness values shall be between 47 HRC and 53 HRC, in accordance with ISO 6508. The degree of brittleness shall meet the requirements of 5.2.

5.2 Bend test

Clamp a blade over a length of 35 mm (see figure 4) and bend it progressively around an inside radius $R = 16$ mm by means of a rolling device through an angle α (see table 2).

A spring-back rate is not taken into account.

After the bend test, the blade shall not present any visual cracks or fissures.

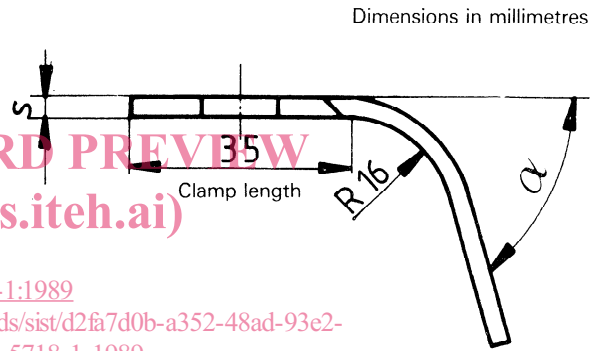


Figure 4 — Bend test

Table 2

<i>s</i> mm	α
3	75°
4	45°

6 Designation example

A type A flat blade for a drum mower that meets the requirements of this part of ISO 5718, with overall length 90 mm and a thickness of 3 mm shall be designated as follows :

Flat blade ISO 5718-1 A 90 × 3

7 Marking

Inside the marking zone on each blade (see figure 3), the type, length and thickness of the blade, and the name or trademark of the manufacturer shall be indicated. These indications and in addition the number of this part, ISO 5718-1, shall be labelled on the outside of the packing.

iTeh STANDARD PREVIEW
(standards.iteh.ai)

This page intentionally left blank

ISO 5718-1:1989

<https://standards.iteh.ai/catalog/standards/sist/d2fa7d0b-a352-48ad-93e2-1e057f4c0ce7/iso-5718-1-1989>

iTeh STANDARD PREVIEW
(standards.iteh.ai)

This page intentionally left blank

ISO 5718-1:1989

<https://standards.iteh.ai/catalog/standards/sist/d2fa7d0b-a352-48ad-93e2-1e057f4c0ce7/iso-5718-1-1989>

iTeh STANDARD PREVIEW
(standards.iteh.ai)

This page intentionally left blank

[ISO 5718-1:1989](#)

<https://standards.iteh.ai/catalog/standards/sist/d2fa7d0b-a352-48ad-93e2-1e057f4c0ce7/iso-5718-1-1989>

iTeh STANDARD PREVIEW
(standards.iteh.ai)

ISO 5718-1:1989

<https://standards.iteh.ai/catalog/standards/sist/d2fa7d0b-a352-48ad-93e2-1e057f4c0ce7/iso-5718-1-1989>

UDC 631.352.022

Descriptors : agricultural machinery, harvest equipment, mowers, blades, specifications, dimensions, tests, bend tests, designation, marking.

Price based on 2 pages
