

INTERNATIONAL ELECTROTECHNICAL COMMISSION

**IEC 63171-4**  
Edition 1.0 2022-09

**CONNECTORS FOR ELECTRICAL AND ELECTRONIC EQUIPMENT –**

**Part 4: Detail specification for shielded or unshielded, free and fixed connectors with up to 8 ways for balanced single-pair data transmission with current carrying capacity – Mechanical mating information, pin assignment and additional requirements for Type 4**

**CORRIGENDUM 1**

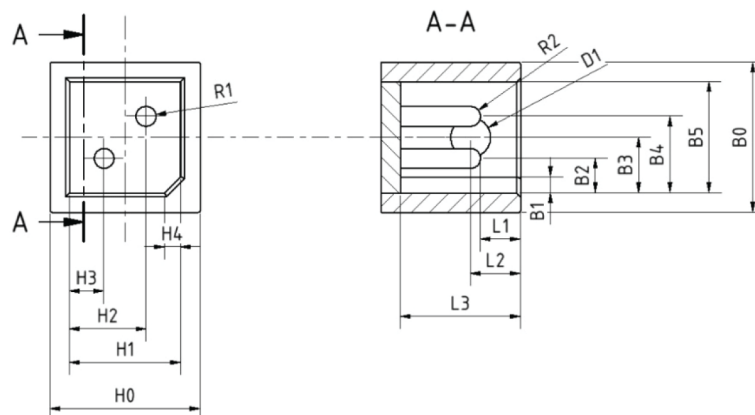
**1 Scope**

Replace the first sentence with the following new sentence:

This part of IEC 63171 covers shielded and unshielded free and fixed multimedia connectors (MMC) for data transmission with frequencies up to 3 000 MHz for shielded and up to 600 MHz for unshielded connectors, both with current-carrying capacity with up to 8 ways.

**4.1.3.1 Shielded and unshielded fixed connector – MMC 1P**

Replace existing Figure 3 with the following new Figure 3:



IEC

Replace existing Table 2 with the following new Table 2:

*Dimensions in mm*

Letter	Minimum	Nominal	Maximum
H0	7,50	7,50	7,55
H1	5,55	5,55	5,60
H2	3,81	3,83	3,85
H3	1,71	1,73	1,75
H4	-	0,80	0,85
L1	-	2,00	-
L2	-	2,50	-
L3	-	6,00	-
B0	7,50	7,50	7,55
B1	0,80	0,80	0,85
B2	1,71	1,73	1,75
B3	2,78	2,78	2,805
B4	3,81	3,83	3,85
B5	-	5,55	5,60
D1	-	2,00	-
R1	0,97	1,00	-
R2	-	0,50	-

**4.1.3.2 Shielded and unshielded fixed connector – MMC 2P**

Replace existing Figure 4 with the following new Figure 4:

