

INTERNATIONAL ELECTROTECHNICAL COMMISSION
COMMISSION ÉLECTROTECHNIQUE INTERNATIONALE

IEC 61340-2-3
Edition 2.0 2016-06

IEC 61340-2-3
Édition 2.0 2016-06

ELECTROSTATICS –

**Part 2-3: Methods of test for determining the
resistance and resistivity of solid materials
used to avoid electrostatic charge accumulation**

ÉLECTROSTATIQUE –

**Partie 2-3: Méthodes d'essais pour la
détermination de la résistance et de la résistivité
des matériaux solides destinés à éviter les
charges électrostatiques**

CORRIGENDUM 1

Corrections to the French version appear after the English text.

Les corrections à la version française sont données après le texte anglais.

A.1.1 Fixture and procedure for lower resistance range

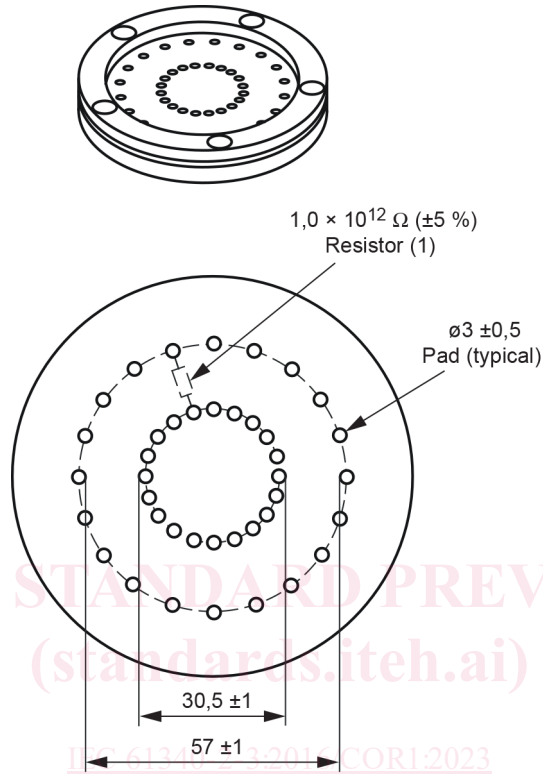
In the third sentence of the first paragraph of A.1.1, replace the value " $(1,00 \pm 0,01) \times 10^6 \Omega$ " with the following value " $(1,00 \pm 0,01) \times 10^7 \Omega$ ".

A.1.2 Fixture and procedure for upper resistance range and determination of electrification period

In the last sentence of the first paragraph of A.1.2, replace "IEC 60167" with "IEC 62631-3-3".

Figure A.2 – Upper resistance range verification fixture for surface resistance measurements

Replace the figure label indicating the value of the resistance range "10 × 10¹² Ω (±5 %) Resistor (1)" with the label "1,0 × 10¹² Ω (±5 %) Resistor (1)", as shown:



iTeh STANDARD PREVIEW
(standards.iteh.ai)

IEC 61340-2-3:2016/COR1:2023

<https://standards.iteh.ai/catalog/standards/sist/fd264a91-246a-42f9-a744-15307a3ce694/iec-61340-2-3-2016-cor1-2023> IEC