



**SLOVENSKI STANDARD**  
**SIST EN ISO 75-1:2000**

01-maj-2000

---

Dc`ja Yfb]a Uhf]U]!'8c`c Ub`YHYa dYfUfi fYi dc[ ]VUdcX`cVfYa Yb]hj ]c`!`%XY.  
Gd`cýbUdfYg\_i gbUa YfcXUf]GC`+) !%% - ' Ł

Plastics - Determination of temperature of deflection under load - Part 1: General test method (ISO 75-1:1993)

Kunststoffe - Bestimmung der Wärmeformbeständigkeitstemperatur - Teil 1: Allgemeine Prüfmethode (ISO 75-1:1993)

Plastiques - Détermination de la température de fléchissement sous charge - Partie 1: Méthode générale d'essai (ISO 75-1:1993)

**ITIH STANDARD PREVIEW**  
**(standards.iteh.ai)**  
**SIST EN ISO 75-1:2000**  
<https://standards.iteh.ai/catalog/standards/sist/9d18e462-2ddf-4568-87d4-87e57109d096/sist-en-iso-75-1-2000>

**Ta slovenski standard je istoveten z: EN ISO 75-1:1996**

---

**ICS:**

83.080.01 Polimerni materiali na splošno      Plastics in general

**SIST EN ISO 75-1:2000**      en

**iTeh STANDARD PREVIEW**  
**(standards.iteh.ai)**

SIST EN ISO 75-1:2000

<https://standards.iteh.ai/catalog/standards/sist/9d18e462-2ddf-4568-87d4-87e57109d096/sist-en-iso-75-1-2000>

EUROPEAN STANDARD

EN ISO 75-1

NORME EUROPÉENNE

EUROPÄISCHE NORM

February 1996

ICS 83.080

Descriptors: see ISO document

English version

**Plastics - Determination of temperature of  
deflection under load - Part 1: General test  
method (ISO 75-1:1993)**

Plastiques - Détermination de la température de  
fléchissement sous charge - Partie 1: Méthode  
générale d'essai (ISO 75-1:1993)

Kunststoffe - Bestimmung der  
Wärmeformbeständigkeitstemperatur - Teil 1:  
Allgemeine Prüfmethode (ISO 75-1:1993)

(standards.iteh.ai)

[SIST EN ISO 75-1:2000](https://standards.iteh.ai/catalog/standards/sist/9d18e462-2ddf-4568-87d4-87e57109d096/sist-en-iso-75-1-2000)

<https://standards.iteh.ai/catalog/standards/sist/9d18e462-2ddf-4568-87d4-87e57109d096/sist-en-iso-75-1-2000>

This European Standard was approved by CEN on 1994-12-14. CEN members are bound to comply with the CEN/CENELEC Internal Regulations which stipulate the conditions for giving this European Standard the status of a national standard without any alteration.

Up-to-date lists and bibliographical references concerning such national standards may be obtained on application to the Central Secretariat or to any CEN member.

The European Standards exist in three official versions (English, French, German). A version in any other language made by translation under the responsibility of a CEN member into its own language and notified to the Central Secretariat has the same status as the official versions.

CEN members are the national standards bodies of Austria, Belgium, Denmark, Finland, France, Germany, Greece, Iceland, Ireland, Italy, Luxembourg, Netherlands, Norway, Portugal, Spain, Sweden, Switzerland and United Kingdom.

## CEN

European Committee for Standardization  
Comité Européen de Normalisation  
Europäisches Komitee für Normung

Central Secretariat: rue de Stassart, 36 B-1050 Brussels

## Foreword

The text of the International Standard from Technical Committee ISO/TC 61 "Plastics" of the International Organization for Standardization (ISO) has been taken over as a European Standard by Technical Committee CEN/TC 249 "Plastics", the secretariat of which is held by IBN .

This European Standard shall be given the status of a national standard, either by publication of an identical text or by endorsement, at the latest by August 1996, and conflicting national standards shall be withdrawn at the latest by August 1996.

According to the CEN/CENELEC Internal Regulations, the national standards organizations of the following countries are bound to implement this European Standard: Austria, Belgium, Denmark, Finland, France, Germany, Greece, Iceland, Ireland, Italy, Luxembourg, Netherlands, Norway, Portugal, Spain, Sweden, Switzerland and the United Kingdom.

## Endorsement notice

The text of the International Standard ISO 75-1:1993 has been approved by CEN as a European Standard without any modification.

**STANDARD PREVIEW**  
(standards.iteh.ai)

<https://standards.iteh.ai/catalog/standards/sist/9d18e462-2ddf-4568-87d4-87e57109d096/sist-en-iso-75-1-2000>



INTERNATIONAL  
STANDARD

**ISO**  
**75-1**

First edition  
1993-09-15

---

---

**Plastics — Determination of temperature  
of deflection under load —**

**Part 1:**

General test method

(standards.iteh.ai)

*Plastiques — Détermination de la température de fléchissement sous charge*  
*Partie 1: Méthode générale d'essai*



Reference number  
ISO 75-1:1993(E)

**ISO 75-1:1993(E)****Foreword**

ISO (the International Organization for Standardization) is a worldwide federation of national standards bodies (ISO member bodies). The work of preparing International Standards is normally carried out through ISO technical committees. Each member body interested in a subject for which a technical committee has been established has the right to be represented on that committee. International organizations, governmental and non-governmental, in liaison with ISO, also take part in the work. ISO collaborates closely with the International Electrotechnical Commission (IEC) on all matters of electrotechnical standardization.

Draft International Standards adopted by the technical committees are circulated to the member bodies for voting. Publication as an International Standard requires approval by at least 75 % of the member bodies casting a vote.

International Standard ISO 75-1 was prepared by Technical Committee ISO/TC 61, *Plastics*, Sub-Committee SC 2, *Mechanical properties*.

Together with the other parts, it cancels and replaces the second edition of ISO 75 (ISO 75:1987), which has been technically revised.

ISO 75 consists of the following parts, under the general title *Plastics* — *Determination of temperature of deflection under load*:

- *Part 1: General test method*
- *Part 2: Plastics and ebonite*
- *Part 3: High-strength thermosetting laminates and long-fibre-reinforced plastics*

© ISO 1993

All rights reserved. No part of this publication may be reproduced or utilized in any form or by any means, electronic or mechanical, including photocopying and microfilm, without permission in writing from the publisher.

International Organization for Standardization  
Case Postale 56 • CH-1211 Genève 20 • Switzerland

Printed in Switzerland

# Plastics — Determination of temperature of deflection under load —

## Part 1: General test method

### 1 Scope

ISO 291:1977, *Plastics — Standard atmospheres for conditioning and testing*.

**1.1** ISO 75 specifies methods for the determination of the temperature of deflection under load (bending stress under three-point loading) of different types of material.

**1.2** Part 1 of ISO 75 gives a general test method, part 2 gives specific requirements for plastics and ebonite and part 3 gives specific requirements for high-strength thermosetting laminates and long-fibre-reinforced plastics.

**1.3** The methods specified are suitable for assessing the behaviour of the different types of material at elevated temperature under load at a specified rate of temperature increase. The results obtained do not necessarily represent maximum use temperatures, because in practice essential factors such as time, loading conditions and nominal surface stress may differ from the test conditions.

### 2 Normative reference

The following standard contains provisions which, through reference in this text, constitute provisions of this part of ISO 75. At the time of publication, the edition indicated was valid. All standards are subject to revision, and parties to agreements based on this part of ISO 75 are encouraged to investigate the possibility of applying the most recent edition of the standard indicated below. Members of IEC and ISO maintain registers of currently valid International Standards.

### 3 Definitions

For the purposes of this and the other parts of ISO 75, the following definitions apply.

**3.1 deflection:** The distance, at mid-span, over which the top or bottom surface of a test specimen deviates, during flexure, from its original position. It is expressed in millimetres.

**3.2 standard deflection  $s$ :** The deflection which will result in the flexural strain, at the surface of the test specimen, which is specified in the relevant part of this International Standard. The standard deflection depends on the dimensions and position of the test specimen and the span between the supports. It is expressed in millimetres.

**3.3 temperature of deflection under load,  $T_f$ :** The temperature at which the deflection of the test specimen reaches the standard deflection as the temperature is increased. It is expressed in degrees Celsius.

**3.4 flexural strain:** The nominal fractional change in length of an element at the surface of the test specimen at mid-span. It is expressed as a dimensionless quantity.

**3.5 flexural stress,  $\sigma$ :** The nominal stress at the surface of the test specimen at mid-span. It is expressed in megapascals.

## 4 Principle

A standard test specimen is subjected to a bending stress to produce one of the nominal surface stresses given in the relevant part of this International Standard. The temperature is raised at a uniform rate, and the temperature at which a specified deflection occurs is measured.

## 5 Apparatus

### 5.1 Means of applying a bending stress

The apparatus shall be constructed essentially as shown in figure 1. It consists of a rigid metal frame in which a rod can move freely in the vertical direction. The rod is fitted with a weight-carrying plate and a loading edge. The base of the frame is fitted with test-specimen supports; these and the vertical members of the frame are made of a metal having the same coefficient of linear expansion as the rod.

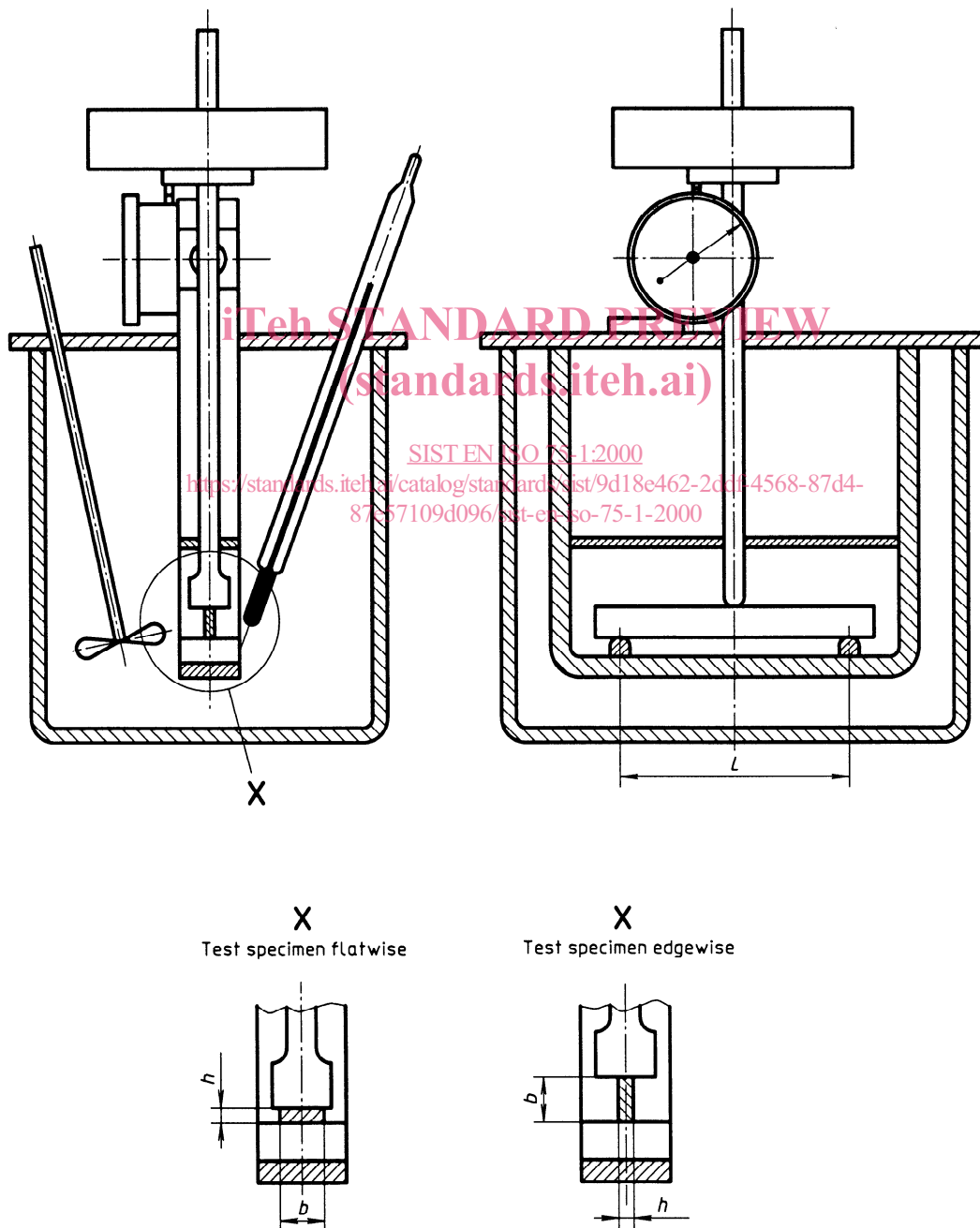


Figure 1 — Typical apparatus for determination of temperature of deflection under load



The test-specimen supports consist of cylindrical metal pieces at a distance apart defined in the relevant part of this International Standard and with their lines of contact with the specimen in a horizontal plane. The supports are fitted to the base of the frame in such a way that the vertical force applied to the test specimen by the loading edge is midway between them. The contact edges of the supports are parallel to the loading edge and at right angles to the length direction of a test specimen placed symmetrically across them. The contact edges of the supports and loading edge are rounded to a radius of  $3,0 \text{ mm} \pm 0,2 \text{ mm}$  and shall be longer than the width of the test specimen.

Unless vertical parts of the apparatus have the same coefficient of linear expansion, the differential change in the length of these parts introduces an error in the reading of the apparent deflection of the test specimen. A blank test shall be made on each apparatus using a test specimen made of rigid material having a low coefficient of expansion. The blank test shall cover the temperature ranges to be used in the actual determination, and a correction term shall be determined for each temperature. If the correction term is  $0,010 \text{ mm}$  or greater, its value and algebraic sign shall be noted and the term applied to each test by adding it algebraically to the reading of the apparent deflection of the test specimen.

NOTE 1 Invar and borosilicate glass have been found suitable as materials for the test specimen in the blank test.

## 5.2 Heating equipment

The heating equipment may be a heating bath containing a suitable liquid, a fluidized bed or an oven with forced circulation of air or nitrogen.

The heating equipment shall be provided with a control unit so that the temperature can be raised at a uniform rate of  $120 \text{ }^\circ\text{C/h} \pm 10 \text{ }^\circ\text{C/h}$ . This heating rate shall be considered to be met if, over every 6-min interval during the test, the temperature change is  $12 \text{ }^\circ\text{C} \pm 1 \text{ }^\circ\text{C}$ .

The difference in the temperature of the heat-transfer medium between the ends and the centre of the test specimen shall not exceed  $1 \text{ }^\circ\text{C}$ .

The apparatus may be designed to stop heating automatically and sound an alarm when the specified deflection has been reached.

NOTE 2 The heat-transfer media given above vary in their thermal conductivity. To prevent significant errors in the results, the thermometer or other temperature-measuring instrument used must be carefully adjusted in accordance with 8.2.

**5.2.1 Heating bath**, containing a suitable liquid in which the test specimen can be immersed to a depth of at least  $50 \text{ mm}$ . An efficient stirrer shall be provided. It shall be established that the liquid chosen is

stable over the temperature range used and does not affect the material under test, for example causing it to swell or crack.

NOTE 3 Liquid paraffin, transformer oil, glycerol and silicone oils are suitable liquid heat-transfer media, but other liquids may be used.

**5.2.2 Oven**, with forced air or nitrogen circulation of about 60 times per minute; with a volume of not less than 10 litres per specimen holder (see 5.1), and with the air or nitrogen flow directed horizontally, perpendicular to the length of the specimen, at a speed of  $1,5 \text{ m/s}$  to  $2 \text{ m/s}$ .

NOTE 4 Commercially available ovens are often fitted with suitable air or nitrogen circulation equipment. If not, the necessary heat-transfer conditions may be ensured by fitting guide-vanes to direct the air or nitrogen flow horizontally across the specimen.

## 5.3 Weights

A set of weights shall be provided so that the test specimen can be loaded to the required nominal surface stress, calculated as specified in 8.1.

NOTE 5 It may be necessary to adjust these weights in  $1 \text{ g}$  increments.

## 5.4 Temperature-measuring instrument

This may be a mercury-in-glass thermometer of the partial-immersion type, or any other suitable temperature-measuring instrument, with an appropriate range and reading to  $0,5 \text{ }^\circ\text{C}$  or less. Mercury-in-glass thermometers shall be calibrated at the depth of immersion required by 8.2.

## 5.5 Deflection-measuring instrument

This may be a calibrated micrometer dial gauge, or any other suitable measuring instrument, capable of measuring to  $0,01 \text{ mm}$  the deflection at the midpoint between the test-specimen supports.

NOTE 6 In certain types of apparatus, the force  $F_s$  exerted by the dial gauge spring acts upwards and therefore reduces the downward force exerted by the weighted rod, while, in other types,  $F_s$  acts downwards and augments that exerted by the weighted rod. In such cases, it is necessary to determine the magnitude and direction of  $F_s$  so as to be able to compensate for it (see 8.1).

Since, in certain dial gauges,  $F_s$  varies considerably over the range of the instrument, it should be measured in that part of the range in which the instrument is to be used.

## 5.6 Micrometers and gauges

These are used to measure the main dimensions of the test specimens. They shall be accurate to  $0,01 \text{ mm}$ .